



PARTS DRAWING



**Earlex / Wagner 240v
Wallpaper Stripper**

**Product Code:
WPS240V**



Serial Number Range:

From:

To:

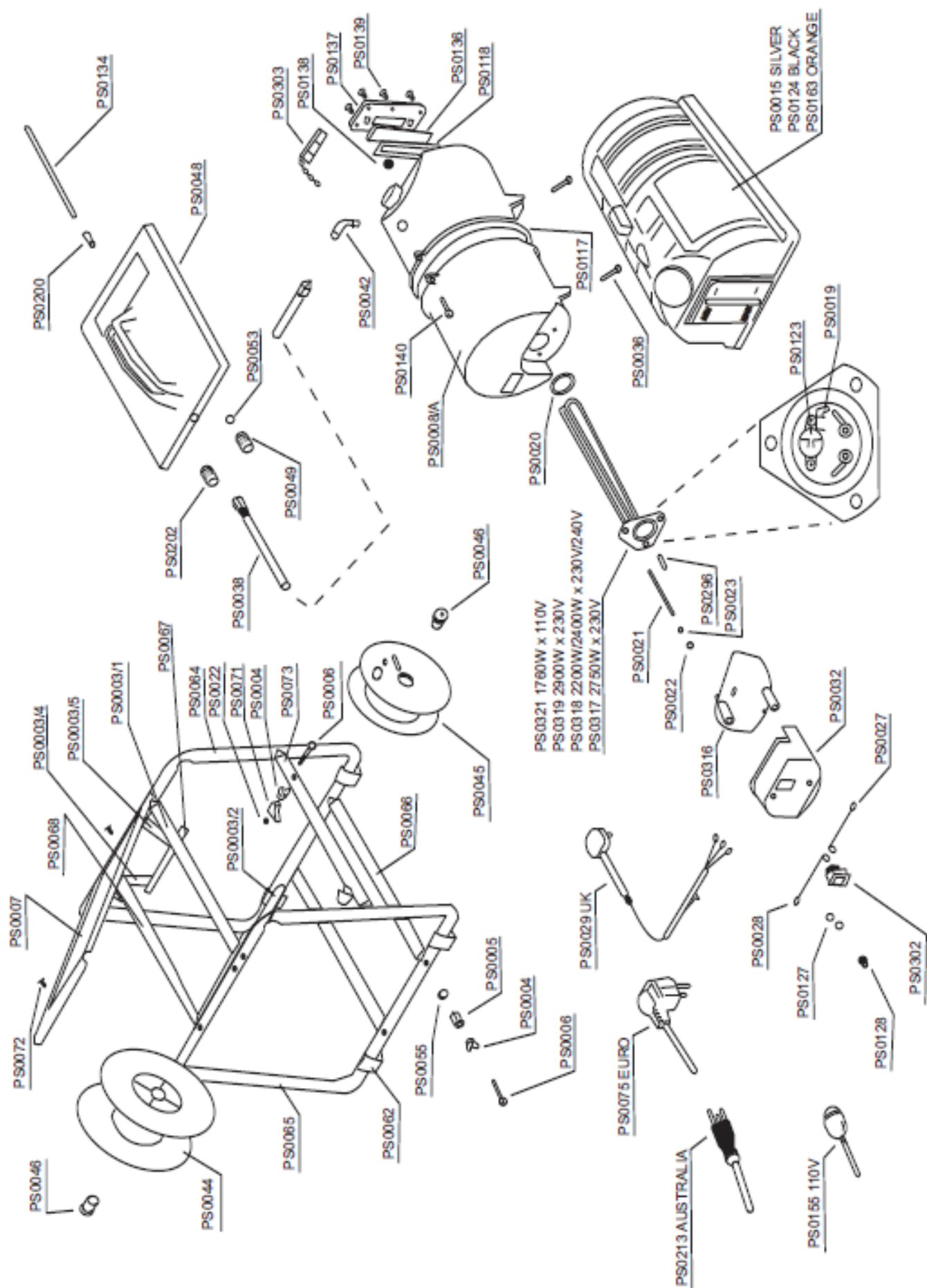
Year Of Manufacture:

***Please note, when ordering online via our website if the part number is not recognised,
please Email spares@hscgroupuk.co.uk or Telephone 0115 946 1988**

KEEP THIS BOOKLET FOR FUTURE REFERENCE

Nottingham: 0115 946 1988 • London: 0208 830 3333 ✉ Nottingham: sales@hscgroupuk.co.uk • London: sean@hscgroupuk.co.uk 🌐 www.hscgroupuk.co.uk

The Hire Supply Company Terms & Conditions Apply At All Time E&OE



Part Number	New Part No	Description
PS0003/1	NLA	NO LONGER AVAILABLE
PS0003/2	NLA	NO LONGER AVAILABLE
PS0003/4	NLA	NO LONGER AVAILABLE
PS0003/5	NLA	NO LONGER AVAILABLE
PS0004	PSACC03	EARLEX TUBE CONNECTOR KIT (PS0004,PS0005,PS0055) (PSACC03)
PS0005	PSACC03	EARLEX TUBE CONNECTOR KIT (PS0004,PS0005,PS0055) (PSACC03)
PS0006	NLA	NO LONGER AVAILABLE
PS0007		EARLEX STAND SEAT COVER (PS0007)
PS0008/A	PSACC02	EARLEX TANK KIT (PS0004,PS0286,PS0021,PS0117,) (PSACC02)
PS0019	PS0402	EARLEX THERMAL FUSE COMPLETE WITH WIRE (PS0402)
PS0020	PS0404	EARLEX 240V 2750W ELEMENT (PS0020, PS0027, PS0028, PS0123, PS0402)
PS0021	PSACC02	EARLEX TANK KIT (PS0004,PS0286,PS0021,PS0117,) (PSACC02)
PS0022	NLA	NO LONGER AVAILABLE
PS0023	NLA	NO LONGER AVAILABLE
PS0027	PS0404	EARLEX 240V 2750W ELEMENT (PS0020, PS0027, PS0028, PS0123, PS0402)
PS0028	PS0404	EARLEX 240V 2750W ELEMENT (PS0020, PS0027, PS0028, PS0123, PS0402)
PS0029		EARLEX 5MTR 240V 13AMP MAINS CABLE (PS0029)
PS0032	PSACC01	EARLEX COVER/SHIELD KIT (PS0316, PS0032 & PS0302) (PSACC01)
PS0036		EARLEX M6 CSK SCREW TANK TO FRAME (PS0036)
PS0038		EARLEX 5MTR RUBBER STEAM HOSE (PS0038)
PS0042		EARLEX ELBOW TANK TO HOSE (PS0042)
PS0044	NLA	NO LONGER AVAILABLE
PS0045		EARLEX MAINS CABLE REEL (PS0045)
PS0046	PS0332	EARLEX END CAP / STOPPER (PS0332)
PS0048	PS0242	EARLEX PRO STEAMPLATE C/W SWIVEL (PS0242)
PS0049	PS0242	EARLEX PRO STEAMPLATE C/W SWIVEL (PS0242)
PS0053	PS0242	EARLEX PRO STEAMPLATE C/W SWIVEL (PS0242)
PS0055	PSACC03	EARLEX TUBE CONNECTOR KIT (PS0004,PS0005,PS0055) (PSACC03)
PS0062		EARLEX FOOT MOULDING (PS0062)
PS0064	NLA	NO LONGER AVAILABLE
PS0065	NLA	NO LONGER AVAILABLE
PS0066	NLA	NO LONGER AVAILABLE
PS0067	NLA	NO LONGER AVAILABLE
PS0068	NLA	NO LONGER AVAILABLE
PS0071	PS0242	EARLEX PRO STEAMPLATE C/W SWIVEL (PS0242)
PS0072		EARLEX PUSH CLIP FOR STEP (PS0072)
PS0073	NLA	NO LONGER AVAILABLE
PS0075	NLA	NO LONGER AVAILABLE
PS0088	PS0404	EARLEX 240V 2750W ELEMENT (PS0020, PS0027, PS0028, PS0123, PS0402)
PS0093	NLA	NO LONGER AVAILABLE
PS0117	PSACC02	EARLEX TANK KIT (PS0004,PS0286,PS0021,PS0117,) (PSACC02)
PS0118	PS0193	EARLEX SIGHT GLASS KIT (PS0138, PS0136, PS0118, PS0137, PS0139) (PS0193)
PS0123		EARLEX THERMOSTAT (PS0123)
PS0124		EARLEX TANK COVER BLACK (PS0124)
PS0127		EARLEX HEXAGONAL LOCK NUT (PKT OF 4) (PS0127)
PS0128		EARLEX PROTECTIVE CAP M6 (PS0128)
PS0134	PS0242	EARLEX PRO STEAMPLATE C/W SWIVEL (PS0242)
PS0136	PS0193	EARLEX SIGHT GLASS KIT (PS0138, PS0136, PS0118, PS0137, PS0139) (PS0193)
PS0137	PS0193	EARLEX SIGHT GLASS KIT (PS0138, PS0136, PS0118, PS0137, PS0139) (PS0193)
PS0138	PS0193	EARLEX SIGHT GLASS KIT (PS0138, PS0136, PS0118, PS0137, PS0139) (PS0193)
PS0139	PS0193	EARLEX SIGHT GLASS KIT (PS0138, PS0136, PS0118, PS0137, PS0139) (PS0193)
PS0140		EARLEX SCREW FOR TANK JOINT (PS0140)
PS0200	PS0242	EARLEX PRO STEAMPLATE C/W SWIVEL (PS0242)
PS0202	PS0242	EARLEX PRO STEAMPLATE C/W SWIVEL (PS0242)
PS0283	ROCKERSWITCHRED	ELITE HEAT ROCKERSWITCH (RED)
PS0296	PSACC02	EARLEX TANK KIT (PS0004,PS0286,PS0021,PS0117,) (PSACC02)
PS0302	ROCKERSWITCHRED	ELITE HEAT ROCKERSWITCH (RED)
PS0303		EARLEX PRESSURE CAP PLASTIC (PS0303)
PS0316	PSACC01	EARLEX COVER/SHIELD KIT (PS0316, PS0032 & PS0302) (PSACC01)



Recycling



ENVIRONMENTAL PROTECTION: Please recycle any unwanted materials as opposed to disposing them as general waste. It is recommended the original is retained and used to store the product when not in use for prolonged periods of time. If this is not applicable ensure the materials are sorted and recycled in accordance with local regulations.



SPECIFICATION CHANGE: It is our policy to continually improve products to ensure these meet the rigours of the industry we serve. Therefore, as such we reserve the right to alter specifications, data, components & parts with-out prior notice.

WARRANTY: Please refer to the manufactures terms & conditions.

IMPORTANT: No liability will be accepted for the incorrect use of this product.

KEEP THIS BOOKLET FOR FUTURE REFERENCE

📞 Nottingham: 0115 946 1988 • London: 0208 830 3333 ✉ Nottingham: sales@hscgroupuk.co.uk • London: sean@hscgroupuk.co.uk 🌐 www.hscgroupuk.co.uk

The Hire Supply Company Terms & Conditions Apply At All Time E&OE