



# PARTS DRAWING



**Muba 600KG Beamlifter**

**Product Code:  
BEAMLIFT**

Serial Number Range:

From:

To:

Year Of Manufacture:

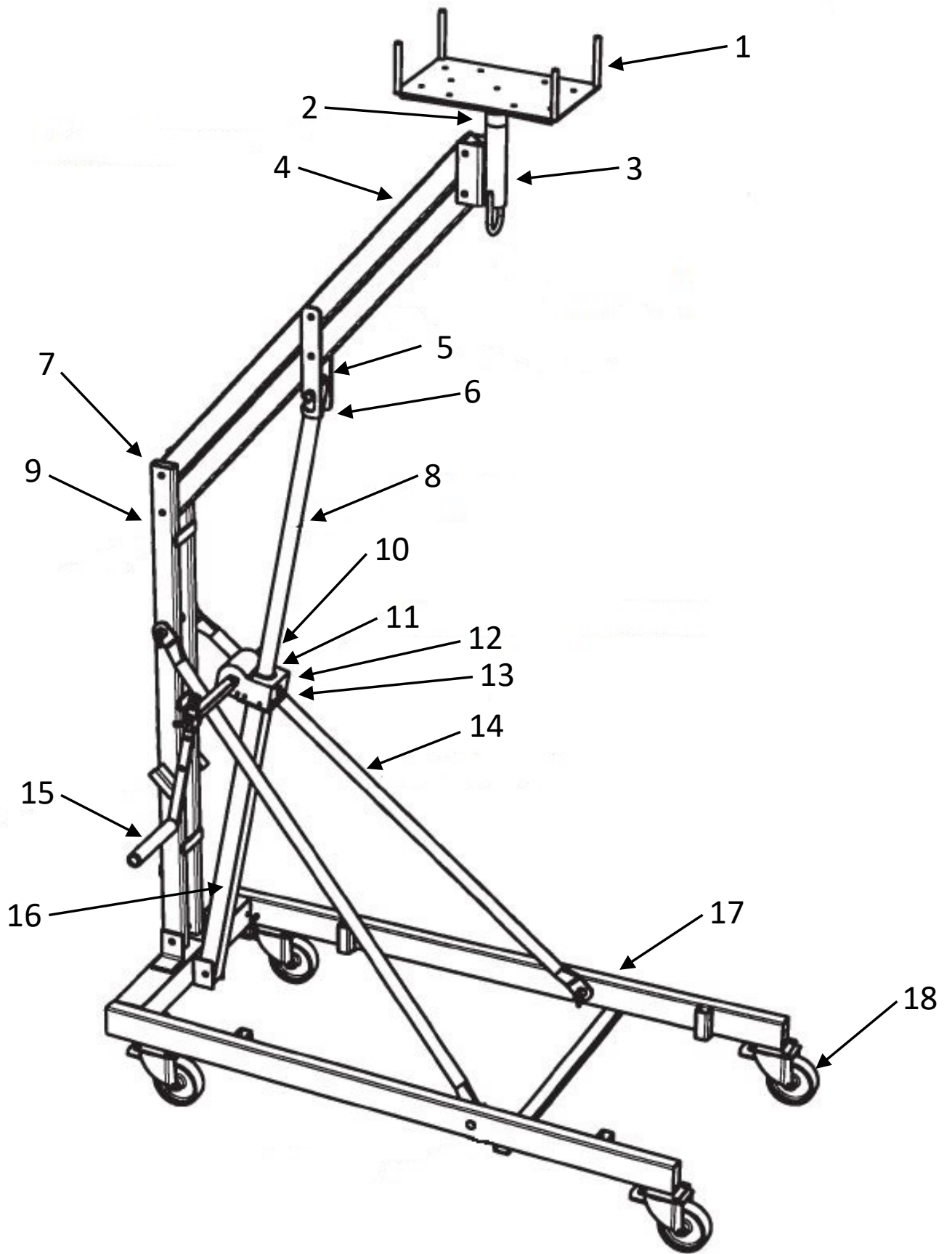


**\*Please note, when ordering online via our website if the part number is not recognised, please Email [spares@hscgroupuk.co.uk](mailto:spares@hscgroupuk.co.uk) or Telephone 0115 946 1988**

**KEEP THIS BOOKLET FOR FUTURE REFERENCE**

Nottingham: 0115 946 1988 • London: 0208 830 3333 ✉ Nottingham: [sales@hscgroupuk.co.uk](mailto:sales@hscgroupuk.co.uk) • London: [sean@hscgroupuk.co.uk](mailto:sean@hscgroupuk.co.uk) 🌐 [www.hscgroupuk.co.uk](http://www.hscgroupuk.co.uk)

The Hire Supply Company Terms & Conditions Apply At All Time E&OE



<b>Item No</b>	<b>Part Number</b>	<b>Description</b>
<b>1</b>	BEAMLIFTPLATFORM	BEAMLIFTER PLATFORM (01510)
<b>2</b>	BEAMLIFTEXT	BEAMLIFTER HEIGHT ADAPTOR (01507)
<b>3</b>	BEAMLIFTBRACKET	BEAMLIFTER BRACKET (01987)
<b>4</b>	BEAMLIFTLOADARM	BEAMLIFTER LOAD ARM (01936)
<b>5</b>	BEAMLIFTSIDEPLATE	BEAMLIFTER LOAD ARM SIDE PLATE (PAIR) (01962)
<b>6</b>	BEAMLIFTSPACER	BEAMLIFTER SPACER TUBE FOR SPINDLE (02713)
<b>7</b>	BEAMLIFTSAFETYPIN	BEAMLIFTER SAFETY PIN / LOAD ARM PIN (01564)
<b>8</b>	BEAMLIFTSCREW	BEAMLIFTER SCREW THREAD (01656)
<b>9</b>	BEAMLIFTSTAND	BEAMLIFTER MAIN STAND (12356)
<b>10</b>	BEAMLIFTSRING	BEAMLIFTER SAFETY RING (02043)
<b>11</b>	BEAMLIFTGEARBOX	BEAMLIFTER COMPLETE GEARBOX (01615)
<b>12</b>	BEAMLIFTBEARING	BEAMLIFTER GEARBOX BEARING (02398)
<b>13</b>	BEAMLIFTGEAR	BEAMLIFTER BIG GEAR (02086)
<b>14</b>	BEAMLIFTSUPPORT	BEAMLIFTER DIAGONAL SUPPORT (01509)
<b>15</b>	BEAMLIFTHANDLE	BEAMLIFTER HANDLE (01506)
<b>16</b>	BEAMLIFTSCREWCASE	BEAMLIFTER GUIDE TUBE FOR SCREW THREAD (02502)
<b>17</b>	BEAMLIFTBASE	BEAMLIFTER UNDERCARRIAGE (02816)
<b>18</b>	BEAMLIFTWHEEL	BEAMLIFTER WHEEL (01266)
	BEAMLIFTDOC	BEAMLIFTER DOCUMENT HOLDER C/W FIXINGS



## Recycling



**ENVIRONMENTAL PROTECTION:** Please recycle any unwanted materials as opposed to disposing them as general waste. It is recommended the original is retained and used to store the product when not in use for prolonged periods of time. If this is not applicable ensure the materials are sorted and recycled in accordance with local regulations.



**SPECIFICATION CHANGE:** It is our policy to continually improve products to ensure these meet the rigours of the industry we serve. Therefore, as such we reserve the right to alter specifications, data, components & parts with-out prior notice.

**WARRANTY:** Please refer to the manufactures terms & conditions.

**IMPORTANT:** No liability will be accepted for the incorrect use of this product.

### **KEEP THIS BOOKLET FOR FUTURE REFERENCE**

📞 Nottingham: 0115 946 1988 • London: 0208 830 3333    ✉ Nottingham: [sales@hscgroupuk.co.uk](mailto:sales@hscgroupuk.co.uk) • London: [sean@hscgroupuk.co.uk](mailto:sean@hscgroupuk.co.uk)    🌐 [www.hscgroupuk.co.uk](http://www.hscgroupuk.co.uk)

The Hire Supply Company Terms & Conditions Apply At All Time E&OE