



PARTS DRAWING



Master 18kw 3 Phase Fan Heater

**Product Code:
B18EPR**



Serial Number Range:

From:

To:

Year Of Manufacture: 2015

***Please note, when ordering online via our website if the part number is not recognised, please Email spares@hscgroupuk.co.uk or Telephone 0115 946 1988**

KEEP THIS BOOKLET FOR FUTURE REFERENCE

Nottingham: 0115 946 1988 • London: 0208 830 3333 ✉ Nottingham: sales@hscgroupuk.co.uk • London: sean@hscgroupuk.co.uk 🌐 www.hscgroupuk.co.uk

The Hire Supply Company Terms & Conditions Apply At All Time E&OE

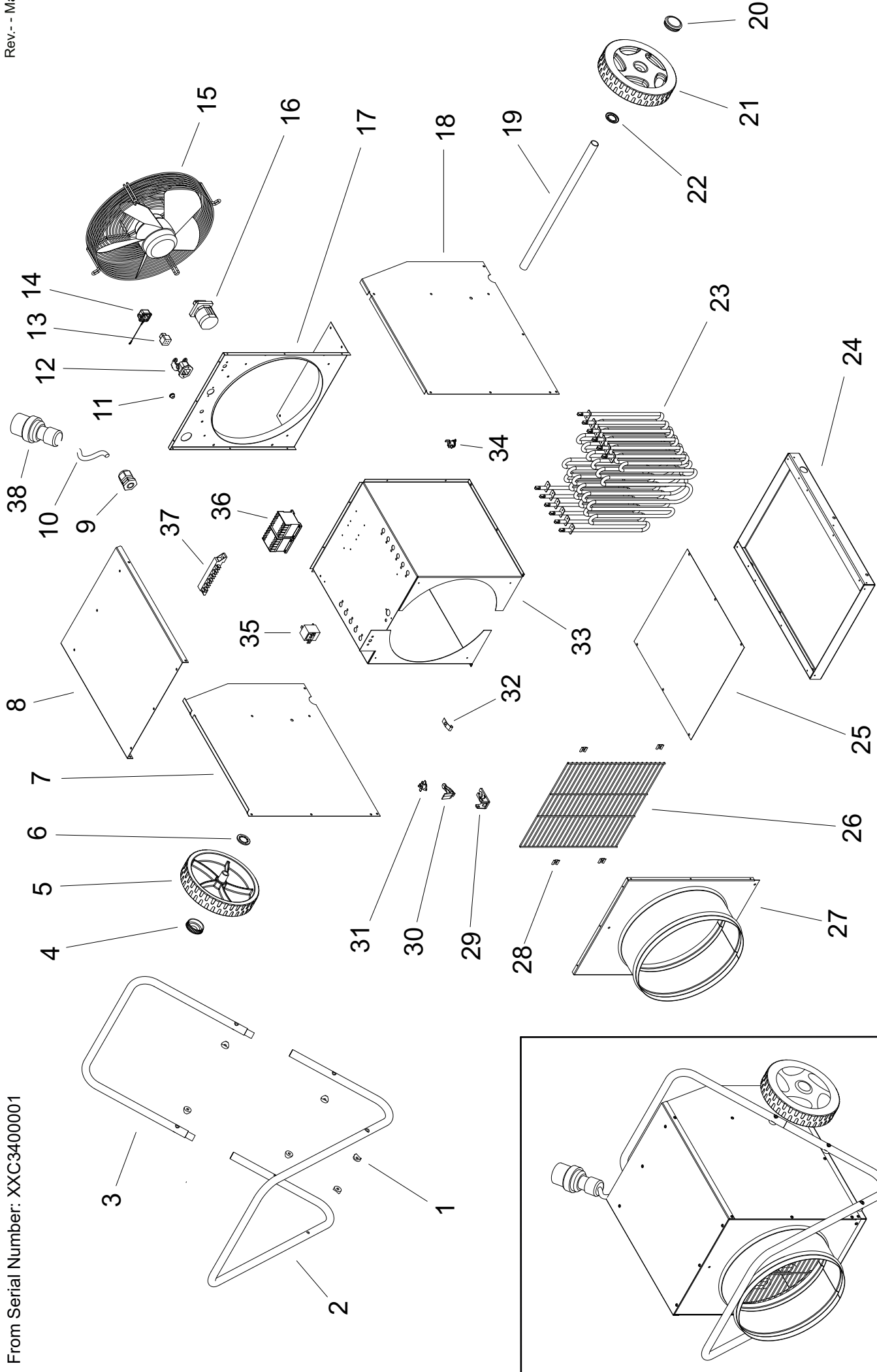
MODEL B 18 EPR

UNIT 1

ILLUSTRATED PARTS BREAKDOWN

From Serial Number: XXC3400001

Rev. -- May 2015



MODEL B 18EPR

UNIT 2

PARTS LIST

Pos.	Code N°	Description	Rev. - - June 2015
1	4513.633	HANDLE SPACER	
2	4511.209	FRONT HANDLE	
3	4511.208	REAR HANDLE	
4	4111.480	WHEEL CAP	
5	4111.916	WHEEL	
6	4111.072	WHEEL BLOCK WASHER	
7	4511.754	RIGHT PANEL	
8	4511.756	UPPER PANEL	
9	4511.620	STRAIN RELIEF	
10	4510.445	POWER CORD	
11	4511.621	WIRE PROTECTION	
12	4514.611	ROOM THERMOSTAT SOCKET	
13	4161.400	ROOM THERMOSTAT PLUG	
14	4162.467	ROOM THERMOSTAT CAP	
15	4510.319	MOTOR-FAN	
16	4510.429	SELECTOR	
17	4511.757	REAR PANEL	
18	4511.755	LEFT PANEL	
19	4511.766	AXLE	
20	4111.480	WHEEL CAP	
21	4111.916	WHEEL	
22	4111.072	WHEEL BLOCK WASHER	
23	4510.372	RESISTANCE	
24	4511.752	LOWER PANEL	
25	4511.206	LOWER THERMAL SHIELD	
26	4511.215	FRONT GRILL	
27	4511.759	FRONT PANEL	
28	4150.540	CLIP	
29	4510.611	RESET BASE	
30	4510.612	RESET PIN	
31	4510.435	RESET THERMOSTAT	
32	4510.872	BULB CLIP	
33	4511.758	THERMAL SHIELD	
34	4510.404	TEMPERATURE SENSOR	
35	4165.552	THERMOSTAT	
36	4510.454	CONTACTOR	
37	4510.414	TERMINAL BOX	
38	4510.447	PLUG 5P	



Recycling



ENVIRONMENTAL PROTECTION: Please recycle any unwanted materials as opposed to disposing them as general waste. It is recommended the original is retained and used to store the product when not in use for prolonged periods of time. If this is not applicable ensure the materials are sorted and recycled in accordance with local regulations.



SPECIFICATION CHANGE: It is our policy to continually improve products to ensure these meet the rigours of the industry we serve. Therefore, as such we reserve the right to alter specifications, data, components & parts with-out prior notice.

WARRANTY: Please refer to the manufactures terms & conditions.

IMPORTANT: No liability will be accepted for the incorrect use of this product.

KEEP THIS BOOKLET FOR FUTURE REFERENCE

📞 Nottingham: 0115 946 1988 • London: 0208 830 3333 ✉ Nottingham: sales@hscgroupuk.co.uk • London: sean@hscgroupuk.co.uk 🌐 www.hscgroupuk.co.uk

The Hire Supply Company Terms & Conditions Apply At All Time E&OE