



PARTS DRAWING

MCE MASTER
CLIMATE SOLUTIONS

**Master 240v Direct
Oil-Fired Heater HP**

**Product Code:
B180**



Serial Number Range:

From:

To:

Year Of Manufacture: 2010

***Please note, when ordering online via our website if the part number is not recognised,
please Email spares@hscgroupuk.co.uk or Telephone 0115 946 1988**

KEEP THIS BOOKLET FOR FUTURE REFERENCE

Nottingham: 0115 946 1988 • London: 0208 830 3333 ✉ Nottingham: sales@hscgroupuk.co.uk • London: sean@hscgroupuk.co.uk 🌐 www.hscgroupuk.co.uk

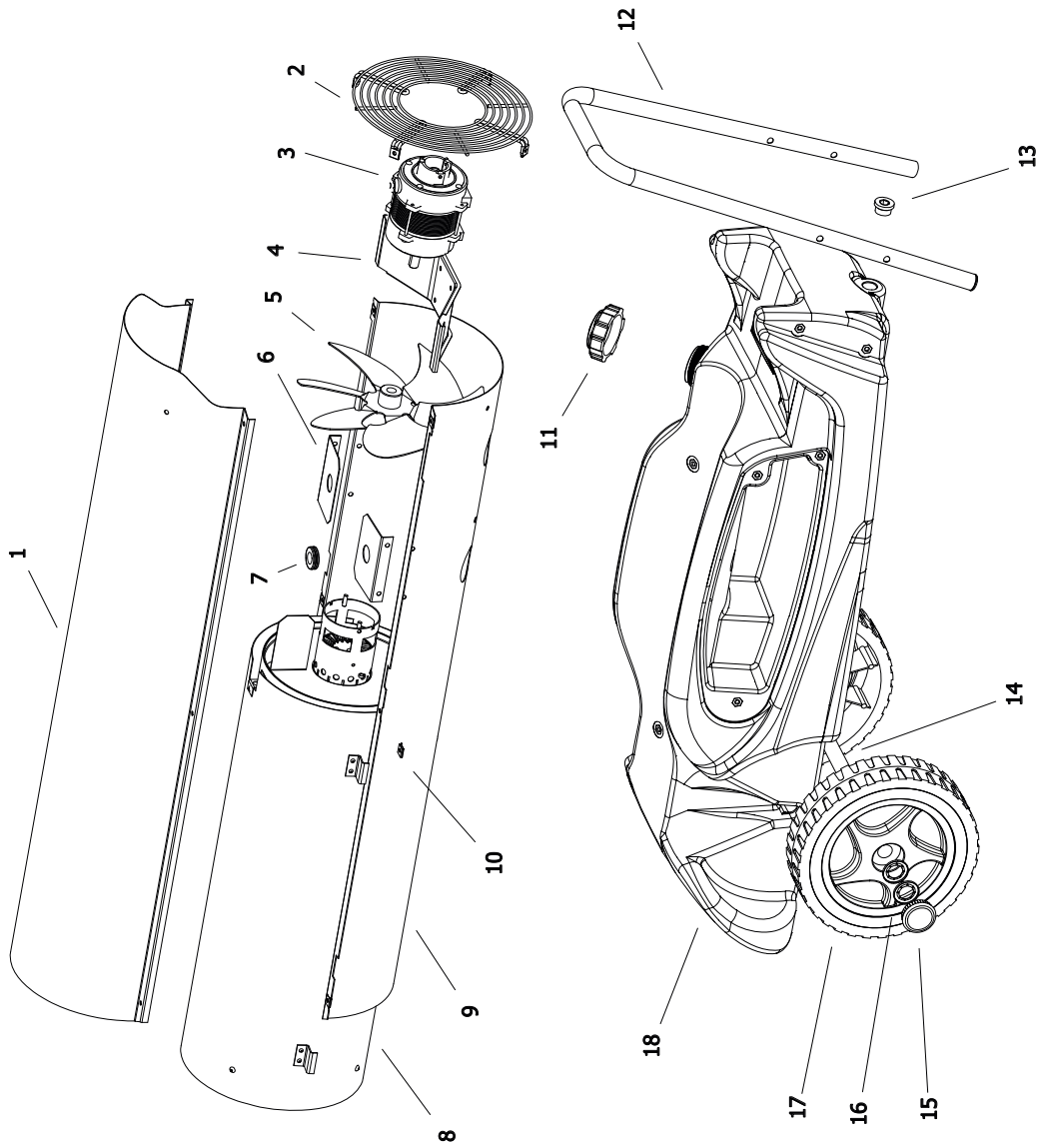
The Hire Supply Company Terms & Conditions Apply At All Time E&OE

MODEL B180 E

UNIT 1

ILLUSTRATED PARTS BREAKDOWN

Edizione 2010
Rev. A

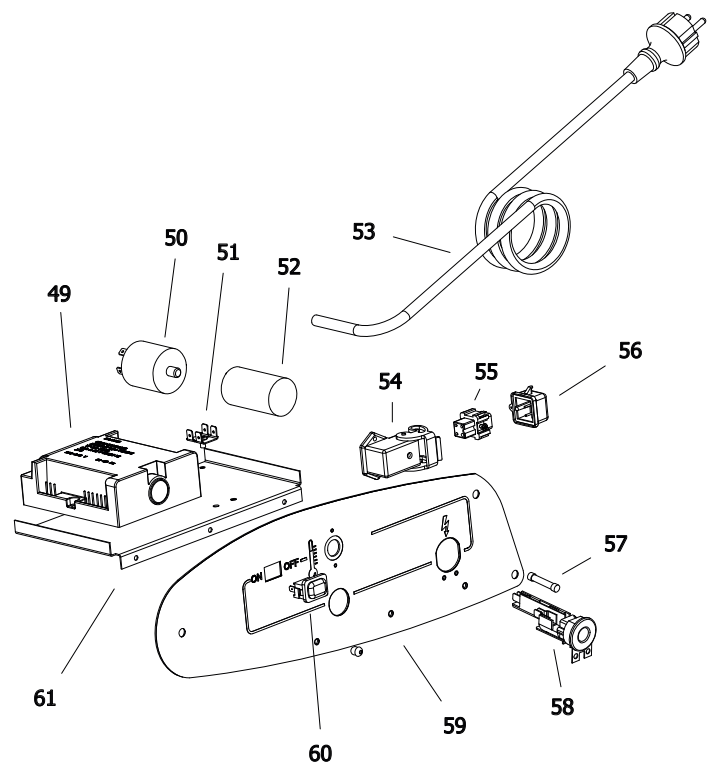
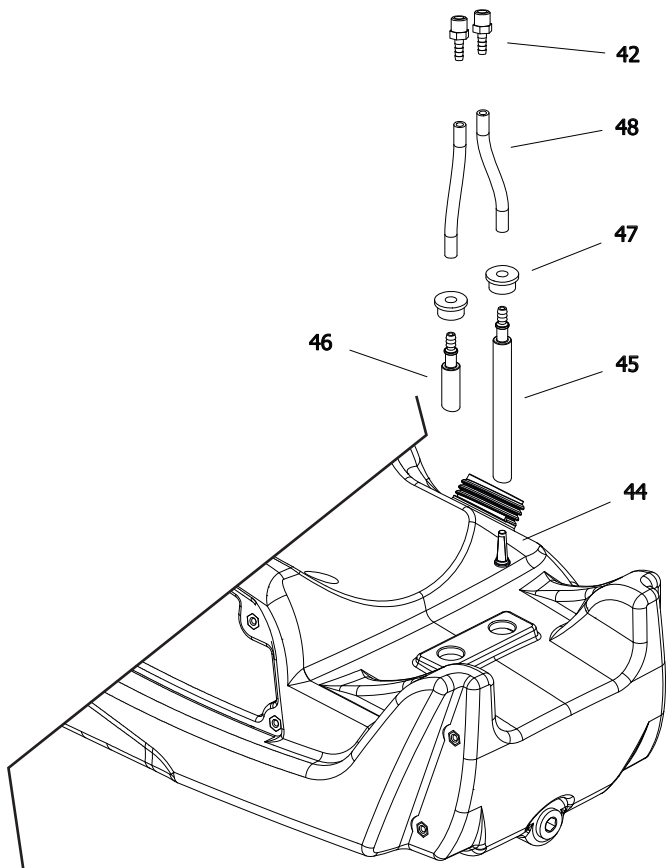
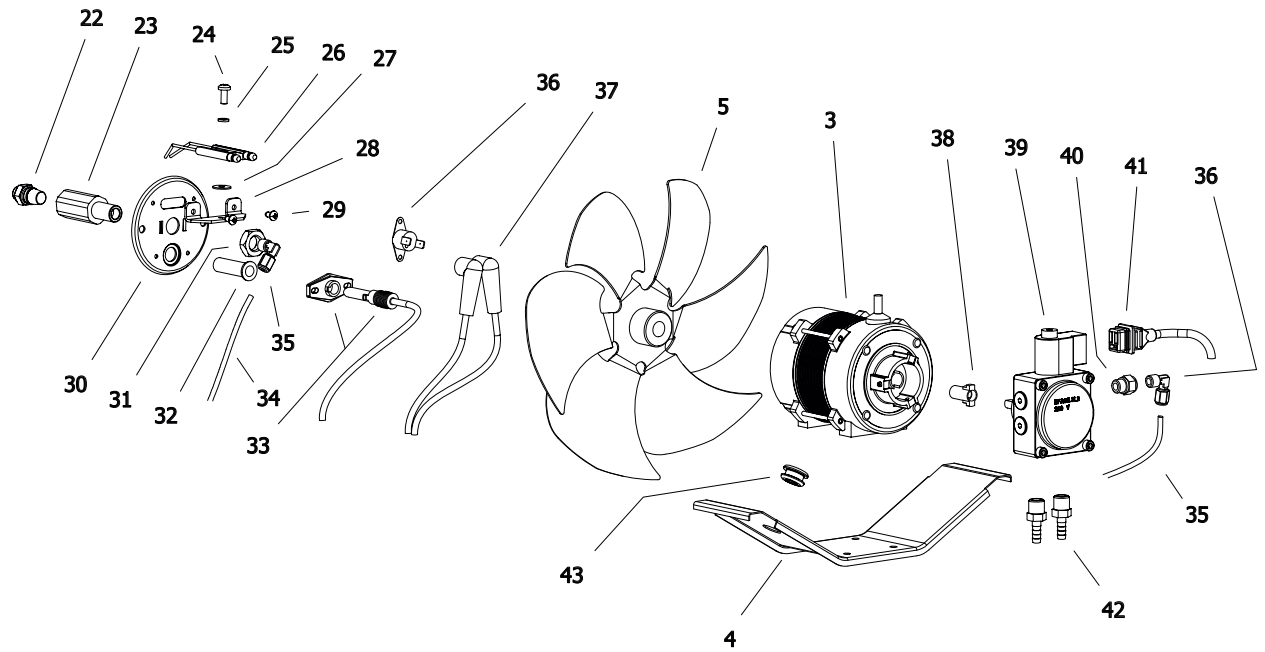


MODEL B180 E

UNIT 2

ILLUSTRATED PARTS BREAKDOWN

Edizione 2010
Rev. A



MODEL B 180

Pos.	Code NR	Description
1	S/R	UPPER SHELL
2	4032.836	GRID
3	4032.815	MOTOR
4	4032.835	MOTOR BRACKET
5	4032.814	FAN
6	4033.028	AIR FLAP
7	4160.646	CABLE PROTECTION
8	4032.993	COMBUSTION CHAMBER
9	S/R	LOWER SHELL
10	4104.170	CLIP NUT
11	4032.846	FUEL TANK CAP
12	4032.811	HANDLES
13	4032.813	DRAIN PLUG
14	4032.809	AXLE
15	4111.480	WHEEL PLUG
16	4111.072	WHEEL HOLDER
17	4032.094	WHEEL
18	4033.037	TANK
22	4031.163	NOZZLE
23	4032.786	NOZZLE SUPPORT
24	4160.601	SCREW
25	4110.393	WASHER
26	4032.396	BIFILAR ELECTRODE
27	4110.394	WASHER
28	4032.398	ELECTRODE BRACKET
29	4161.434	SCREW 4,2X9,5
30	4032.397	BURNER FLANGE
31	4032.407	NUT M14X6
32	4032.406	PHOTOCELL SUPPORT
33	4033.022	PHOTOCELL
34	4032.854	OIL SUPPLY PIPE
35	4161.140	ELBOW
36	4032.883	LIMIT THERMOSTAT
37	4032.885	HT CABLE
38	4111.081	COUPLING
39	4032.789	PUMP
40	4161.501	NIPPLES
41	4032.905	POWER CORD SOLENOID SPOOL
42	4032.906	FITTING 1/4"

MODEL B 180

Pos.	Code NR	Description
43	4032.947	CABLE PROTECTION
44	4110.356	FUEL FILTER
45	4110.355	FUEL LINE TANK-PUMP
46	4033.038	FUEL PIPE PUMP-TANK
47	4100.541	RUBBER BUSHING
48	4110.032	FUEL LINE
49	4033.017	IGNITION CONTROL ASSEMBLY
50	4032.771	POWER LINE RFI FILTER
51	4160.639	POP RIVET WITH TERMIN. 4 WAY
52	4032.816	CAPACITOR 6,3 μ f
53	4111.153	POWER CORD
54	4111.119	THERMOSTAT SOCKET
56	4162.467	CAP FOR THERMOSTAT SOCKET
57	4032.850	FUSE (6,3X32) 15A
58	4111.038	STRAIN RELIEF
59	4032.823	ELECTR. COMPONENTS PANEL
60	4100.667	ON/OFF SWITCH
61	4032.897	ELECTR. COMPONENTS BASE

S/R – parts on special request only



Recycling



ENVIRONMENTAL PROTECTION: Please recycle any unwanted materials as opposed to disposing them as general waste. It is recommended the original is retained and used to store the product when not in use for prolonged periods of time. If this is not applicable ensure the materials are sorted and recycled in accordance with local regulations.



SPECIFICATION CHANGE: It is our policy to continually improve products to ensure these meet the rigours of the industry we serve. Therefore, as such we reserve the right to alter specifications, data, components & parts with-out prior notice.

WARRANTY: Please refer to the manufactures terms & conditions.

IMPORTANT: No liability will be accepted for the incorrect use of this product.

KEEP THIS BOOKLET FOR FUTURE REFERENCE

📞 Nottingham: 0115 946 1988 • London: 0208 830 3333 ✉ Nottingham: sales@hscgroupuk.co.uk • London: sean@hscgroupuk.co.uk 🌐 www.hscgroupuk.co.uk

The Hire Supply Company Terms & Conditions Apply At All Time E&OE