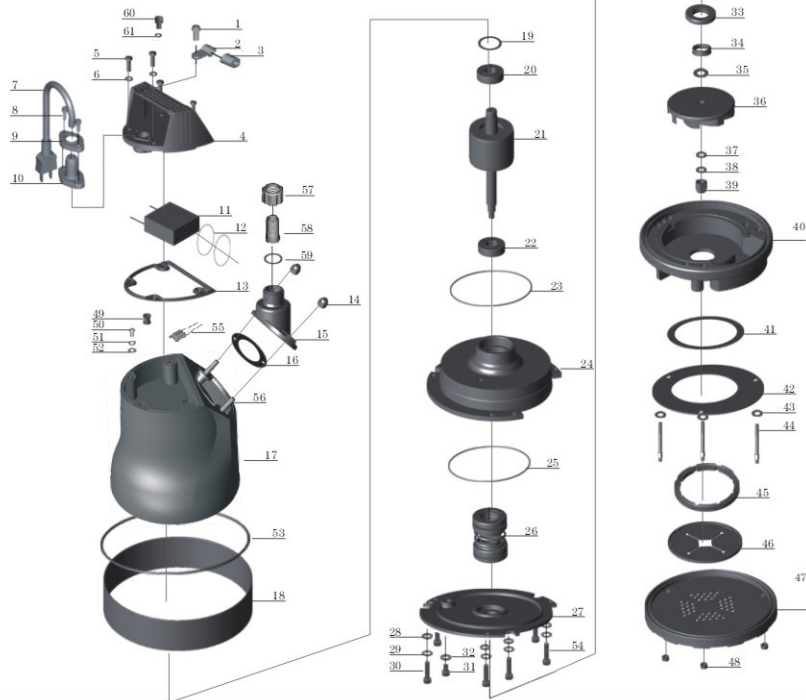


DIAGRAM:

SPK450



Nº.	DESCRIPTION	MATERIAL	Nº.	DESCRIPTION	MATERIAL
1.	Screw	11	32.	O' ring	NBR
2.	Cable presser	11	33.	Oil seal	Combined Pieces
3.	Protector	NR	34.	Lip seal	NBR
4.	Handle	AlSi12	35.	Washer	11
5.	Bolt	11	36.	Impeller	NBR (including stainless insert)
6.	Washer	11	37.	Washer	11
7.	Cable	Combined Pieces	38.	Stretching washer	11
8.	Screw	11	39.	Nut	11
9.	Flange	11	40.	Pump body	NBR
10.	Cable protector	CR	41.	Rubber washert	NBR
11.	Capacitor	Combined Pieces	42.	Pump cover	11
12.	O' ring	NBR	43.	Washer	11
13.	Rubber washer	NBR	44.	Bilateral bolt	11
14.	Nut	11	45.	Valve	NBR
15.	Out-let connector	AlSi12	46.	Valve seat	NBR
16.	Rubber washer	NBR	47.	Base plate	NBR (including stainless insert)
17.	Motor stator	AlSi12	48.	Nut	11
18.	Pump casing guard	11	49.	Line protector	NBR
19.	Undulated washer	1566	50.	Screw	CuZn40
20.	Ball bearing	Combined Pieces	51.	Stretching washer	1566
21.	Rotor	Combined Pieces	52.	Washer	CuZn40
22.	Ball bearing	Combined Pieces	53.	O' ring	NBR
23.	O' ring	NBR	54.	Screw	11
24.	Oil chamber	AlSi12	55.	Thermal protector	Combined Pieces
25.	Rubber washer	NBR	56.	Bilateral bolt	11
26.	Mechanical seal	Alumina/Graphite	57.	Connection nut	ABS
27.	Oil chamber cover	AlSi12	58.	Out-let connector	ABS
28.	Washer	11	59.	O' ring	NBR
29.	Stretching washer	11	60.	Screw	11
30.	Screw	11	61.	O' ring	NBR
31.	Screw	11			

* Sic mechanical seal is available if required