

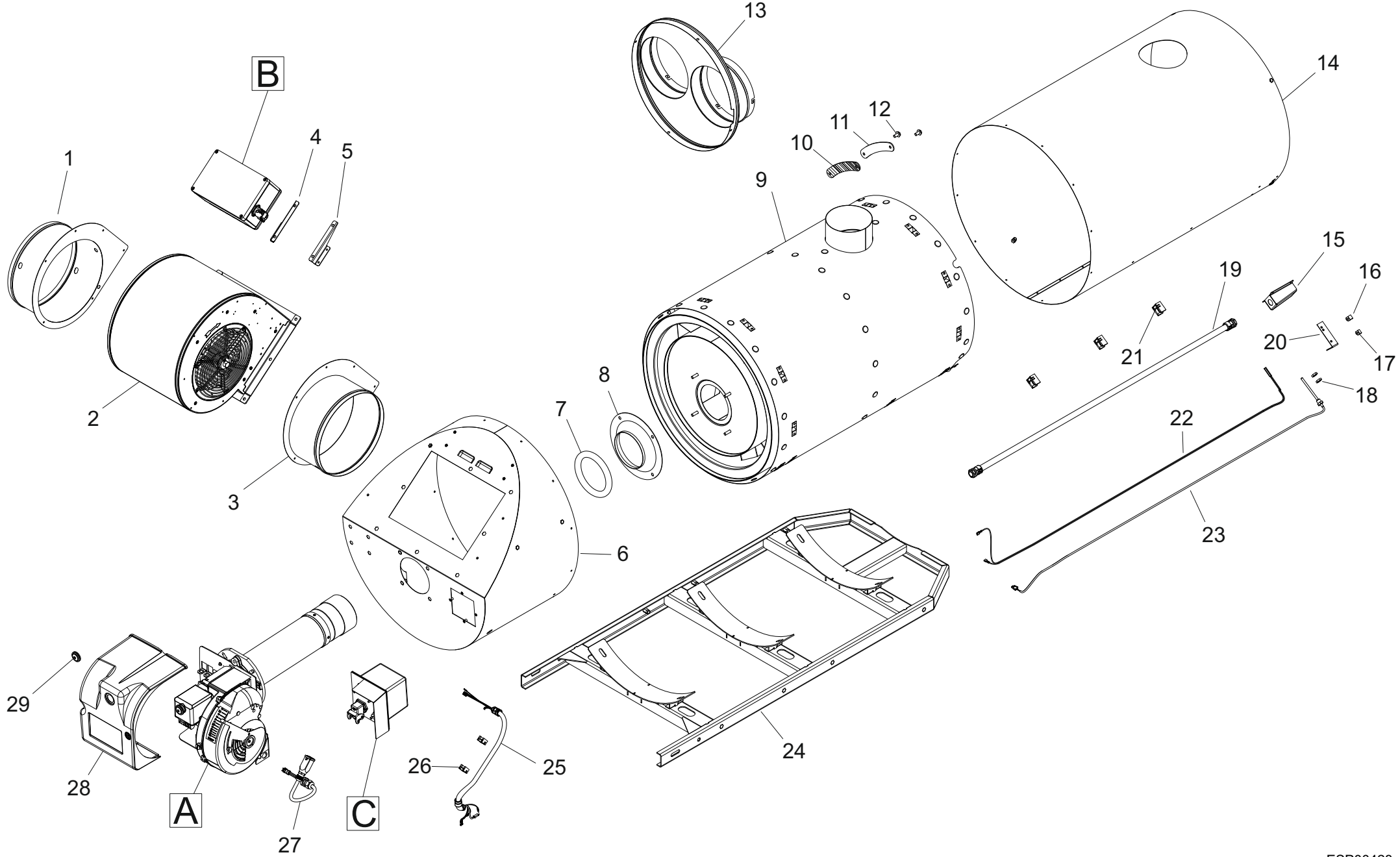
MODEL BV500 R - 230 V / 50 Hz

UNIT 1

ILLUSTRATED PARTS BREAKDOWN

From Serial Number: 11237003912

Rev -- Sept. 2017



MODEL BV500 R - 230 V - 50 Hz

UNIT 2

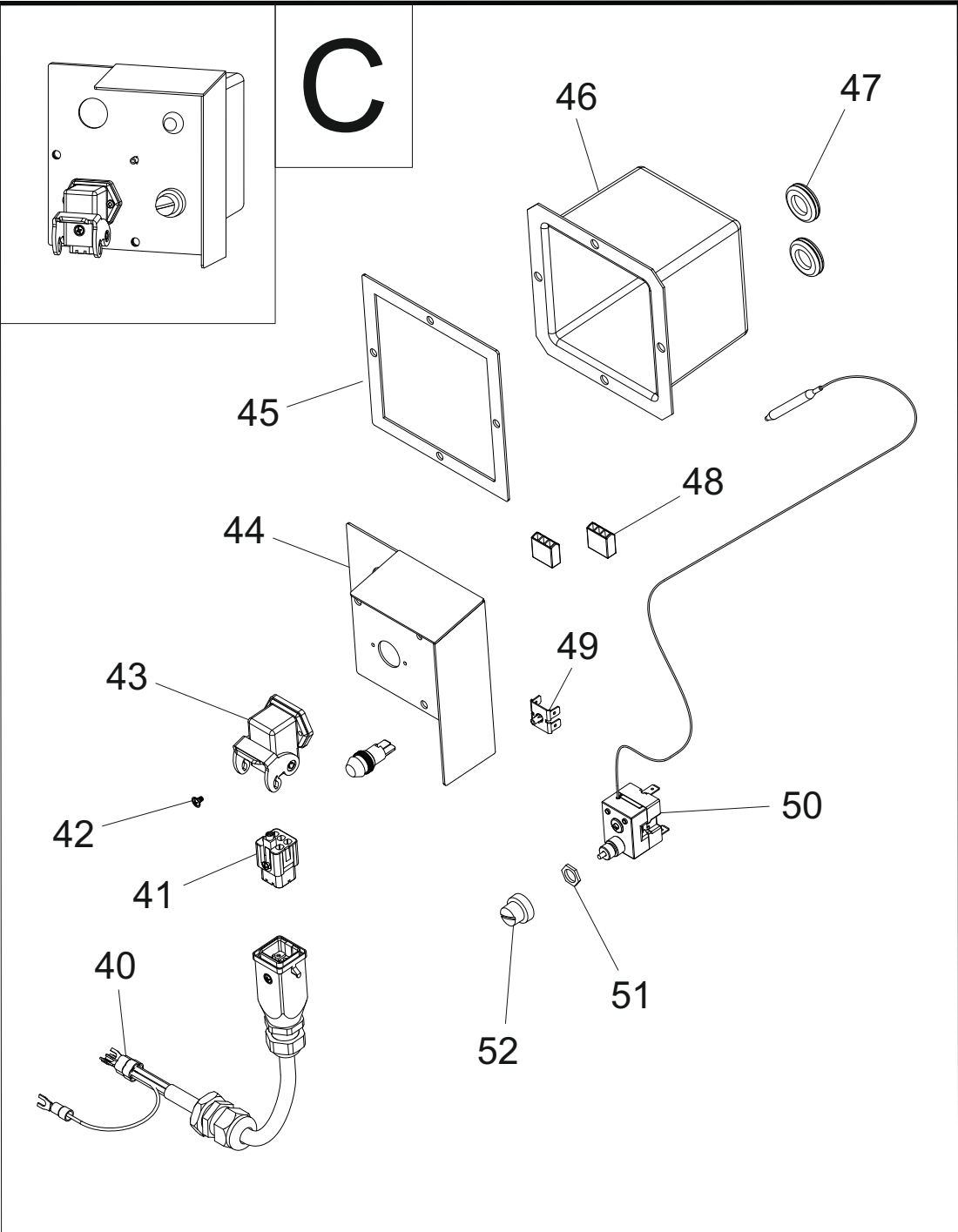
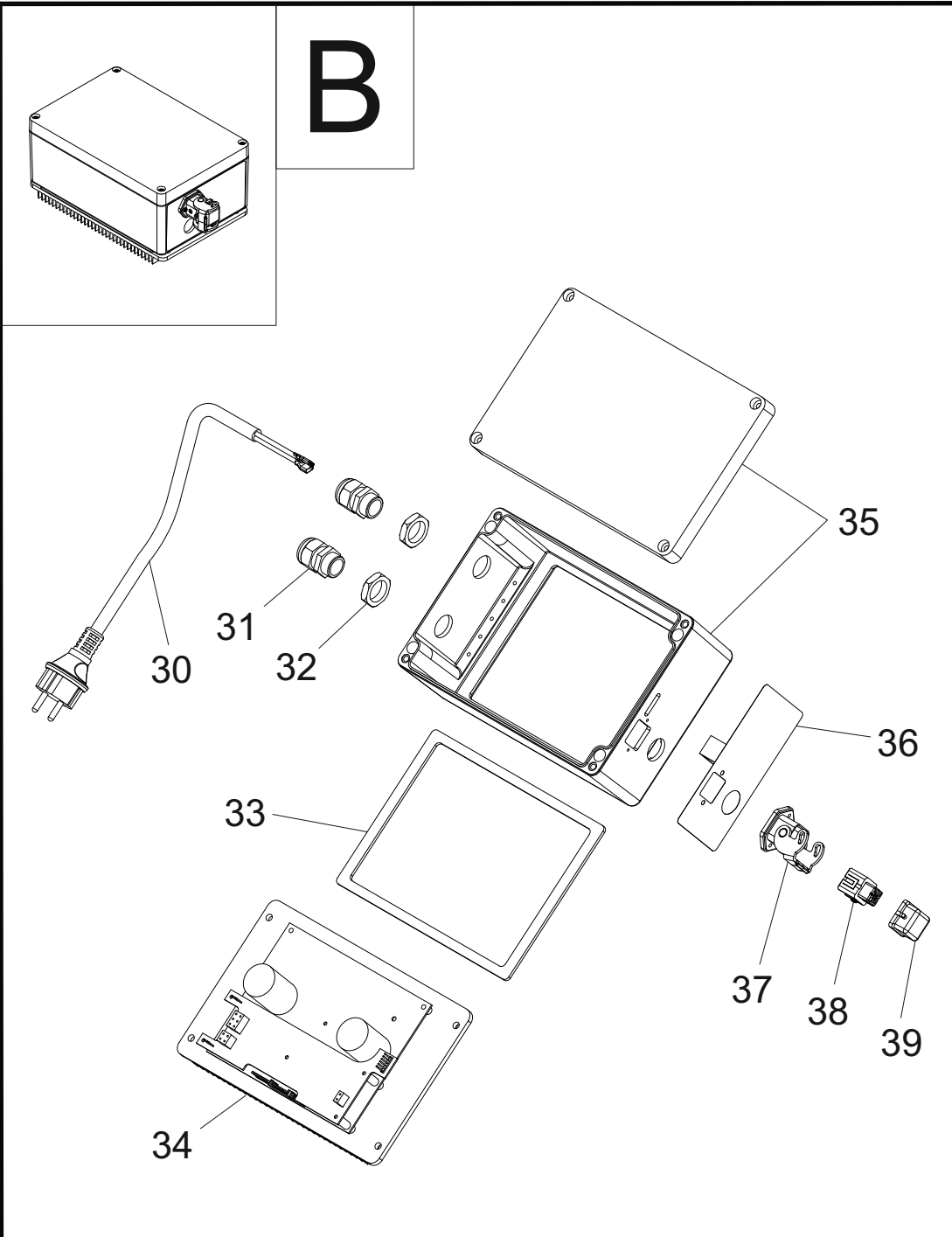
PARTS LIST

Pos.	Code N°	Description	Rev. - - Sep. 2017
1	4034.366	LEFT CANALIZATION FLANGE	
2	4034.323	CENTRIFUGAL FAN	
3	4034.367	RIGHT CANALIZATION FLANGE	
4	4034.624	LEFT CONTROL PANEL SUPPORT	
5	4033.627	RIGHT CONTROL PANEL SUPPORT	
6	4034.328	CENTRIFUGAL MOTOR SUPPORT	
7	4033.642	FIBER ROPE	
8	4033.636	COMPENSATION FLANGE	
9	4033.601	COMBUSTION CHAMBER	
10	4033.618	INSPECTION FIBER GASKET	
11	4033.617	INSPECTION FLANGE	
12	4117.183	SCREW	
13	4034.480	TWO WAY OUTLET PANEL	
	4034.482	ONE WAY OUTLET PANEL	
14	4033.971	EXTERNAL SHELL	
15	4033.710	THERMOSTATS BOX	
16	4033.879	CLIP	
17	4033.700	CLIP	
18	4033.644	NUT	
19	4034.736	EXTERNAL PIPE	
20	4033.814	THERMOSTATS BRACKET	
21	4034.738	PIPE SUPPORT	
22	4033.498	THERMOSTAT	
23	4034.431	NTC SENSOR	
24	4034.209	COMPLETE GLIDE	
25	4034.434	CONTROL BOX WIRE	
26	4034.738	CLAMP	
27	4034.422	BURNER POWER CORD	
28	4033.793	BURNER COVER	
29	4033.803	BURNER RESET CAP	

MODEL BV500 R - 230 V / 50 Hz

UNIT 3

ILLUSTRATED PARTS BREAKDOWN



MODEL BV500 R - 230 V - 50 Hz

UNIT 4

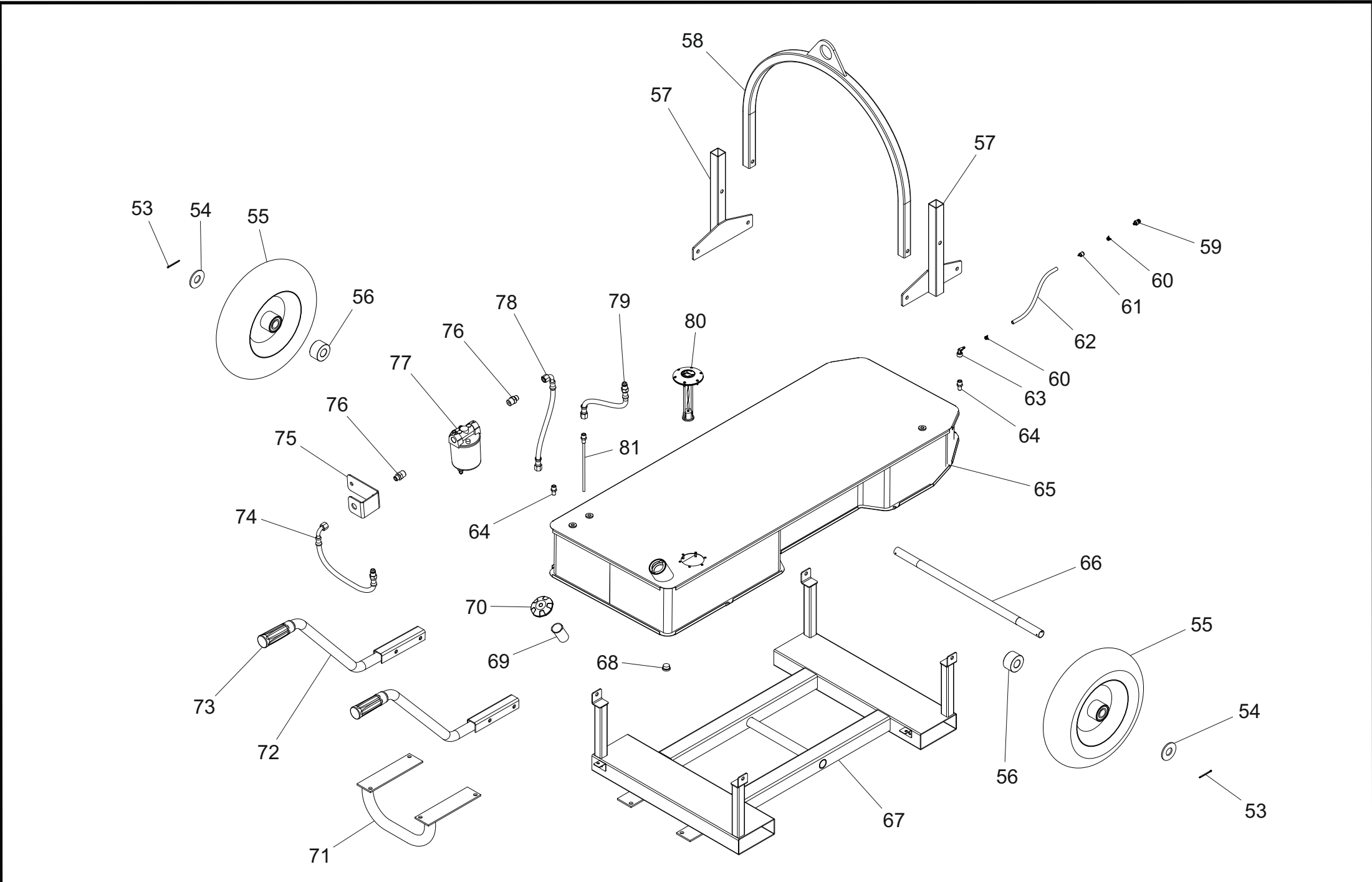
PARTS LIST

Pos.	Code N°	Description	<i>Rev. - - Sep. 2017</i>
30	4034.593	POWER CORD SCHUKO	
31	4150.528	STRAIN RELIEF	
32	4100.656	NUT	
33	4034.654	DRIVER GASKET	
34	4034.485	DRIVER	
35	4034.399	ALUMINIUM BOX	
36	4034.492	POWER BUTTON LABEL	
37	4514.611	ROOM THERMOSTAT SOCKET	
38	4161.400	ROOM THERMOSTAT PLUG	
39	4162.467	ROOM THERMOSTAT CAP	
40	4034.422	BURNER POWER CORD	
41	4034.502	PLUG	
42	4034.501	IP 67 SCREW	
43	4034.500	SOCKET	
44	4034.447	METAL PANEL	
45	4033.784	GASKET	
46	4033.785	PLASTIC COVER	
47	4162.500	RUBBER RING	
48	4117.669	TERMINAL BOX	
49	4160.639	GROUND RIVET	
50	4033.789	SAFETY MANUAL RESET THERMOSTAT	
51	4033.906	NUT	
52	4033.905	SAFETY THERMOSTAT CAP	

MODEL BV500 R - 230 V / 50 Hz

UNIT 5

ILLUSTRATED PARTS BREAKDOWN



MODEL BV500 R - 230 V - 50 Hz

UNIT 6

PARTS LIST

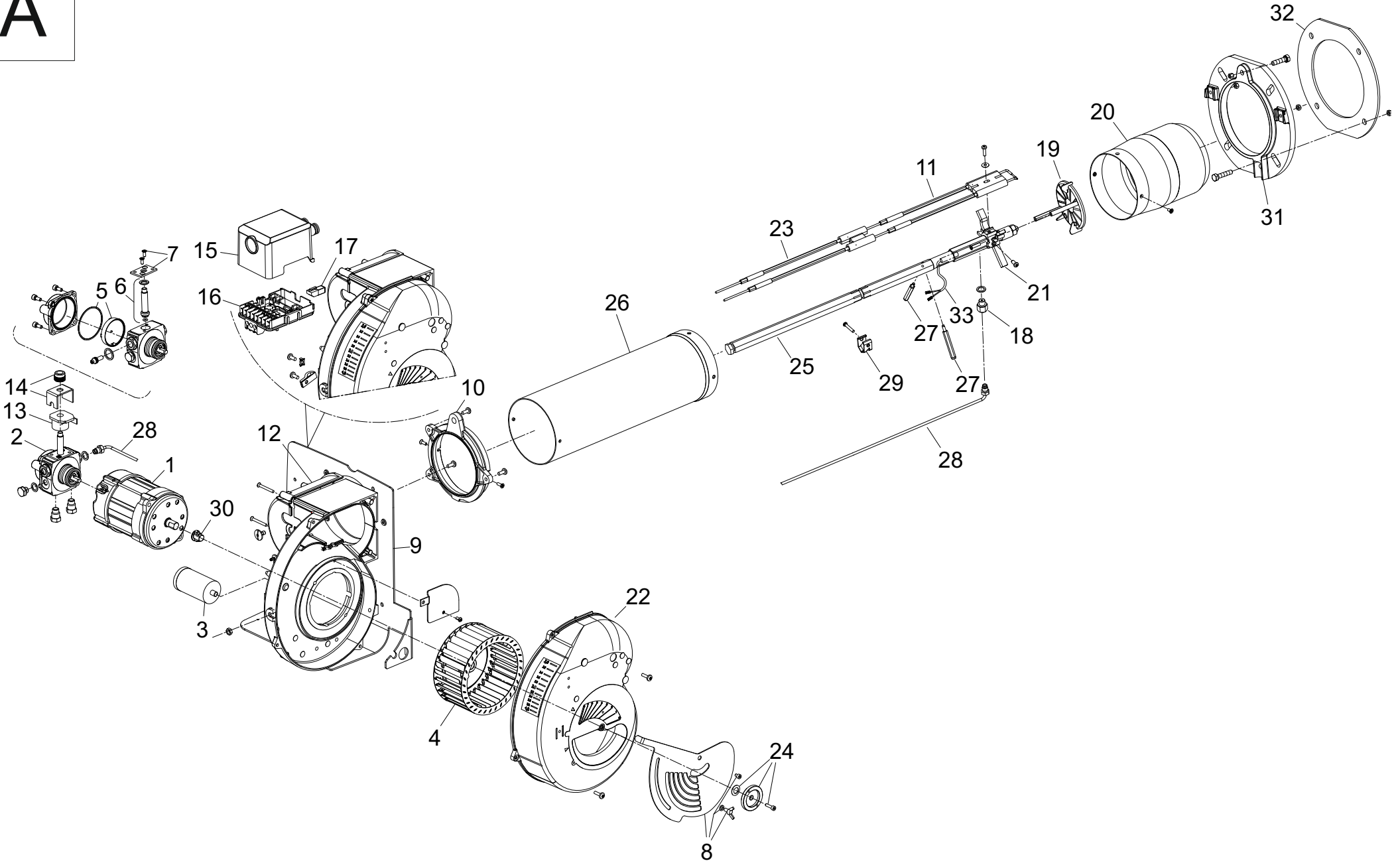
Pos.	Code N°	Description	<i>Rev. - - Sept. 2017</i>
53	4034.214	COTTER PIN	
54	4034.213	WASHER	
55	4034.211	PNEUMATIC WHEEL	
56	4033.470	BUSHING	
57	4034.747	LIFTING FOOT	
58	4034.751	LIFTING ARCH	
59	4260.246	BREATHE VALVE	
60	4110.159	BIFILAR CLIP	
61	4034.309	CLIP	
62	4110.395	RUBBER PIPE	
63	4034.308	90° CONNECTION	
64	4031.068	STRAIGHT CONNECTION	
65	4033.994	TANK	
66	4033.467	AXLE	
67	4033.443	CHASSIS	
68	4032.813	DRAIN PLUG	
69	4033.999	FUEL FILTER	
70	4033.992	TANK CAP	
71	4033.455	CHASSIS FOOT	
72	4033.451	HANDLE	
73	4034.210	PLASTIC HANDLE	
74	4031.061	FUEL PIPE FILTER-BURNER	
75	4033.997	FILTER BRACKET	
76	4034.378	STRAIGHT CONNECTION	
77	4034.317	FUEL FILTER	
78	4034.253	FUEL PIPE TANK-FILTER	
79	4034.300	FUEL PIPE BURNER-TANK	
80	4034.254	FUEL GAUGE	
81	4034.252	SUCTION PIPE	

MODEL BV500 R - 230 V / 50 Hz

UNIT 7

ILLUSTRATED PARTS BREAKDOWN

A



MODEL BV500 R - 230 V - 50 Hz

UNIT 8

PARTS LIST

Pos.	Code N°	Description	<i>Rev. - - Sept. 2017</i>
1	4614.328	MOTOR	
2	4614.270	PUMP	
3	4614.329	CAPACITOR	
4	4614.043	FAN	
5	4614.044	FILTER	
6	4614.047	NEEDLE VALVE	
7	4614.272	PLATE	
8	4614.292	AIR DAMPER	
9	4614.302	FRONT SHIELD	
10	4614.295	COLLAR	
11	4034.196	ELECTRODE	
12	4614.297	COVER	
13	4614.037	COIL	
14	4614.055	SHELL AND KNOB	
15	4614.102	CONTROL BOX	
16	4614.056	TERMINAL BOARD	
17	4614.051	CELL CONNECTOR	
18	4034.197	CONNECTOR	
19	4034.198	END RING AND DIFFUSER DISK	
20	4614.320	BLAST TUBE	
21	4034.199	CROSS	
22	4614.318	AIR INTAKE	
23	4034.400	INSULATOR	
24	4614.309	SUPPORT FOR AIR DAMPER	
25	4614.308	EXTENSION SLIDE	
26	4614.299	END CONE	
27	4614.307	SPACER	
28	4034.401	TUBE	
29	4614.041	ELECTRODE BRACKET	
30	4614.021	JOINT	
31	4614.016	FLANGE	
32	4614.061	FLANGE GASKET	
33	4614.330	NOZZLE HOLDER ASS.Y	