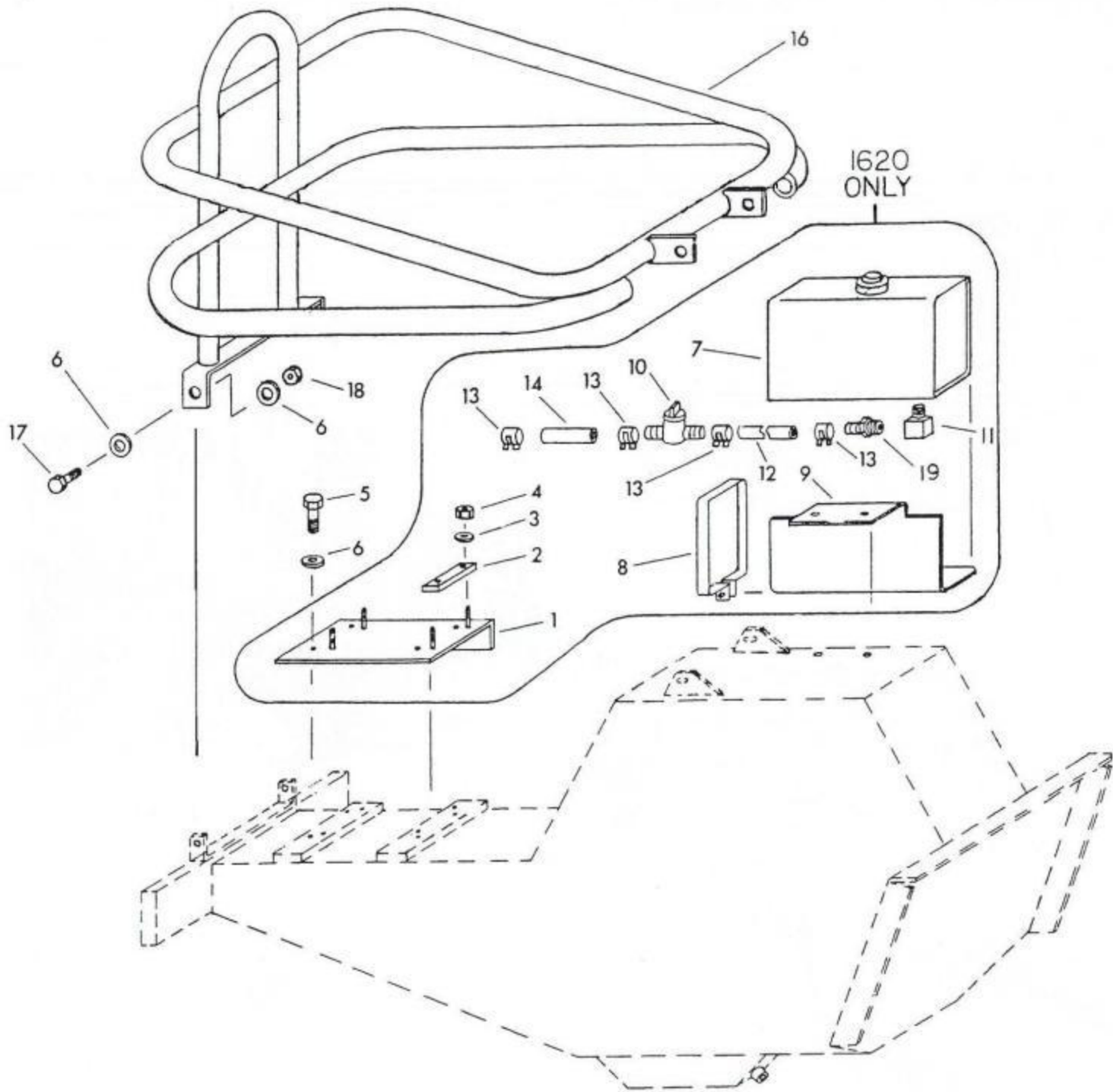


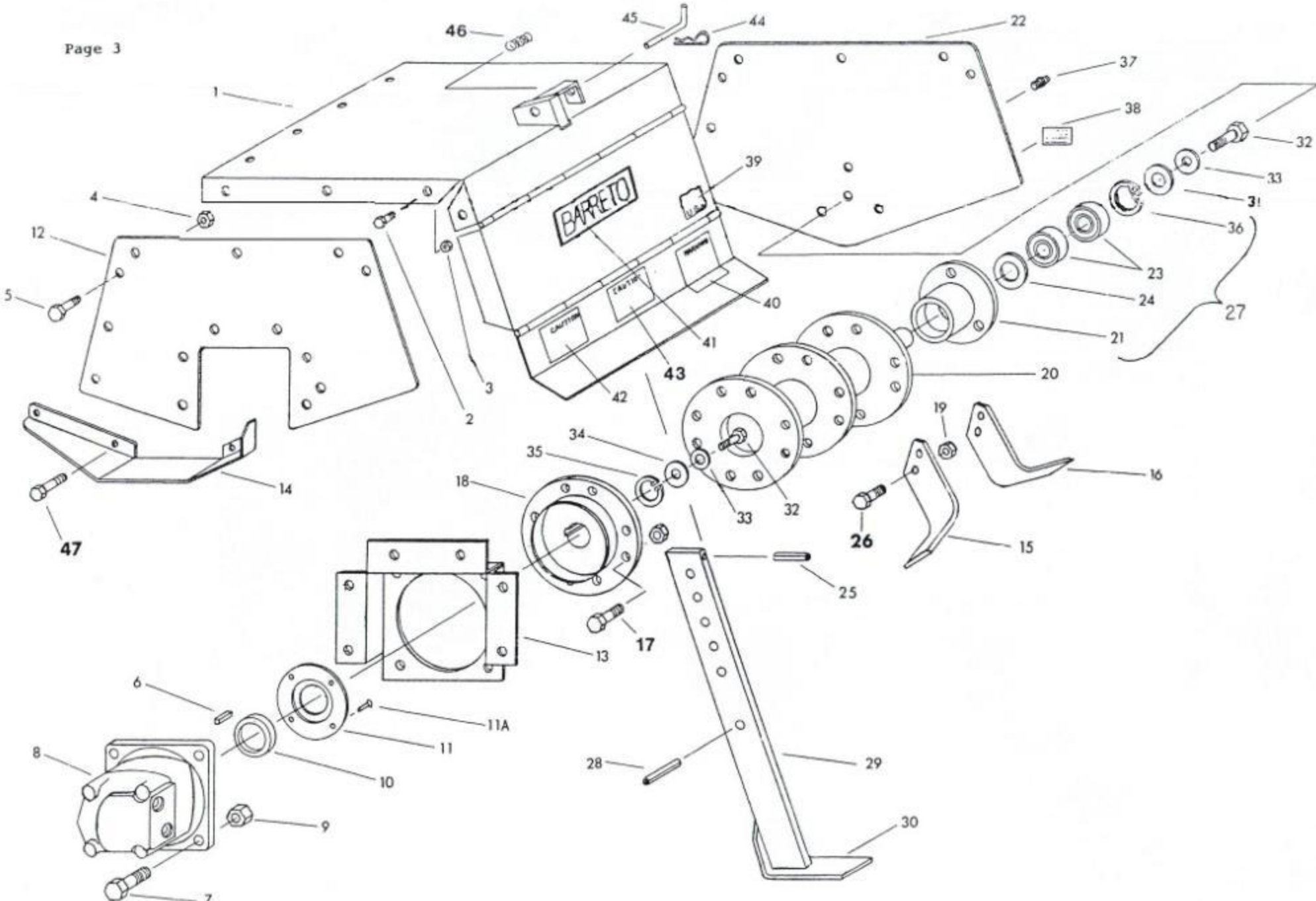
REF.#	PART #	DESCRIPTION	QTY
1	4002	Wheel Drive Motor	1
2	5013	Woodruff Key (1/4" x 1")	1
3	2014	Sprocket (#50 - 10 Tooth)	1
4	5021	Set Screw (1/4" x 5/16" NC)	1
5	3015-02	Chain (#50 Single)	1
6	3017	Master Link (#50 Single)	1
7	3013	Felt Washer	2
8	3012	Axle Seal	4
9	3007	Axle Bushing	2
10	3503	Sight Gauge	1
11	3244	O-Ring (3 7/16" O.D x 3/32" Sect)	1
12	1005	Motor Spacer	1
13	3000	O-Ring (3 1/4" O.D. x 1/8" Section)	1
14	5025	3/4" Pipe Plug	1
15	1001	Body, Complete	1
17	3060	Nylon Bushing	2
19	1021	Handlebar Mount	1
20	1002	Tank Lid	1
21	4517	Vent Hose	1
22	5051	Bolt (1/4" x 1/2" Whiz-Lock)	10

REF.#	PART #	DESCRIPTION	QTY
23	3020	Actuator Arm Seal	1
24	3061	Felt Washer	1
25	1038	Actuator Arm	1
26	1037	Actuator Plate	1
27	1015	Engine Mount	2
28	1034	Front Engine Guard Mount	1
31	5104	Flat Washer (3/8")	3
32	5125	Bolt (1/4" x 1 1/4" NC)	1
33	5096	Nut (1/4" NC) Gripco	1
34	1030	Handlebar Adjuster Crank	1
35	2027-U	Handlebar Adjuster Pin (Upper)	1
36	5058	Nylon Washer (3/8")	2
37	5105	Jam Nut (3/8" NC)	2
38	5216	Snap Ring (3/4" EXT)	2
39	5006	Roll Pin (1/8" x 3/4")	1
40	5076	Nut (1/2"NF) Gripco	2
41	5102	Flat Washer (1/2" Hardened)	2



REF.#	PART #	DESCRIPTION	QTY
1	1013	Engine Mount Bracket (B&S 16hp)	1
2	1014	Engine Mount Spacer Bar (B&S)	2
3	5068	Washer (5/16") (w/B&S Engine)	4
4	5071	Nut (5/16" NF Gripco)	4
5	5057 5092	Bolt (3/8" x 3/4" NC) (1620) Bolt (3/8" x 1 1/2" NC) (1320)	4 4
6	5101	Washer (3/8")	10
7	3062	Fuel Tank (w/B&S Engine only)	1
8	3062-01	Fuel Tank Ring Band (B&S)	2
9	3062-02	Fuel Tank Mount Bracket (B&S)	1

REF.#	PART #	DESCRIPTION	QTY
10	3062-03	Fuel Tank Valve (B&S)	1
11	3062-09	Fuel Tank Elbow (B&S)	1
12	3062-05	Fuel Line (1/4" x 29" B&S)	1
13	3062-06	Fuel Line Clamp (1/4" B&S)	4
14	3062-07	Fuel Line (1/4" x 4" B&S)	1
16	1033	Engine Guard	1
17	5056	Bolt (3/8" x 1 NF)	4
18	5072	Nut (3/8" NF) Nylock	4
19	3062-04	Elbow Nipple	1

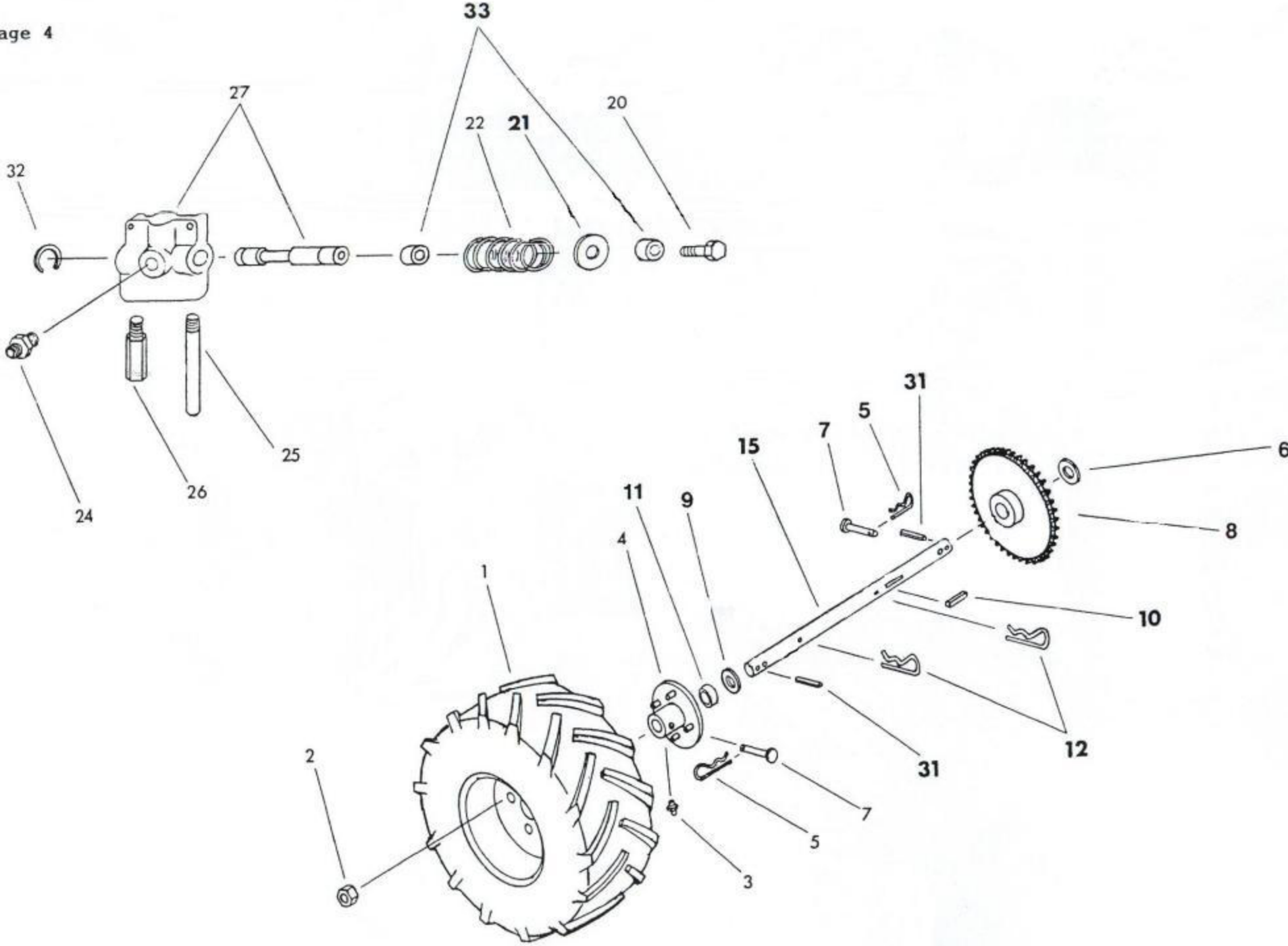


REF.#	PART #	DESCRIPTION	QTY
1	1008	Tine Cover	1
2	5052	Bolt (5/16" x 3/4" NF)	12
3	5071	Nut (5/16" Gripco)	14
4	5072	Nut (3/8" NF Gripco)	14
5	5056	Bolt (3/8" x 1" NF)	13
6	5015	Key (5/16" Sq. x 1-1/4")	1
7	5064	Bolt (1/2" x 1-1/2" NF)	4
8	4001-A1	Tine Drive Motor (6.2 CID)	1
N.S.	6008-A	Tine Motor Exchange	
9	5075	Nut (1/2" NF Gripco)	4
10	3042	Felt Washer	1
11	1025	Dirt Shield (Tine Motor Hub)	1
11A	5084	Flat Head Socket Screw	4

REF.#	PART #	DESCRIPTION	QTY
23	3043	Double Ball Bearing Insert	2
24	1026	Outboard Bearing Shield	1
25	5005	Roll Pin (3/8" x 3")	1
26	5061	Bolt (7/16" x 1" NF, G8)	16
27	1028	Outboard Bearing Assembly	1
28	5006	Roll Pin (3/8" x 1-1/2")	1
29	1012	Depth Bar (w/ Shoes)	1
30	1012-S	Depth Bar Shoe	1
31	5083	Washer (7/8" USS)	1
32	5059	Bolt (3/8" x 1" NC)	2
33	5101	Washer (3/8" SAE)	2
34	5086	Washer (7/16" USS Turned)	1
35	5027	Snap Ring (1-1/4" Internal)	1

REF.#	PART #	DESCRIPTION	QTY
12	1006	Left Side Plate	1
13	1009	Tine Motor Mount Bracket	1
14	1024	Tine Motor Guard	1
15	3006-L	Left Tine	6
16	3006-R	Right Tine	6
N.S.	3006-HF	Tine Set (6 Right and 6 Left)	
17	5063	Bolt (7/16" x 1-1/4" NF G-8)	8
18	1010-S	Tine Motor Hub	1
19	5074	Nut (7/16" NF)	24
20	1011	Tine Shaft	1
21	1027	Outboard Bearing Housing	1
22	1007	Right Side Plate	1
23	3043	Double Ball Bearing Insert	2

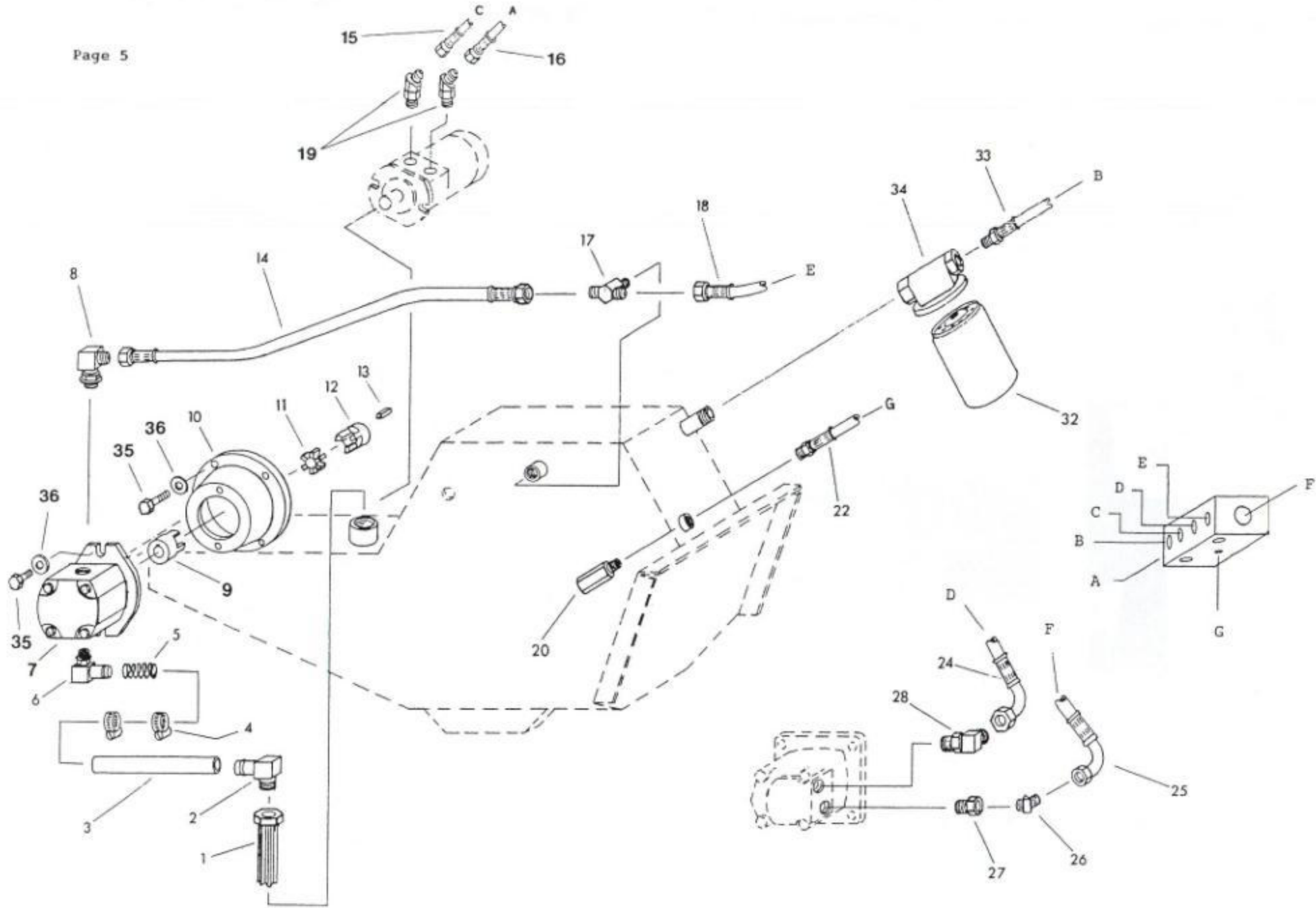
REF.#	PART #	DESCRIPTION	QTY
35	5027	Snap Ring (1-1/4 Internal)	1
36	5024	Snap Ring (2" Internal)	1
37	5044	Grease Zerk	1
38	3040-04	Decal "Grease Daily"	1
39	3040-01	Decal "Made in USA"	1
40	3040-8	Decal "Warning" (Yellow)	1
41	3040-2	Decal "Barreto"	1
42	3040-07	Decal "Caution" (Yellow)	1
43	3040-03	Decal "Caution" (Black and	1
44	3065	Hair Pin Clip (#4)	1
45	1018	Drag Bar Pin	1
46	3080	Spring	1
47	5292	Bolt (3/8 x 1 1/4 NF)	3





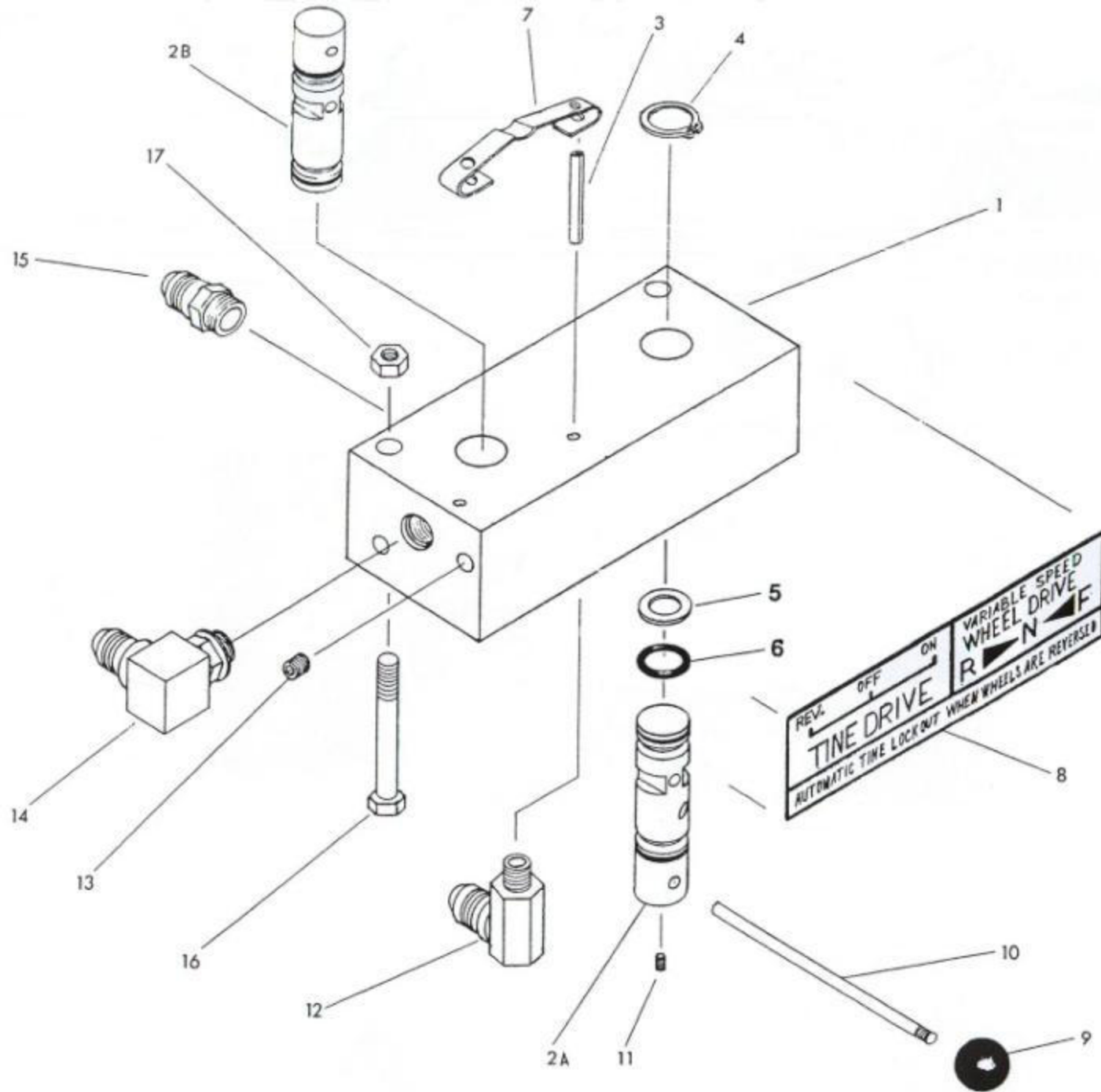
REF #	PART #	DESCRIPTION	QTY
1	3046	Tire and Wheel (Left)	1
N.S.	3047	Tire and Wheel (Right)	1
2	5042	Lug Nut	8
3	5044	Grease Zerk	2
4	2024	Wheel Hub (3" Pinned)	2
5	5032	Hairpin Clip (Hub)	2
6	3008	Thrust Washer (.030")	1
7	5031	Clevis Pin (3/8" x 2-1/2")	2
8	2006	40 Tooth #50 Sprocket	1
9	3039	Thrust Washer (.060")	1
10	5018	Key (1/4" x 1 1/4") Hardened	1
11	3081	Hub Bushing	2

REF.#	PART #	DESCRIPTION	QTY
12	5033	Hair Pin Clip (Axle)	2
15	2003-A	Axel (19-5/8" for 3" Hub)	1
20	5092	Cap Screw (3/8" x 1-1/2" NC)	1
21	5103	Washer (3/8" USS)	1
22	3055	Valve Return Spring	1
24	4007	Hydraulic Adapter (1/2" IPT)	1
25	1020	Return Tube (1/2" x 6" Pipe)	1
26	4008-C 4008-B	Tine Relief Valve 16 hp - 3500 lb. Tine Relief Valve 13 hp - 3000 lb.	1 1
27	4006	Drump Valve (Cross)	1
31	5003	Roll Pin	1
32	5028	C-Clip (3/4")	1
33	3056	Spacer (for 3055 Spring)	2



REF.#	PART #	DESCRIPTION	QTY
1	4005	Sump Screen	1
2	4201	Hydraulic Adapter	1
3	4301 4302	Engine/Pump Intake Hose (B&S) Engine/Pump Intake Hose (Honda)	1 1
4	5008	Hose Clamp (1")	2
5	4304	Internal Wire Coil	1
6	4202	Hydraulic Adapter	1
7	4004-A	Hydraulic Pump	1
8	4211	Hydraulic Adapter	1
9	3021	Jaw Coupler, Pump 5/8" Bore	1
10	2016	Adapter, Engine to Pump	1
11	3022	Rubber Spider	1
12	3023	Jaw Coupler (1" Bore)	1
13	5014	Key (B&S 1/4" Sq. x 3/4")	1
13	5014-A	Key (Honda 1/4" Sq. x 5/8")	1
14	4305 4306	Hydraulic Hose, Pump to Tee (B&S) Hydraulic Hose, Pump to Tee (Honda)	1 1
15	4312	Hyd. Hose, Valve to Wheel Motor	1

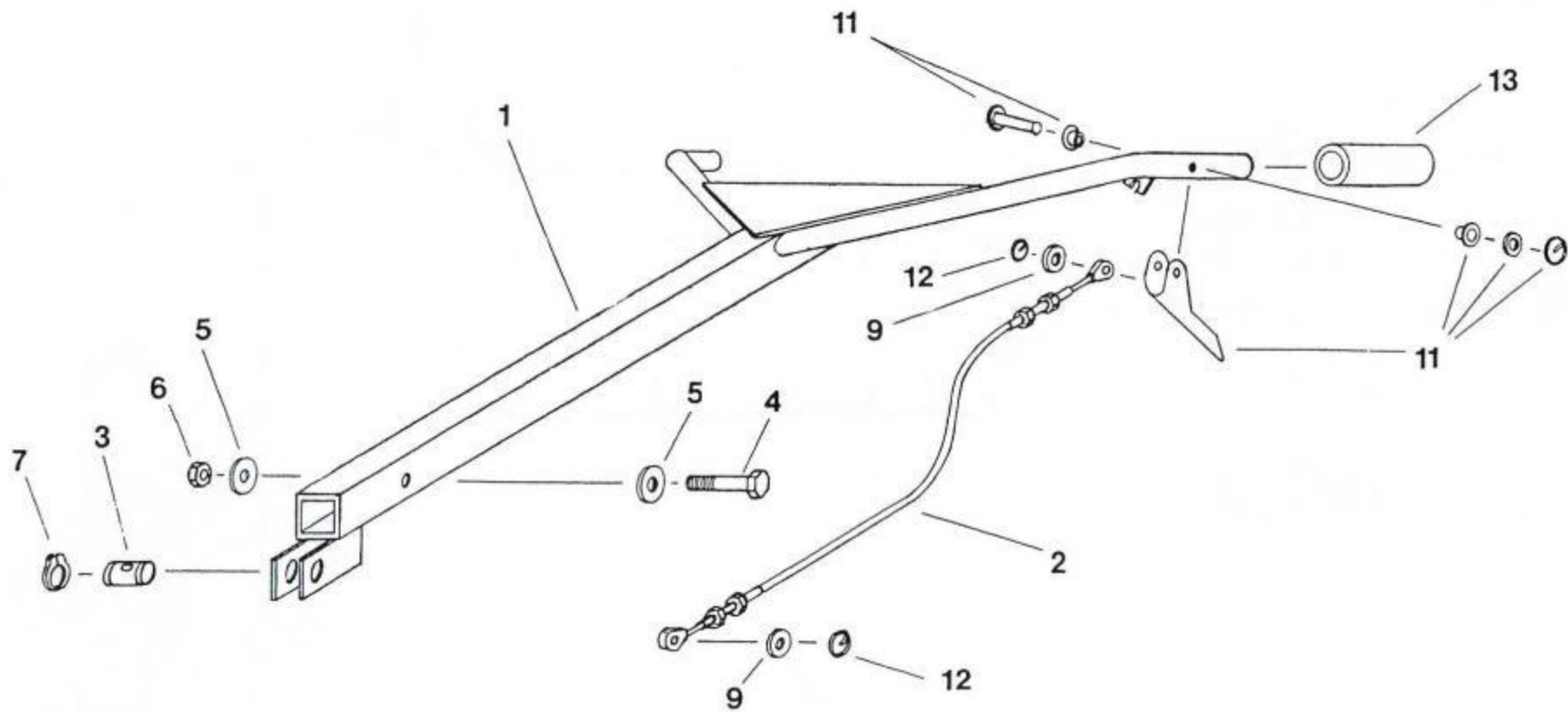
REF.#	PART #	DESCRIPTION	QTY
16	4311	Hyd. Hose, Valve to Wheel Motor	1
17	4204-01	Hydraulic Adapter, Tee	1
18	4308	Hydraulic Hose, Tee to Valve	1
19	4557	Hydraulic Adapter	1
20	4009	Relief Valve, Wheels (500 PSI)	1
22	4314-A	Hydraulic Hose, 1/2"	1
24	4310	Hydraulic Hose, Valve to Tine Motor	1
25	4309	Hydraulic Hose, Valve to Tine Motor	1
26	4210	Hydraulic Adapter	1
27	4209	Hydraulic Adapter	1
28	4211	Hydraulic Adapter	1
32	4213	Hydraulic Oil Filter Cartridge	1
33	4313	Hydraulic Hose, Valve to Filter	1
34	4212	Oil Filter Mounting Adapter	1
35	5091	Bolt, (3/8" x 1 1/4" NC)	6
36	5101	Flat Washer (3/8")	6



REF.#	PART #	DESCRIPTION	QTY
1*	4010	Control Valve Body	1
2A*	4015-C	Valve Spool (Right)	1
2B*	4015-D	Valve Spool (Left)	
3	5200	1/4" x 1-1/4" Roll Pin	4
4	5010	1" External Snap Ring	4
5	3025	1" Teflon Back Ring	4
6	3002	1" O-Ring	4
7	3027	Detent Spring	2
8	3040	Decal (Control Valve)	1
9	3026	Black Knob	2

\* NOT SOLD SEPARATELY

REF.#	PART #	DESCRIPTION	QTY
10	2017	Handle	2
N/S	2021	Handle w/Knob	2
11	5020	1/4" x 1/4" Set Screw	2
12	4208-A-	Hydraulic Adapter	1
13	5023	1/8" Pipe Plug	7
14	4554	Hydraulic Adapter	7
15	4520	Hydraulic Adapter	3
16	5065	Bolt (5/16" x 2-3/4" NF)	2
17	5071	Nut (5/16" NF) Gripco	2



REF	PART #	DESCRIPTION	QT
1	1017	Handlebar	1
2	3045	Clutch Cable	1
3	2027-L	Handle Bar Adjuster Pin (Lower)	1
4	5093	Bolt (1/2" x 3" NC)	1
5	5102	Washer (1/2")	2
6	5098	Nut (1/2" NC)	1

REF	PART #	DESCRIPTION	QT
7	5028	3/4" External Snap Ring	2
9	5081	Washer (1/4")	2
11	3029	Clutch Lever Assembly (Complete)	1
12	5039	Circle Cotter	2
13	3032	Handlebar Grips (Pair)	1