

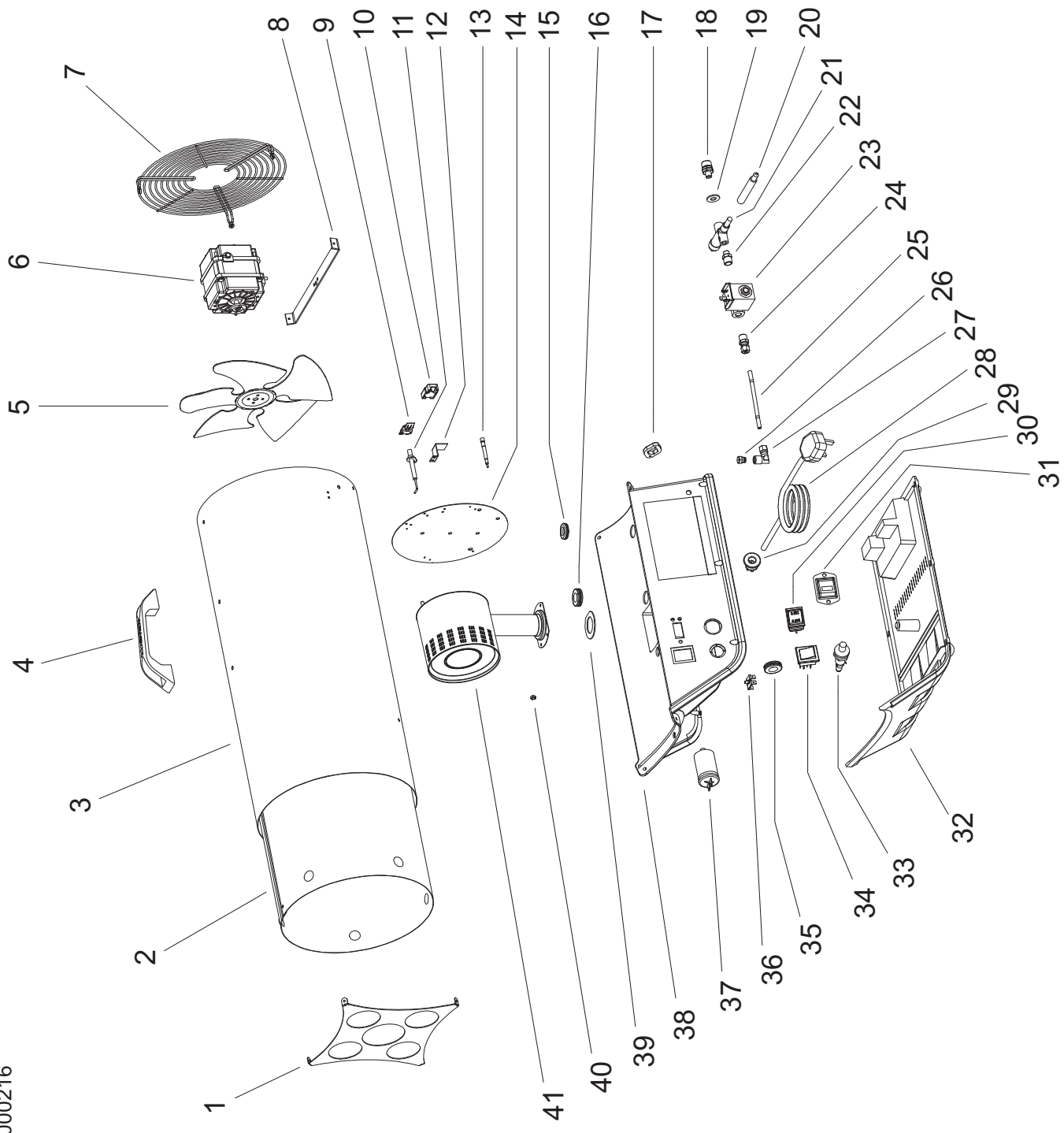
# MODEL BLP 53DV

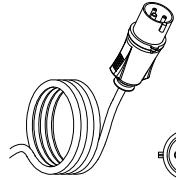
## UNIT 1

## ILLUSTRATED PARTS BREAKDOWN

From Serial Number : 03034000216

Rev.H - Nov. 2013



28-A *	
POWER CORD UK (YELLOW)	

# MODEL BLP 53DV

UNIT 2

PARTS LIST

Pos.	Code N°	Description	Rev.H - Nov. 2013
1	4100.814	OUTLET GRID	
2	4162.731	COMBUSTION CHAMBER	
3	4162.728	COVER	
4	4162.934	PLASTIC HANDLE	
5	4160.691	FAN	
6	4106.230	ELECTRIC MOTOR	
7	4160.739	INLET GRID	
8	4162.733	ELECTRIC MOTOR BRACKET	
9	4162.910	SAFETY THERMOSTAT	
10	4162.909	SAFETY THERMOSTAT COVER	
11	4160.731	IGNITION ELECTRICAL FOLDER	
12	4106.047	THERMOSTAT BRACKET	
13	4106.042	INTERRUPTED THERMOCOUPLE	
14	4162.869	PLATE BURNER	
15	4160.646	GROMMET	
16	4160.646	GROMMET	
17	4161.854	BLOCK FOR NOZZLE	
18	4160.048	GAS INLET NOZZLE	
19	4160.283	WASHER	
20	4162.479	VALVE ROD	
21	4160.688	SAFETY VALVE	
22	4160.299	REDUCTION NIPPLES	
23	4161.268	ELECTROVALVE	
24	4160.962	NIPPLES REDUCER	
25	4162.724	COPPER TUBE	
26	4160.527	GAS NOZZLE	
27	4160.967	ELBOW	
28	4160.540	POWER CORD UK	
28-A	4106.236	POWER CORD UK YELLOW	
29	4160.635	KEEPER WIRE	
30	4100.143	SWITCH DUAL VOLTAGE	
31	4106.233	COVER WITCH DUAL VOLTAGE	
32	4162.853	LOWER PLASTIC BASE	
33	4162.597	PIEZO IGNITOR	
34	4160.637	SWITCH	
35	4160.646	GROMMET	
36	4160.639	RIVET POP	
37	4106.277	CAPACITOR 2,5 µF	
38	4160.114	HIGHER PLASTIC BASE	
39	4160.769	NECK PLATE	
40	4106.043	THERMOCOUPLE NUT	
41	4160.467	GAS BURNER	

## RECOMMENDED SPARE PARTS

Pos.	Code NR	Description	Rev.H - Nov. 2013
6	4106.230	ELECTRIC MOTOR	
9	4162.910	SAFETY THERMOSTAT	
10	4162.909	SAFETY THERMOSTAT COVER	
11	4160.731	IGNITION ELECTRICAL FOLDER	
13	4106.042	INTERRUPTED THERMOCOUPLE	
21	4160.688	SAFETY VALVE	
23	4161.268	ELECTROVALVE	
33	4162.597	PIEZO IGNITOR	

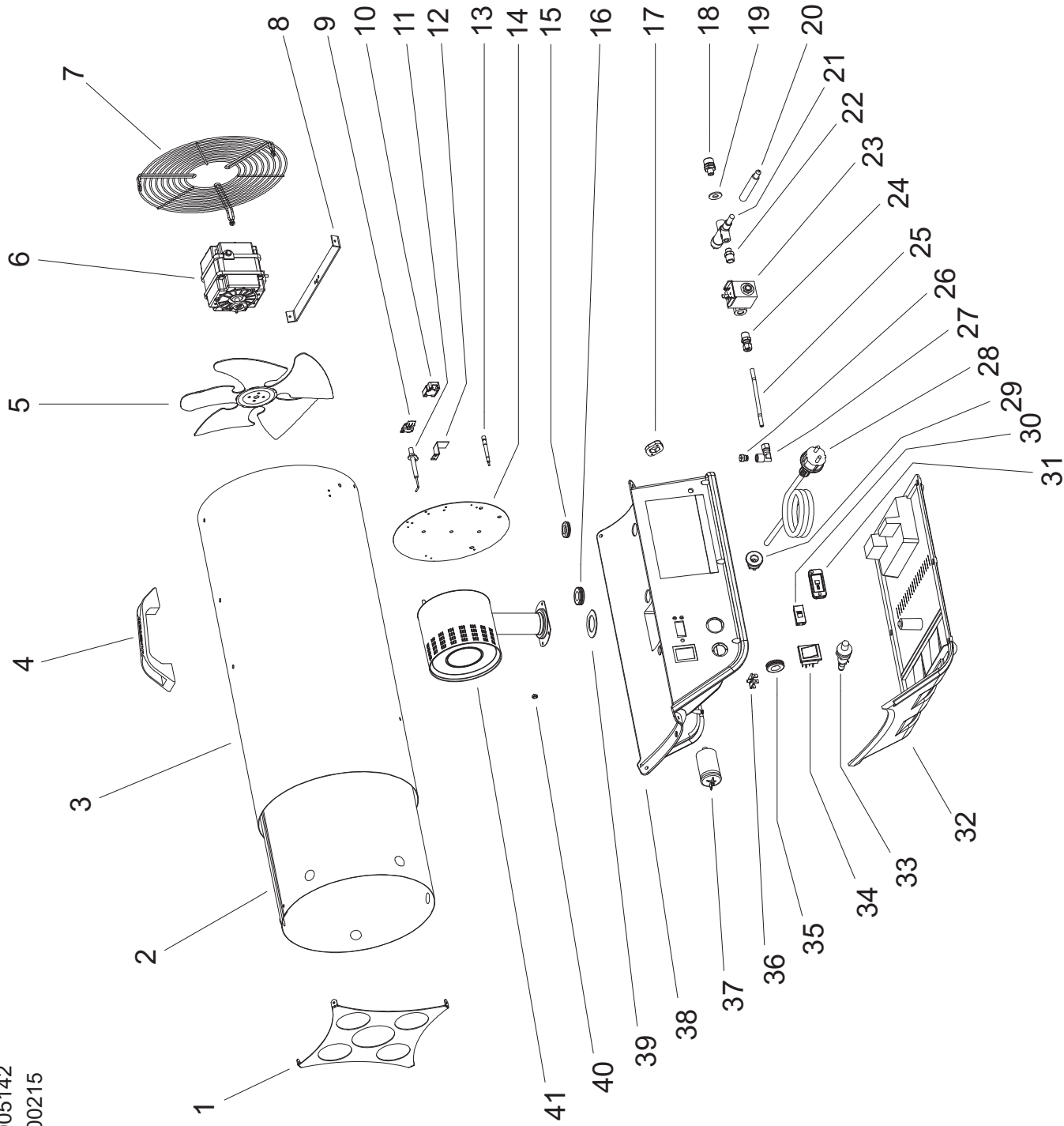
# MODEL BLP 53DV

## UNIT 1

## ILLUSTRATED PARTS BREAKDOWN

From Serial Number : 03033005142  
Until Serial Number : 03034000215

Rev.G - May 2013



# MODEL BLP 53DV

UNIT 2

PARTS LIST

Rev.G - May 2013

Pos.	Code N°	Description
1	4100.814	OUTLET GRID
2	4162.731	COMBUSTION CHAMBER
3	4162.728	COVER
4	4162.934	PLASTIC HANDLE
5	4160.691	FAN
6	4161.166	ELECTRIC MOTOR
7	4160.739	INLET GRID
8	4162.733	ELECTRIC MOTOR BRACKET
9	4162.910	SAFETY THERMOSTAT
10	4162.909	SAFETY THERMOSTAT COVER
11	4160.731	IGNITION ELECTRICAL FOLDER
12	4106.047	THERMOSTAT BRACKET
13	4106.042	INTERRUPTED THERMOCOUPLE
14	4162.869	PLATE BURNER
15	4160.646	GROMMET
16	4160.646	GROMMET
17	4161.854	BLOCK FOR NOZZLE
18	4160.048	GAS INLET NOZZLE
19	4160.283	WASHER
20	4162.479	VALVE ROD
21	4160.688	SAFETY VALVE
22	4160.299	REDUCTION NIPPLES
23	4161.268	ELECTROVALVE
24	4160.962	NIPPLES REDUCER
25	4162.724	COPPER TUBE
26	4160.527	GAS NOZZLE
27	4160.967	ELBOW
28	4160.540	ELECTRICAL CABLE
29	4160.635	KEEPER WIRE
30	4160.117	SWITCH DUAL VOLTAGE
31	4161.284	COVER WITCH DUAL VOLTAGE
32	4162.853	LOWER PLASTIC BASE
33	4162.597	PIEZO IGNITOR
34	4160.637	SWITCH
35	4160.646	GROMMET
36	4160.639	RIVET POP
37	4110.292	CAPACITOR 2,5 µF
38	4160.114	HIGHER PLASTIC BASE
39	4160.769	NECK PLATE
40	4106.043	THERMOCOUPLE NUT
41	4160.467	GAS BURNER

## RECOMMENDED SPARE PARTS

Rev.G - May 2013

Pos.	Code NR	Description
6	4161.166	ELECTRIC MOTOR
9	4162.910	SAFETY THERMOSTAT
10	4162.909	SAFETY THERMOSTAT COVER
11	4160.731	IGNITION ELECTRICAL FOLDER
13	4106.042	INTERRUPTED THERMOCOUPLE
21	4160.688	SAFETY VALVE
23	4161.268	ELECTROVALVE
33	4162.597	PIEZO IGNITOR

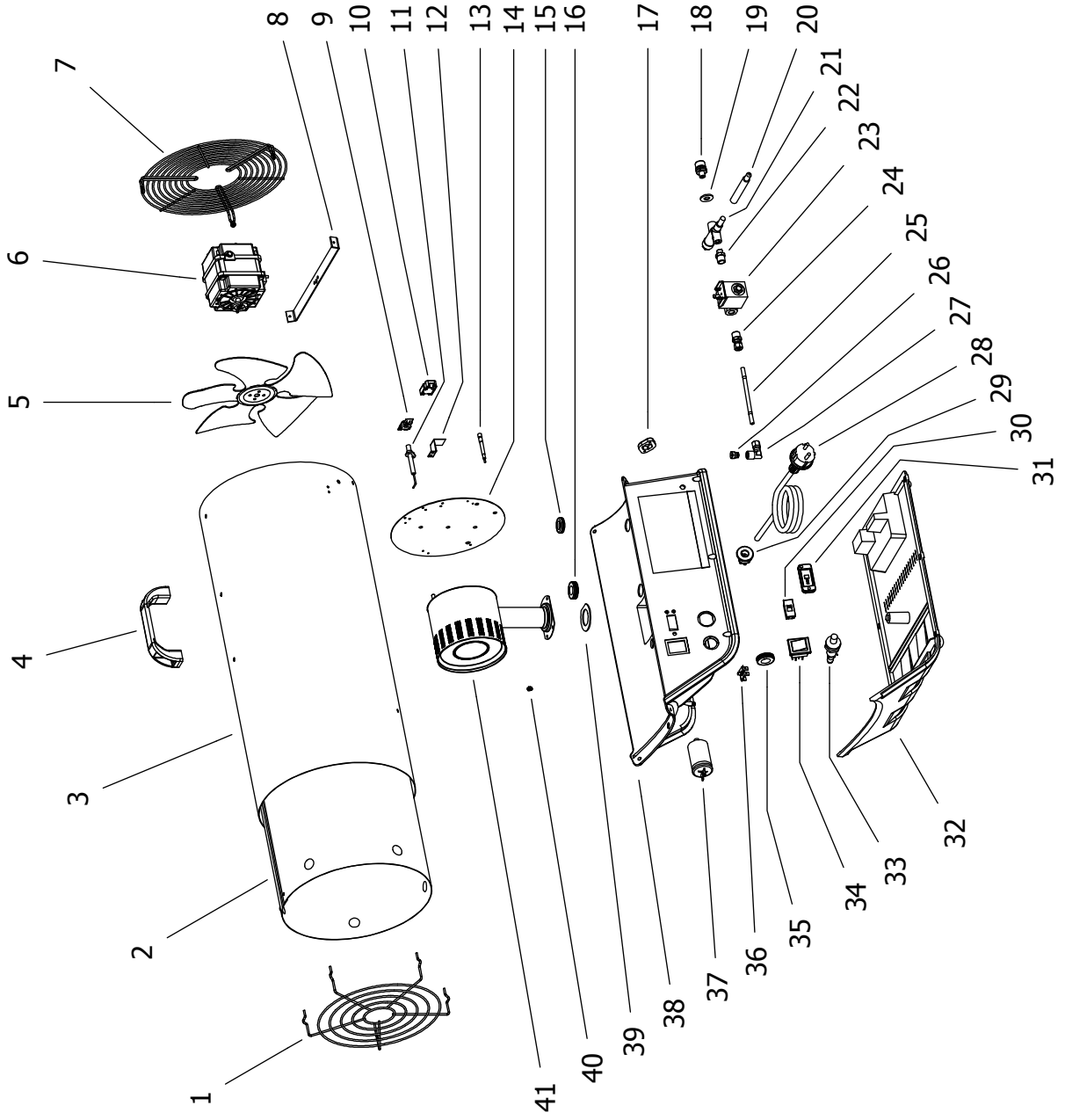
# MODEL BLP 53DV

## UNIT 1

## ILLUSTRATED PARTS BREAKDOWN

From Serial Number: PC332027171

Rev. F - October 2012



# MODEL BLP 53DV

## UNIT 2

## PARTS LIST

Pos.	Code NR	Description	Rev. F - October 2012
1	4160.740	OUTLET GRID	
2	4162.731	COMBUSTION CHAMBER	
3	4162.728	COVER	
4	4162.893	PLASTIC HANDLE	
5	4160.691	FAN	
6	4161.166	ELECTRIC MOTOR	
7	4160.739	INLET GRID	
8	4162.733	ELECTRIC MOTOR BRACKET	
9	4162.910	SAFETY THERMOSTAT	
10	4162.909	SAFETY THERMOSTAT COVER	
11	4160.731	IGNITION ELECTRICAL FOLDER	
12	4106.047	THERMOSTAT BRACKET	
13	4106.042	INTERRUPTED THERMOCOUPLE	
14	4162.869	PLATE BURNER	
15	4160.646	GROMMET	
16	4160.646	GROMMET	
17	4161.854	BLOCK FOR NOZZLE	
18	4160.048	GAS INLET NOZZLE	
19	4160.283	WASHER	
20	4162.479	VALVE ROD	
21	4160.688	SAFETY VALVE	
22	4160.299	REDUCTION NIPPLES	
23	4161.268	ELECTROVALVE	
24	4160.962	NIPPLES REDUCER	
25	4162.724	COPPER TUBE	
26	4160.527	GAS NOZZLE	
27	4160.967	ELBOW	
28	4160.540	ELECTRICAL CABLE	
29	4160.635	KEEPER WIRE	
30	4160.117	SWITCH DUAL VOLTAGE	
31	4161.284	COVER WITCH DUAL VOLTAGE	
32	4162.853	LOWER PLASTIC BASE	
33	4162.597	PIEZO IGNITOR	
34	4160.637	SWITCH	
35	4160.646	GROMMET	
36	4160.639	RIVET POP	
37	4110.292	CAPACITOR 2,5 $\mu$ F	
38	4160.114	HIGHER PLASTIC BASE	
39	4160.769	NECK PLATE	
40	4106.043	THERMOCOUPLE NUT	
41	4160.467	GAS BURNER	

# MODEL BLP 53DV

## UNIT 3

## RECOMMENDED SPARE PARTS

Pos.	Code NR	Description	Rev. F - October 2012
6	4161.166	ELECTRIC MOTOR	
9	4162.910	SAFETY THERMOSTAT	
10	4162.909	SAFETY THERMOSTAT COVER	
11	4160.731	IGNITION ELECTRICAL FOLDER	
13	4106.042	INTERRUPTED THERMOCOUPLE	
21	4160.688	SAFETY VALVE	
23	4161.268	ELECTROVALVE	
33	4162.597	PIEZO IGNITOR	