



# PARTS DRAWING



**Elite 110v 3" Dirty Water Pump**

**Product Code:  
SPT750B**

Serial Number Range:

From:

To:

Year Of Manufacture:

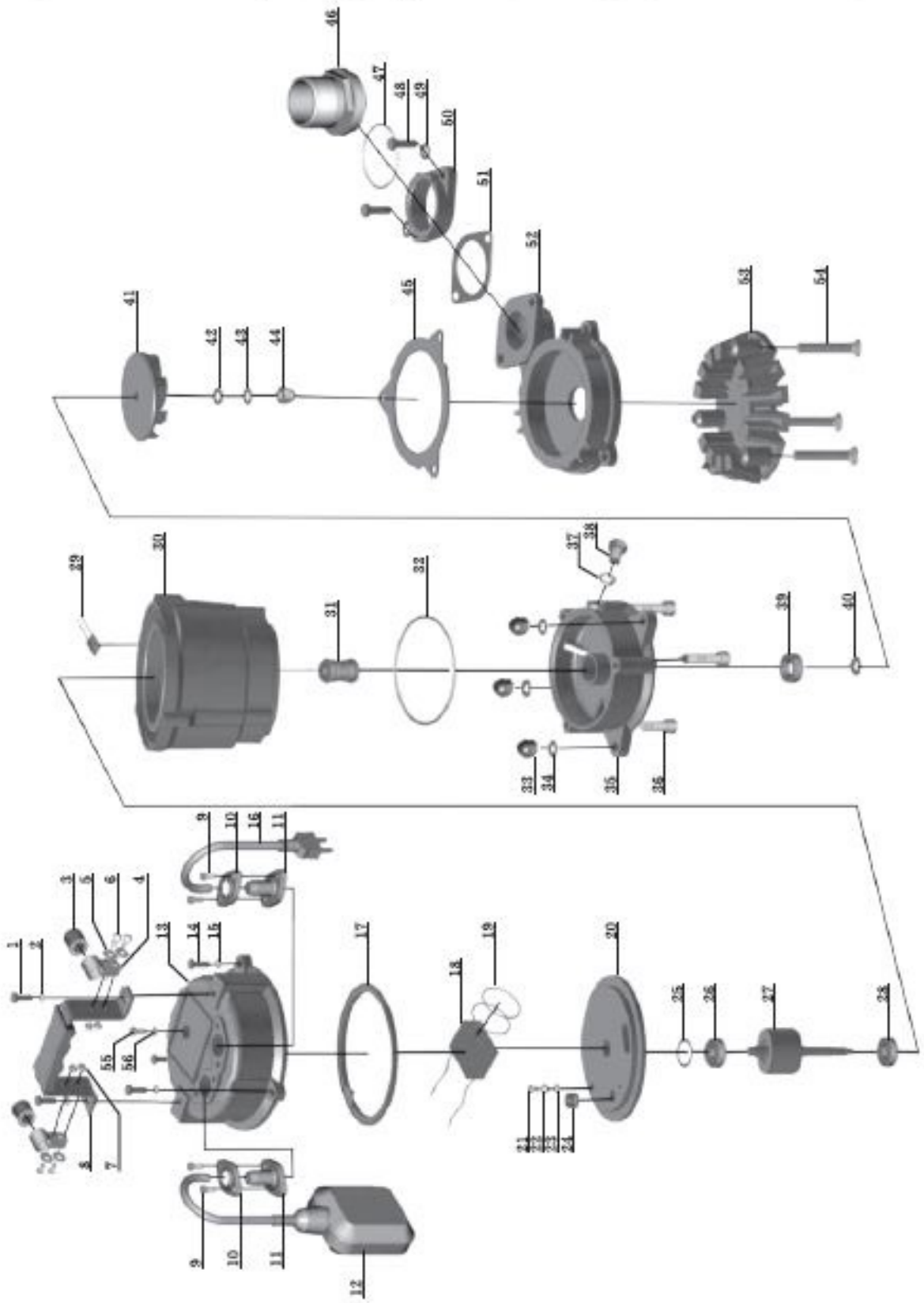


**\*Please note, when ordering online via our website if the part number is not recognised, please Email [spares@hscgroupuk.co.uk](mailto:spares@hscgroupuk.co.uk) or Telephone 0115 946 1988**

**KEEP THIS BOOKLET FOR FUTURE REFERENCE**

Nottingham: 0115 946 1988 • London: 0208 830 3333 ✉ Nottingham: [sales@hscgroupuk.co.uk](mailto:sales@hscgroupuk.co.uk) • London: [sean@hscgroupuk.co.uk](mailto:sean@hscgroupuk.co.uk) 🌐 [www.hscgroupuk.co.uk](http://www.hscgroupuk.co.uk)

The Hire Supply Company Terms & Conditions Apply At All Time E&OE



Item No	Part Number	Description	Item No	Part Number	Description
1	S/R	Bolt	29	SPT750B29	Thermal Protector
2	S/R	Washer	30	S/R	Motor Stator
3	S/R	Protector	31	S/R	Mechanical Seal
4	S/R	Cable Presser	32	S/R	O Ring
5	S/R	Washer	33	S/R	Nut
6	S/R	Screw	34	S/R	Washer
7	S/R	Nut	35	SPT750B35	Connection Part
8	SPT750B8	Handle	36	S/R	Screw
9	SPT750B9	Screw	37	SPT750B37	O Ring
10	SPT750B10	Flange	38	SPT750B38	Bolt
11	SPT750B11	Cable Protector	39	SPT750B39	Oil Seal
12	N/A	Float Switch	40	SPT750B40	Washer
13	SPT750B13	Capacitor Cover	41	SPT750B41	Impeller
14	S/R	Bolt	42	S/R	Washer
15	S/R	Washer	43	S/R	Stretching Washer
16	SPT750B16	Mains Cable	44	S/R	Nut
17	S/R	Rubber Washer	45	S/R	Rubber Washer
18	SPT750B18	Capacitor	46	SPT750B46	Outlet Connector
19	S/R	O Ring	47	SPT750B47	O Ring
20	S/R	Motor Cover	48	S/R	Bolt
21	S/R	Screw	49	S/R	Washer
22	S/R	Stretching Washer	50	SPT750B50	Connection Nut
23	S/R	Washer	51	SPT750B51	Rubber Washer
24	S/R	Line Protector	52	SPT750B52	Pump Body
25	S/R	Undulated Washer	53	SPT750B53	Base Plate
26	S/R	Ball Bearing	54	S/R	Bolt
27	S/R	Rotor	55	S/R	Screw
28	S/R	Ball Bearing	56	S/R	O Ring



## Recycling



**ENVIRONMENTAL PROTECTION:** Please recycle any unwanted materials as opposed to disposing them as general waste. It is recommended the original is retained and used to store the product when not in use for prolonged periods of time. If this is not applicable ensure the materials are sorted and recycled in accordance with local regulations.



**SPECIFICATION CHANGE:** It is our policy to continually improve products to ensure these meet the rigours of the industry we serve. Therefore, as such we reserve the right to alter specifications, data, components & parts with-out prior notice.

**WARRANTY:** Please refer to the manufactures terms & conditions.

**IMPORTANT:** No liability will be accepted for the incorrect use of this product.

### **KEEP THIS BOOKLET FOR FUTURE REFERENCE**

📞 Nottingham: 0115 946 1988 • London: 0208 830 3333    ✉ Nottingham: [sales@hscgroupuk.co.uk](mailto:sales@hscgroupuk.co.uk) • London: [sean@hscgroupuk.co.uk](mailto:sean@hscgroupuk.co.uk)    🌐 [www.hscgroupuk.co.uk](http://www.hscgroupuk.co.uk)

The Hire Supply Company Terms & Conditions Apply At All Time E&OE