

PAE 60 / PAE 61 / PAE 80 / PAE 81

EN

OPERATING MANUAL
AIR COOLER



Table of contents

Notes regarding the operating manual..... 2

Safety 2

Information about the device..... 5

Transport and storage..... 7

Assembly and start-up 8

Operation 14

Available accessories..... 16

Errors and faults 16

Maintenance 18


Technical annex..... 24


Disposal 25

Notes regarding the operating manual


Symbols


 **Warning of electrical voltage**
This symbol indicates dangers to the life and health of persons due to electrical voltage.

 **Warning**
This signal word indicates a hazard with an average risk level which, if not avoided, can result in serious injury or death.

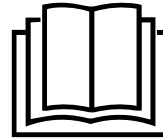
 **Caution**
This signal word indicates a hazard with a low risk level which, if not avoided, can result in minor or moderate injury.

Note
This signal word indicates important information (e.g. material damage), but does not indicate hazards.

 **Info**
Information marked with this symbol helps you to carry out your tasks quickly and safely.

 **Follow the manual**
Information marked with this symbol indicates that the operating manual must be observed.

You can download the current version of the operating manual and the EU declaration of conformity via the following link:



PAE 60 / PAE 61



<https://hub.trotec.com/?id=45042>


PAE 80 / PAE 81



<https://hub.trotec.com/?id=45043>

Safety

Read this manual carefully before starting or using the device. Always store the manual in the immediate vicinity of the device or its site of use.

-  **Warning**
Read all safety warnings and all instructions. Failure to follow the warnings and instructions may result in electric shock, fire and/or serious injury. **Save all warnings and instructions for future reference.**
This appliance can be used by children aged from 8 years and above and persons with reduced physical, sensory or mental capabilities or lack of experience and knowledge if they have been given supervision or instruction concerning use of the appliance in a safe way and understand the hazards involved. Children shall not play with the appliance. Cleaning and user maintenance shall not be made by children without supervision.
- Do not use the device in potentially explosive rooms or areas and do not install it there.
 - Do not use the device in aggressive atmosphere.
 - Only put up the device in an upright, stable position on firm ground.
 - Let the device dry out after a wet clean. Do not operate it when wet.
 - Do not use the device with wet or damp hands.
 - Do not expose the device to directly squirting water.
 - Do not cover the device during operation.
 - Do not sit on the device.

- This appliance is not a toy. Keep away from children and animals. Do not leave the device unattended during operation.
- Check accessories and connection parts for possible damage prior to every use of the device. Do not use any defective devices or device parts.
- Ensure that all electric cables outside of the device are protected from damage (e.g. caused by animals). Never use the device if electric cables or the power connection are damaged!
- The mains connection must correspond to the specifications in the Technical annex.
- Insert the mains plug into a properly fused mains socket.
- Observe the device's power input, cable length and intended use when selecting extensions to the power cable. Completely unroll extension cables. Avoid electrical overload.
- Before carrying out maintenance, care or repair work on the device, remove the mains plug from the mains socket. Hold onto the mains plug while doing so.
- Switch the device off and disconnect the power cable from the mains socket when the device is not in use.
- When positioning the device, observe the minimum distances from walls and other objects as well as the storage and operating conditions specified in the Technical annex.
- Make sure that the air inlet and outlet are not obstructed.
- Make sure that the suction side is kept free of dirt and loose objects.
- Never insert any objects or limbs into the device.
- Do not remove any safety signs, stickers or labels from the device. Keep all safety signs, stickers and labels in legible condition.
- Only transport the device in an upright position with an emptied water tank.
- Empty and clean the water tank prior to storage or transport. Do not drink the water. Health hazard!
- Never leave water in the water tank when the appliance is not in use.
- Make sure that objects in the surroundings of the device do not become wet or damp. If moisture is present, the output must be reduced. Set the device to a lower level. If the output cannot be reduced, the device must only be operated in intervals. If necessary, switch the device off completely for a short time. Ensure that absorbent materials such as carpeting, curtains, sheers or tablecloths will not become damp.
- Note that high humidity levels may enhance the growth of biological organisms in the environment.
- Make sure that the water in the water tank is replaced every 3 days. Otherwise there is a risk of microorganisms growing in the water tank which presents a health hazard if they get into the air or water.
- Only fill the water tank with fresh drinking water, ice cubes made of fresh drinking water and / or suitable ice packs.
- Ice packs are not toys. Keep away from children and animals.
- Never open an ice pack. The liquid inside the ice packs can be harmful to health.
- Do not eat the ice that may form on the ice packs. Health hazard!
- Do not insert rechargeable batteries into the remote control.
- Do not use the device if it has been dropped or if it shows visible signs of damage.
- Only use original spare parts, for otherwise safe and functional operation cannot be ensured.
- Never charge batteries that cannot be recharged.
- Different types of batteries and new and used batteries must not be used together.
- Insert the batteries into the battery compartment according to the correct polarity.
- Remove discharged batteries from the device. Batteries contain materials hazardous to the environment. Dispose of the batteries according to the national regulations.
- Remove the batteries from the remote control if you will not be using the device for a longer period of time.
- Remove the batteries from the device if you will not be using the device for a longer period of time.
- Never short-circuit the supply terminal in the battery compartment!
- Do not swallow batteries! If a battery is swallowed, it can cause severe internal burns within 2 hours! These burns can lead to death!
- If you think batteries might have been swallowed or otherwise entered the body, seek medical attention immediately!
- Keep new and used batteries and an open battery compartment away from children.
- If the battery compartment does not close securely, stop using the product via the remote control.
- Switch the device off and disconnect the power cable from the mains socket before cleaning the device or before filling the water tank with water.

Intended use

Only use the device for cooling the air in interior spaces while adhering to and following the technical data.

Intended use comprises cooling the air in:

- living spaces
- museums
- warehouses and archives
- libraries
- call centres and computer rooms

Foreseeable misuse

- Do not place the device on wet or flooded ground.
- Do not place any objects, e.g. clothing, on the device.
- Do not use the device out of doors.
- Do not make any unauthorised modifications, alterations or structural changes to the device.
- Any use other than the intended use is regarded as a reasonably foreseeable misuse.

Personnel qualifications

People who use this device must:

- be aware of the dangers that occur when working with electric devices in damp areas.
- have read and understood the operating manual, especially the Safety chapter.

Maintenance tasks which require the housing to be opened must only be carried out by specialist electrical companies or by Trotec.

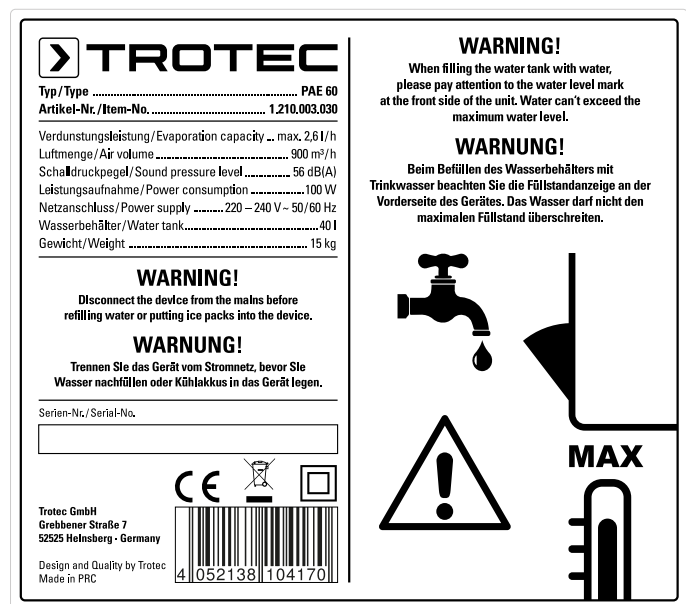
Safety signs and labels on the device

Note

Do not remove any safety signs, stickers or labels from the device. Keep all safety signs, stickers and labels in legible condition.

The nameplate is attached to the device in German and English. As an example, the nameplate of the device PAE 60 is shown here. The nameplate of the device PAE 60 differs from the nameplates of the devices PAE 61, PAE 80 and PAE 81 only in its technical data.

The following safety signs and labels are attached to the device:



Symbols	Meaning
	This symbol located on the device indicates that the filter has to be checked and, if necessary, to be cleaned prior to each operation. Replace the filter if it is defective. Do not insert a wet filter into the device. Wait until the filter has dried.
	This symbol located on the device indicates that the water tank should be cleaned every 3 days. Change the water in the water tank every 3 days. Disconnect the device from the mains before cleaning the water tank.

Residual risks



Warning of electrical voltage

Work on the electrical components must only be carried out by an authorised specialist company!



Warning of electrical voltage

Before any work on the device, remove the mains plug from the mains socket!

Do not touch the mains plug with wet or damp hands. Hold onto the mains plug while pulling the power cable out of the mains socket.



Warning

The liquid inside the ice packs can be harmful to health!

If the liquid was swallowed, immediately seek medical attention.

If the liquid came into contact with your eyes, rinse with water and immediately consult an ophthalmologist.



Warning

Dangers can occur at the device when it is used by untrained people in an unprofessional or improper way! Observe the personnel qualifications!



Warning

The device is not a toy and does not belong in the hands of children.



Warning

Risk of suffocation!

Do not leave the packaging lying around. Children may use it as a dangerous toy.

Note

Do not operate the device without an air filter inserted into the air inlet!

Without the air filter, the inside of the device will be heavily contaminated. This could reduce the performance and result in damage to the device.

Behaviour in the event of an emergency

1. Switch the device off.
2. In an emergency, disconnect the device from the mains feed-in: Hold onto the mains plug while pulling the power cable out of the mains socket.
3. Do not reconnect a defective device to the mains.

Information about the device

Device description

The air cooler lowers the room temperature to a comfortable degree by evaporation-based cooling.

The device is filled with cold water or optionally with ice cubes and / or ice packs in order to cool down the incoming warm air at the evaporation filter and to blow out the cold air thus generated via the fan.

The discharge direction of the cooled air can be manually adjusted via the optionally selectable automatic swing mode.

The device can be operated via the control panel at the device or via the infrared remote control.

Moreover, using the timer function, the device can be switched off automatically with time delay.

The device can be operated in an energy-efficient manner. If none of the operating elements have been actuated for a period of 40 seconds, the LEDs will be dimmed.

After 15 hours of continuous operation the device switches off automatically.

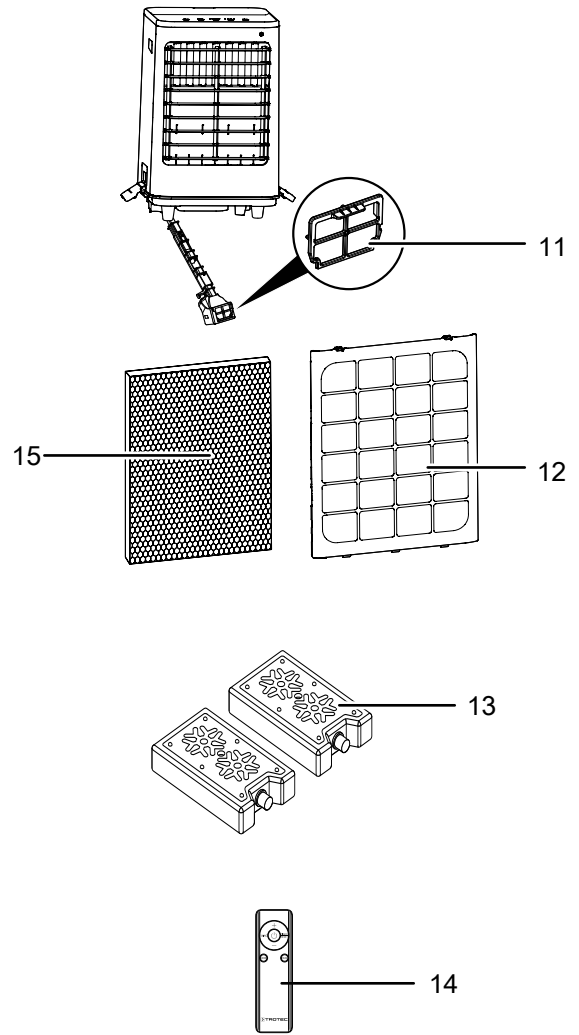
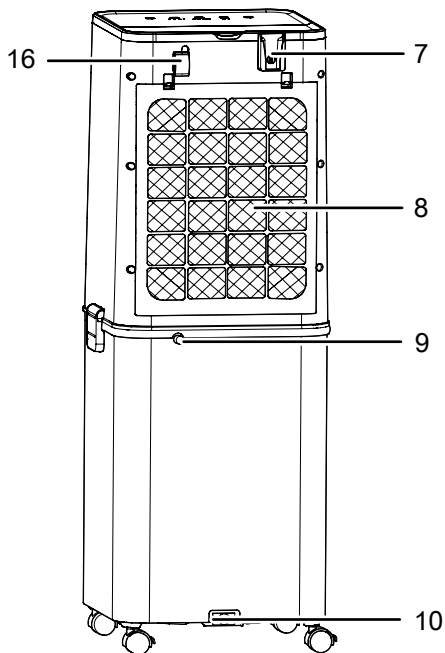
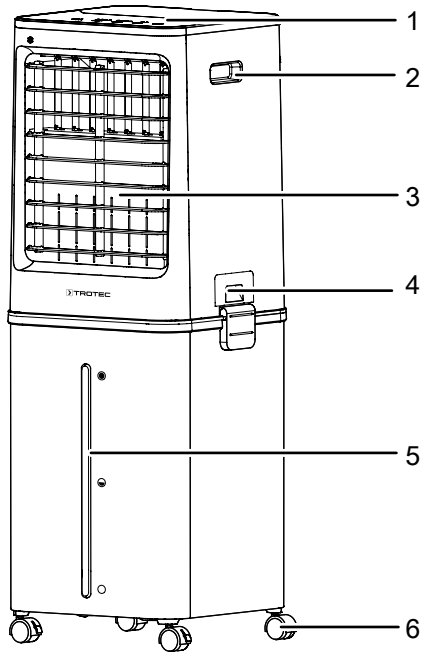
Continuous operation is enabled by a permanent water connection.

The water tank and the top section of the device can be inserted into one another for storage.

The devices PAE 60 and PAE 61 differ in colour. The device PAE 60 is black; the device PAE 61 is white.

The devices PAE 80 and PAE 81 differ from the devices PAE 60 and PAE 61 in their technical data. Moreover, the device PAE 80 is black and the device PAE 81 is white.

Device depiction



No.	Designation
1	Control panel
2	Transport handle
3	Air outlet and ventilation flaps with swing function
4	Water funnel
5	Water tank with filling level indicator
6	Wheels
7	Remote control holder
8	Air inlet with air filter and evaporation filter
9	Hose connection for continuous operation with cover
10	Water outlet with rubber stopper
11	Water filter
12	Air filter
13	Ice packs (4 pc.)
14	Remote control
15	Evaporation filter
16	Power cable holder

Transport and storage

Note

If you store or transport the device improperly, the device may be damaged.

Note the information regarding transport and storage of the device.

Transport

To make the device easier to transport, it is fitted with wheels.

To make the device easier to transport, it is fitted with a carry handle.

Before transporting the device, observe the following:

- Switch the device off.
- Hold onto the mains plug while pulling the power cable out of the mains socket.
- Empty the water tank.
- Do not use the power cable to drag the device.
- Only wheel the device on firm and level surfaces.

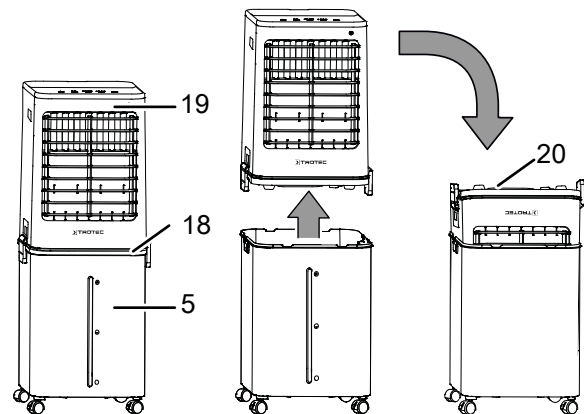
After transporting the device, proceed as follows:

- Set up the device in an upright position after transport.

Storage

Before storing the device, proceed as follows:

- Empty and clean the water tank prior to storage (see chapter Maintenance).
- Allow the evaporation filter to dry prior to storage. Otherwise the device may distribute a musty smell after restart.
- Hold onto the mains plug while pulling the power cable out of the mains socket.
- Disconnect the top section (19) from the water tank (5). Remove the top piece (18) of the water tank from the water tank. Remove the float (17) from the water tank. Check whether the pump holder (20) is anchored and be careful not to damage the pump. Turn the top section over and place it upside down in the water tank (please also refer to the chapter Assembly and start-up).



When the device is not being used, observe the following storage conditions:

- dry and protected from frost and heat
- protected from dust and direct sunlight
- with a cover to protect it from invasive dust, if necessary
- Place no further devices or objects on top of the device to prevent it from being damaged.

Assembly and start-up

Scope of delivery

- 1 x Device
- 1 x Evaporation filter
- 1 x Air filter
- 4 x Ice pack
- 4 x Castor
- 1 x Float for permanent water connection
- 1 x Water tank top piece
- 1 x Cable holder
- 1 x Remote control holder
- 1 x Remote control
- 1 x Manual

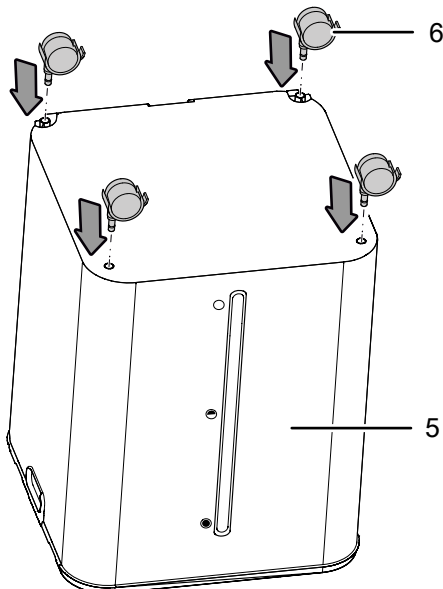
Unpacking the device

1. Open the cardboard box and take the device out.
2. Completely remove the packaging.
3. Fully unwind the power cable. Make sure that the power cable is not damaged and that you do not damage it during unwinding.

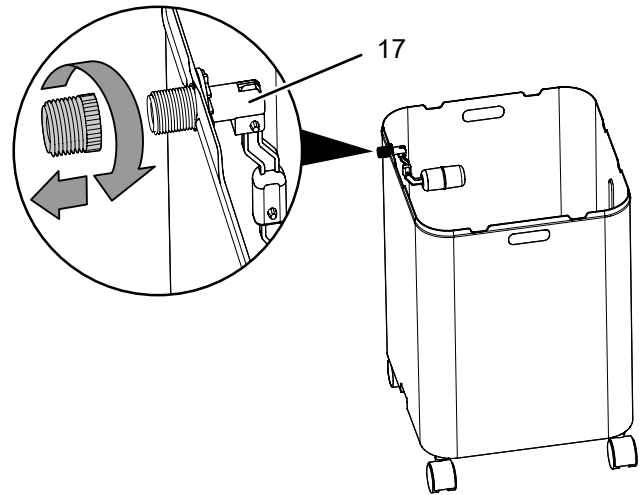
Assembly

Please proceed as follows to assemble the device:

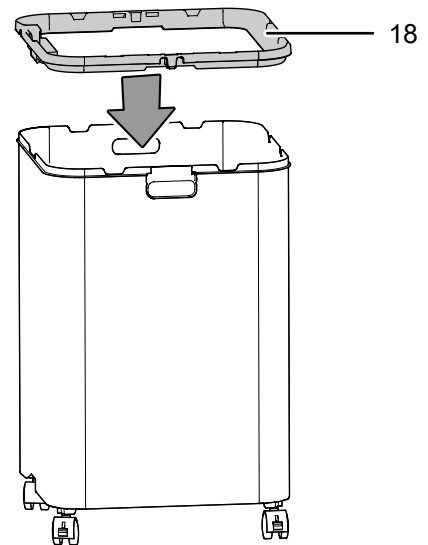
1. Turn the water tank (5) upside down and insert the castors (6) into the holes at the bottom of the device.



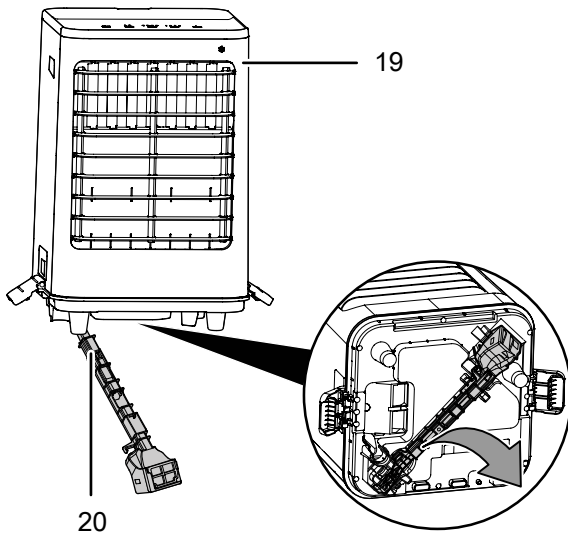
2. Fasten the float (17) to the water tank as shown.



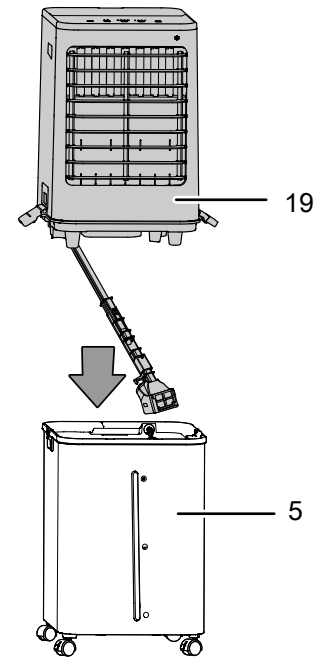
3. Place the top piece of the water tank (18) on the water tank.



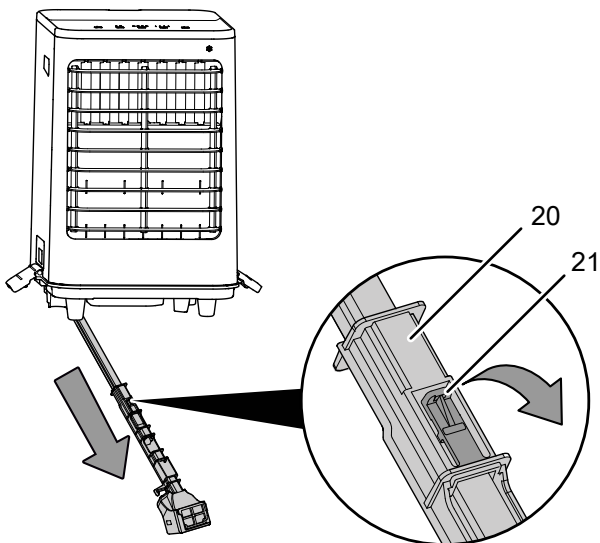
4. If necessary, remove the adhesive tape with which the pump holder (20) is attached to the underside of the top section and detach the pump holder (20) from the top section (19) of the device as shown.



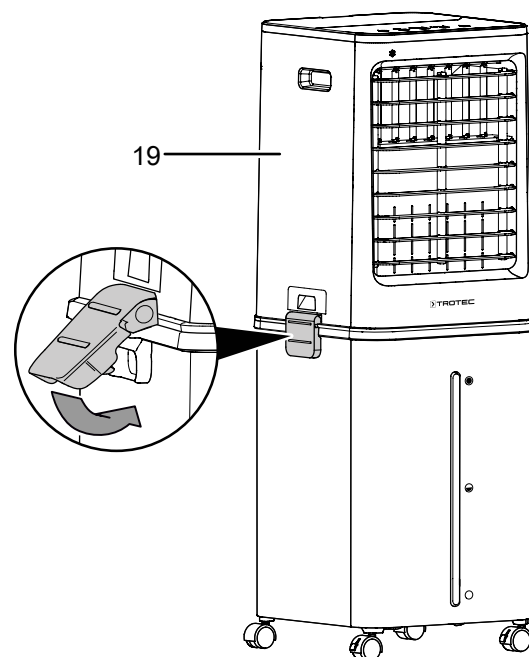
6. Place the top section (19) of the device onto the water tank (5). Be careful not to damage the pump.



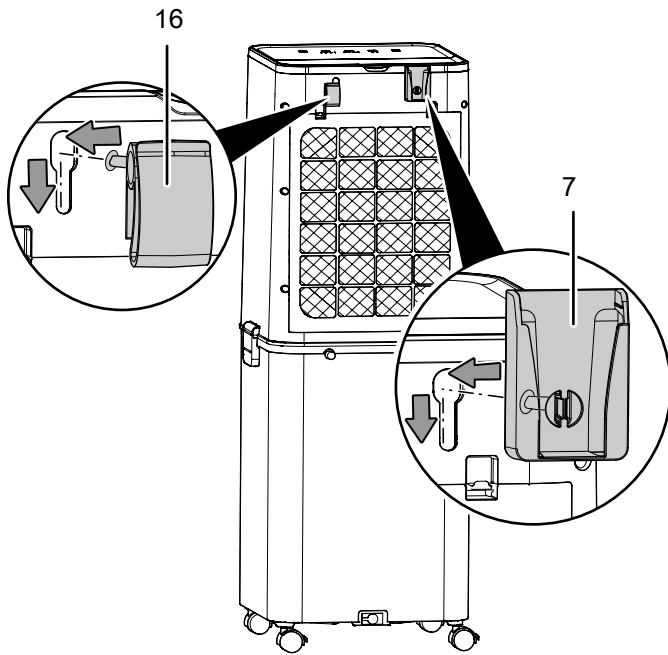
5. **PAE 80 / PAE 81:** Open the catch (21) on the inside of the pump holder (20) in the direction of the arrow and pull the telescopic rod out of the pump holder (20) a little.



7. Close the fasteners on the top section (19) of the device on both sides.

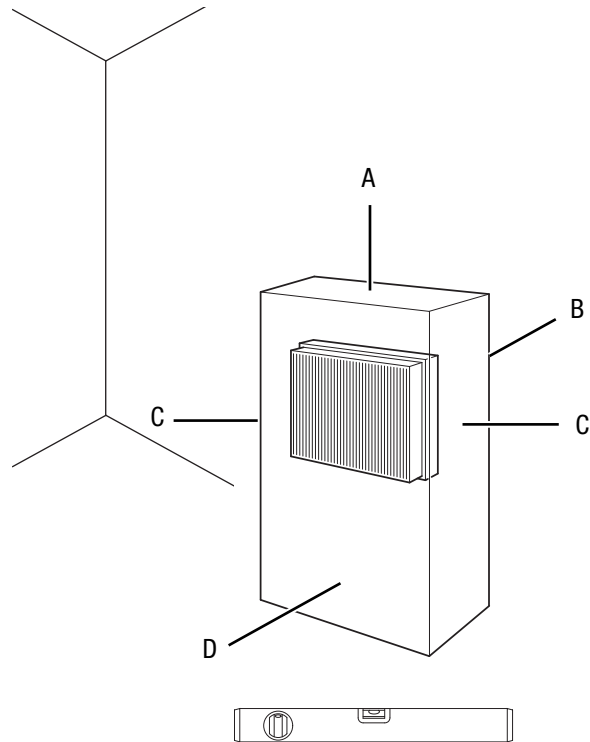


8. Fit the remote control holder (7) and the power cable holder (16) to the device.



Start-up

When positioning the device, observe the minimum distance from walls or other objects as described in the chapter Technical annex.



- Before restarting the device, check the condition of the power cable. If there are doubts as to the sound condition, contact the customer service.
- Only put up the device in an upright, stable position on firm ground.
- Do not create tripping hazards when laying the power cable or other electric cables, especially when positioning the device in the middle of the room. Use cable bridges.
- Make sure that extension cables are completely unrolled.
- Make sure that no curtains or other objects interfere with the air flow.

Observe the following before operating the device after a period of non-use or after the device has been stored:

- Clean the housing and the water tank prior to recommissioning (see chapter Maintenance).

Filling the water tank

The device requires fresh drinking water for air cooling.



Warning of electrical voltage

Before any work on the device, remove the mains plug from the mains socket!

Do not touch the mains plug with wet or damp hands. Hold onto the mains plug while pulling the power cable out of the mains socket.

Note

Fill the device with fresh drinking water only. The water temperature must not exceed 40 °C.



Info

If possible, change the water every 3 days to prevent bacterial growth.

Observe the following when using the ice packs:

- Put the ice packs into a freezer for at least 4 hours before use.
- Put the ice packs into the water tank before filling water into the tank.



Info

When using ice packs at high outside temperatures, condensation may form at the water tank and drip onto the floor.



Info

Before filling the device with water, make sure that the float is attached. If the float has not been attached yet, proceed as described in the section *Assembly* in the "Assembly and start-up" chapter.



Warning

If the float is defective, the water tank may overflow! Check the float for proper functioning before using the device! Replace the float if it is damaged. Clean the float if it is soiled.

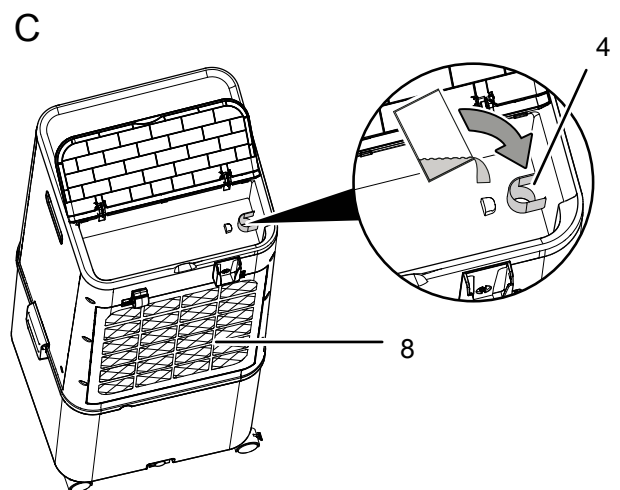
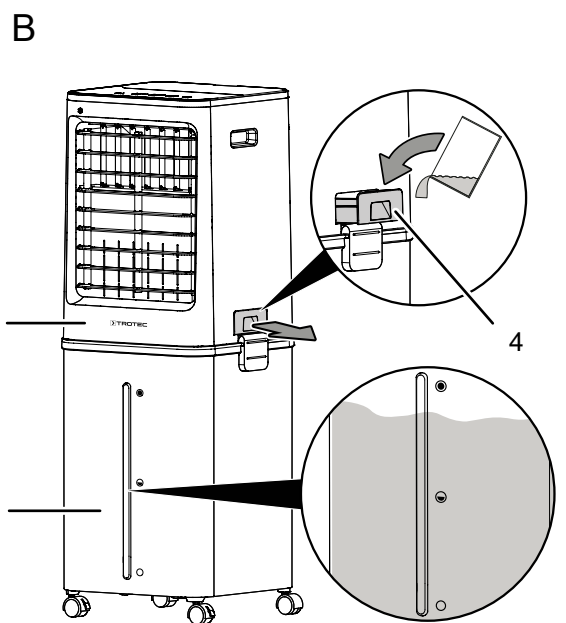
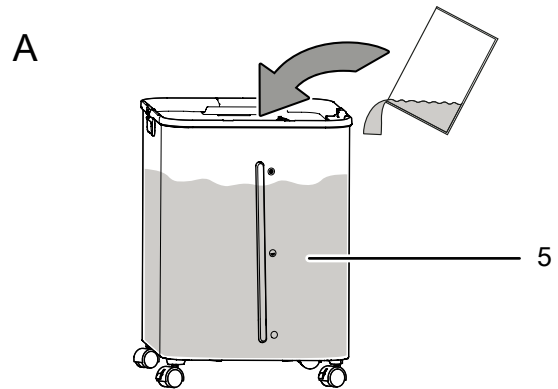
There are several ways to fill in water.

1. Disconnect the device from the mains before refilling water or putting ice packs into the device.
2. **Version A:** Open the fasteners on the water tank (5) and remove the top section (19) of the device. Fill the water tank with water.

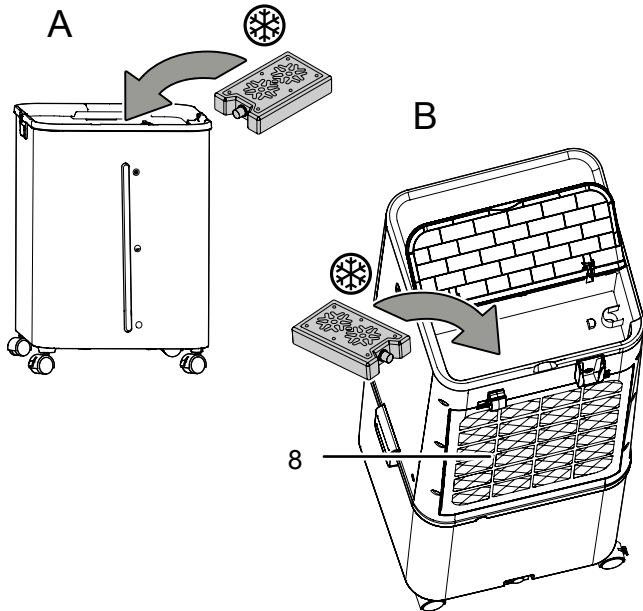
Version B: Open the water funnel (4) on the water tank (5) and fill water into the water tank via the water funnel.

Version C: Open the flap above the air inlet (8) and fill water into the water funnel (4) from above.

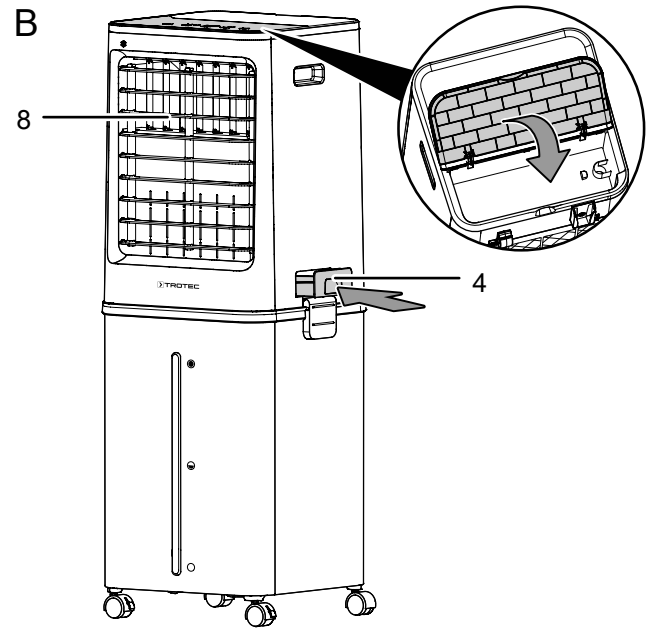
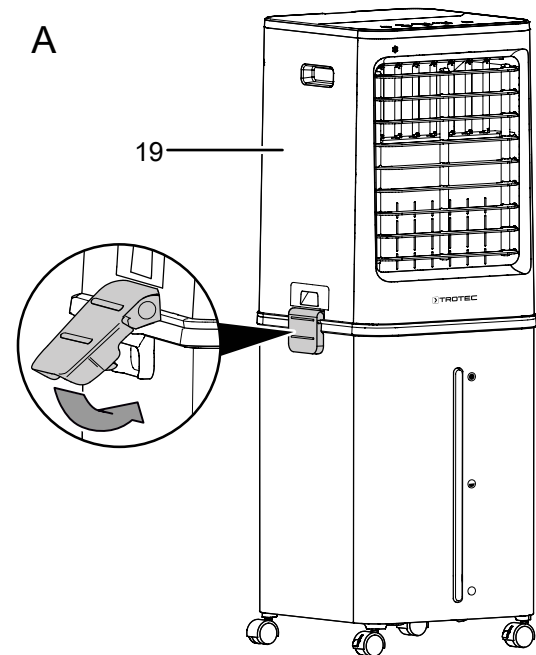
- ⇒ Fill the water tank with fresh drinking water only. Optionally, you can add ice cubes made of drinking water for additional cooling.
- ⇒ Observe the minimum and maximum filling level at the filling level indicator.



3. **Version A:** If required, put the ice packs into the water tank (5) for additional cooling.
Version B: Open the flap above the air inlet (8) and put ice packs into the open compartment if required.



4. **Version A:** Put the top section (19) of the device back on the water tank (5) and connect the top section and water tank using the fasteners.
Version B: Close the water funnel (4) and the flap above the air inlet (8).



5. Make sure that the device is neither damp nor wet on the outside. Otherwise wipe it dry.

Inserting evaporation filter and air filter

Note

When set to air cooling mode, the device must not be operated without the evaporation filter, otherwise *cooling* will not work.

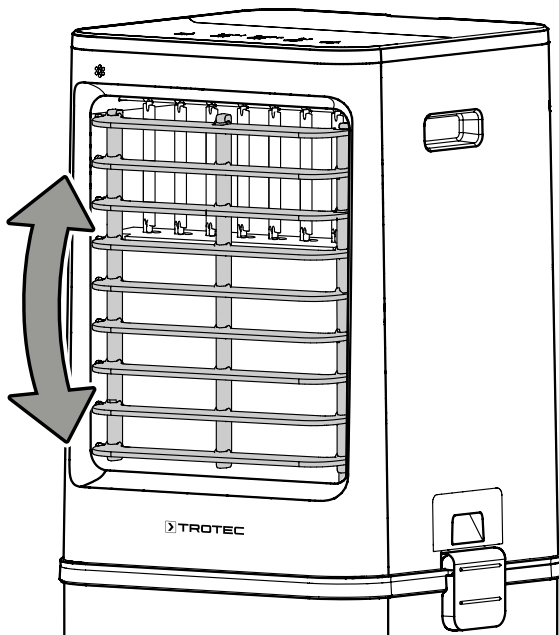
Note

Do not operate the device without an air filter inserted into the air inlet!
 Without the air filter, the inside of the device will be heavily contaminated. This could reduce the performance and result in damage to the device.

- Make sure that both the evaporation and the air filter are installed before switching the device on.
- Make sure that the water filter is installed before adding water.

Adjusting the ventilation flaps

- Prior to switching the device on, adjust the ventilation flaps at the air outlet.

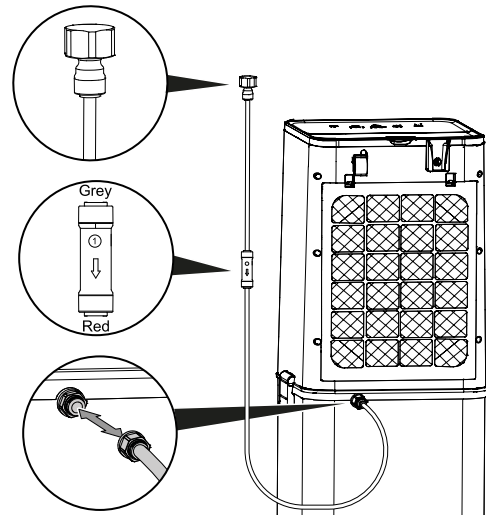


Note

Once you have disassembled the hose into its individual components, this hose must no longer be used.

Please observe the water inlet pressure, which ranges from 0.1 MPa (1 bar) to 0.4 MPa (4 bar.). The water temperature should be below 25 °C.

- ✓ The device is switched off and disconnected from the mains.



Permanent water connection

If you use the device for an extended period of time or you do not want to fill the water tank con all the time, you can connect a permanent water connection hose to the hose connection (9).



Info

Before connecting the permanent water connection hose, make sure that the float is attached. If the float has not been attached yet, proceed as described in the section *Assembly* in the "Assembly and start-up" chapter.



Warning

If the float is defective, the water tank may overflow! Check the float for proper functioning before using the device! Replace the float if it is damaged. Clean the float if it is soiled.

Note

The required permanent water connection hose with check valve for permanent water connection is not included in the scope of delivery.

1. Open the hose connection (9) at the float.
2. Connect the permanent water connection hose to the hose connection (9). Pay attention to the correct direction of connection.
3. Guide the other hose end to a suitable water connection. The permanent water connection hose must not be kinked.

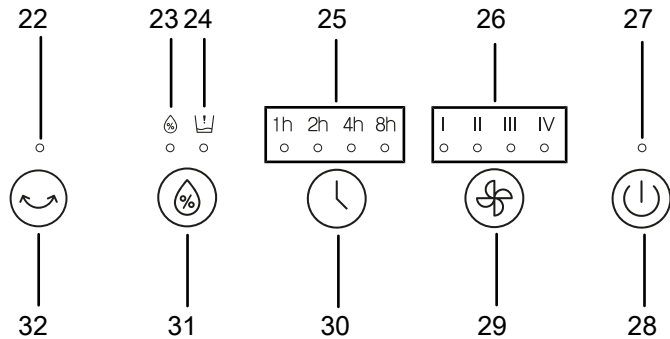
Connecting the power cable

- Insert the mains plug into a properly fused mains socket.

Operation

- Avoid open doors and windows.

Control panel



No.	Designation	Meaning
22	Swing LED	Illuminated when swing function is activated
23	Air cooling LED	Illuminated when <i>air cooling</i> mode is activated
24	Water tank empty LED	Illuminated when the water tank is empty
25	Hours LEDs	Indication of the number of hours of the activated timer (1 to 15 h) through a combination of the LEDs 1 h, 2 h, 4 h and/or 8 h.
26	Fan speed LEDs	Illuminated according to the fan speed: I Stage 1 = low II Stage 2 = medium III Stage 3 = high IV Stage 4 = very high
27	On/Off LED	Illuminated when the device is switched on
28	On/Off button	Switching the device on or off
29	Speed button	Increase or decrease fan speed
30	Timer button	Switching the timer on or off
31	Air cooling button	Switching the <i>air cooling</i> mode on or off
32	Swing button	Switching the swing function on or off

Switching the device on

Once you have completely installed the device as described in the chapter Assembly and start-up, you can switch it on:

1. Press the *On/Off* button (28) on the device.
 - ⇒ An acoustic signal is emitted.
 - ⇒ The device starts automatically.
 - ⇒ The device starts in ventilation mode. The *fan speed* LED (26) of fan stage 1 is illuminated.

Setting the operating mode

The device comes with the following operating modes:

- *Air cooling*
- *Ventilation*

Air cooling

The *air cooling* mode can be switched on in addition during all other operating modes.

During *air cooling* mode, the pump is switched on and the water is distributed over the evaporation filter to cool the circulating air with water. In air cooling mode the air is humidified at the same time.

Please proceed as follows to activate *air cooling*:

- ✓ The water tank (5) must be filled up with water at least to the minimum filling level.
1. Press the *air cooling* button (31).
 - ⇒ The *air cooling* LED (23) is illuminated.
 - ⇒ The pump starts.
 2. Press the *fan speed* button (29) to set the desired fan speed.
 - ⇒ The corresponding *fan speed* LED (26) will be illuminated.
 3. Press the *cooling* button (31) again to switch air cooling off.
 - ⇒ The *air cooling* LED (23) goes out.
 - ⇒ The device continues to run in the previously selected operating mode with the pump being switched off.



Info

The *water tank empty* LED (24) is illuminated when the water tank is empty. Fill the water tank as described in *Filling the water tank*.

Note

When *Air cooling* mode is activated, the air and evaporation filter must not be removed, otherwise the water from the filter will drip down into the device.

Ventilation

In *ventilation* mode, you can select all 4 fan speeds manually.
Air cooling mode is not activated.

Please proceed as follows to activate *ventilation*:

1. Press the *fan speed* button (29) to set the desired fan speed.
⇒ The corresponding *fan speed* LED (26) will be illuminated.

Setting the timer

The function can be set in addition in all operating modes.
The number of hours can be set to 1 h to 15 h by a combination of the LEDs 1 h, 2 h, 4 h and/or 8 h.

Automatic switch-on

- ✓ The device is now in standby mode.
1. Press the *timer* button (30) until the desired number of hours is shown by a combination of the different *hours* LEDs (25).
⇒ The timer programming is activated.
⇒ The timer setting equals the desired number of hours.
⇒ The device switches on automatically after the set number of hours has elapsed.

Automatic switch-off

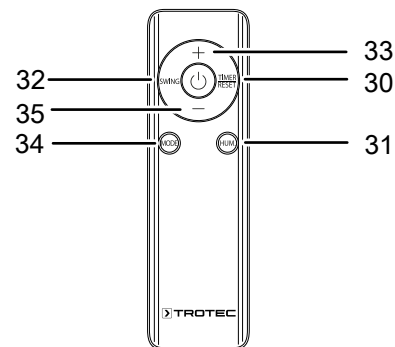
- ✓ The device is switched on.
1. Press the *timer* button (30) until the desired number of hours is shown by a combination of the different *hours* LEDs (25).
⇒ The timer programming is activated.
⇒ The timer setting equals the desired number of hours.
⇒ The device switches off automatically after the set number of hours has elapsed.

Notes regarding automatic switch-on and switch-off:

- Manually switching the device on disables the automatic switch-on function.
- If the power supply is interrupted, the timer will be deactivated.
- Pressing the *On/Off* button (28) deactivates the automatic switch-on and switch-off function.

Remote control

All settings of the device can also be made using the remote control included in the scope of delivery.



No.	Designation	Meaning
30	<i>Timer</i> button	Switching the timer on or off: 1 h – 15 h
31	<i>Air cooling</i> button	Switching the <i>air cooling</i> mode on or off
32	<i>Swing</i> button	Switching the swing function on or off
33	+ button	Increasing the fan speed
34	<i>Mode</i> button	Switching between the operating modes
35	- button	Reducing the fan speed

Swing function

The swing function can be switched on in any operating mode if required.

The air flaps rotate automatically if the swing function is switched on, thus providing a continuous air circulation.

1. Press the *swing* button (32) to switch the swing function on or off.

Memory function

If you switch the device back on from standby mode, the settings selected for the operating mode and swing function are saved. Any activated timer will not be saved in the device.

Adding water

An empty water tank is indicated by the device with a prompt. The *water tank empty* LED (24) is illuminated. In this case, the water tank must be refilled.

The device requires fresh drinking water for air cooling:



Warning of electrical voltage

Before any work on the device, remove the mains plug from the mains socket!
Do not touch the mains plug with wet or damp hands. Hold onto the mains plug while pulling the power cable out of the mains socket.



Info

If possible, change the water every 3 days to prevent bacterial growth.

Note

Fill the device with fresh drinking water only. The water temperature must not exceed 40 °C.

- Put the ice packs into a freezer for at least 4 hours before use.
- Put the ice packs into the water tank before filling water into the tank.

To refill with water, proceed as described under Filling the water tank (see chapter Assembly and start-up).

Shutdown



Warning of electrical voltage

Do not touch the mains plug with wet or damp hands.

- Switch the device off.
- Hold onto the mains plug while pulling the power cable out of the mains socket.
- When using the permanent water connection hose:
 - Turn off the water supply.
 - Please note that there is still water left in the permanent water connection hose when you disconnect it.
 - Disconnect the permanent water connection hose from the hose connection (9) of the device and from the water supply.
 - Close the hose connection (9) on the device.
- Empty and clean the water tank (see chapter Maintenance).
- Clean the device according to the Maintenance chapter.
- Store the device according to the Transport and storage chapter.

Available accessories



Warning

Only use accessories and additional equipment specified in the operating manual. Using insertion tools or accessories other than those specified in the operating manual may cause a risk of injury.

Designation	Article number
Evaporation filter PAE 60 / PAE 61 / PAE 80 / PAE 81	7.710.000.867
Air filter PAE 60/80	7.710.000.866
Air filter PAE 61/81	7.710.000.868

Errors and faults

The device has been checked for proper functioning several times during production. If malfunctions occur nonetheless, check the device according to the following list.

The device does not start:

- Check the power connection.
- Check the power cable and mains plug for damage.
- Check the on-site fusing.
- Wait for 10 minutes before restarting the device. If the device is not starting, have the electricians checked by a specialist company or by Trotec.

The device works with reduced or no capacity:

- Check the position of the horizontal ventilation flaps. They should be opened to the maximum.
- Check the air filter for dirt. If necessary, clean or replace the air filter.
- Check the minimum distance to walls or other objects. Position the device a little more in the room's centre if required.

The device is running, but there is no air cooling or pump operation:

- Check whether *air cooling* mode is activated.
- Check the filling level of the water tank (see Filling the water tank).
- Check whether there are any objects blocking the pump inlet. Make sure that the pump inlet is not blocked.
- In case the pump does not operate despite a correctly filled water tank and activated air cooling mode, the pump might be defective. Please contact the customer service.

Water is leaking:

- Check the device for leaks.
- Check the water tank for tight fit.

The swing function is not working:

- The swing function motor might be defective. Please contact the customer service.

The device is loud or vibrates:

- Check whether the device is set up in a stable and upright position.

The device does not respond to the infrared remote control:

- Check whether the distance between remote control and device is too large and reduce it if necessary.
- Make sure there are no obstacles, such as furniture or walls, between the device and the remote control. Ensure visual contact between device and remote control.
- Check the charging status of the batteries and change them if required.
- If the batteries have just been changed, check them for correct polarity.

The *hours* LEDs flash twice and then go out for three seconds:

- There is a transmission or display error. Contact the Trotec customer service.

The device still does not operate correctly after these checks:

Please contact the customer service. If necessary, bring the device to an authorised specialist electrical company or to Trotec for repair.

Maintenance

Maintenance intervals

Maintenance and care interval	before every start-up	as needed	every 3 days	at least every 2 weeks	at least every 4 weeks	at least annually
Cleaning the water tank			X			
Check air inlets and outlets for dirt and foreign objects and clean if necessary	X				X	
Clean the exterior		X				X
Visual inspection and functional check of the float	X					
Visually check the inside of the device for dirt		X				X
Check the air filter for dirt and foreign objects and clean if necessary	X			X		
Replacing the evaporation filter		X				
Check for damage	X					
Check the attachment screws		X				X
Test run						X

Maintenance and care log

Device type:

Device number:

Maintenance and care interval	1	2	3	4	5	6	7	8	9	10	11	12	13	14	15	16
Cleaning the water tank																
Check air inlets and outlets for dirt and foreign objects and clean if necessary																
Clean the exterior																
Visual inspection and functional check of the float																
Visually check the inside of the device for dirt																
Check the air filter for dirt and foreign objects and clean if necessary																
Replacing the evaporation filter																
Check for damage																
Check the attachment screws																
Test run																
Remarks:																

1. Date: Signature:	2. Date: Signature:	3. Date: Signature:	4. Date: Signature:
5. Date: Signature:	6. Date: Signature:	7. Date: Signature:	8. Date: Signature:
9. Date: Signature:	10. Date: Signature:	11. Date: Signature:	12. Date: Signature:
13. Date: Signature:	14. Date: Signature:	15. Date: Signature:	16. Date: Signature:

Activities required before starting maintenance



Warning of electrical voltage

Do not touch the mains plug with wet or damp hands.

- Switch the device off.
- Hold onto the mains plug while pulling the power cable out of the mains socket.

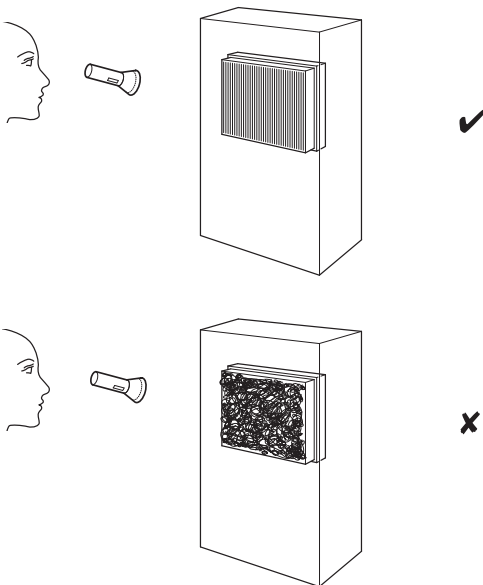


Warning of electrical voltage

Tasks which require the device to be opened must only be carried out by authorised specialist companies or by Trotec.

Visual inspection of the inside of the device for dirt

1. Remove the air filter.
2. Use a torch to illuminate the openings of the device.
3. Check the inside of the device for dirt.
4. If you see a thick layer of dust, have the inside of the device cleaned by a specialist electrical company or by Trotec.
5. Put the air filter back in.



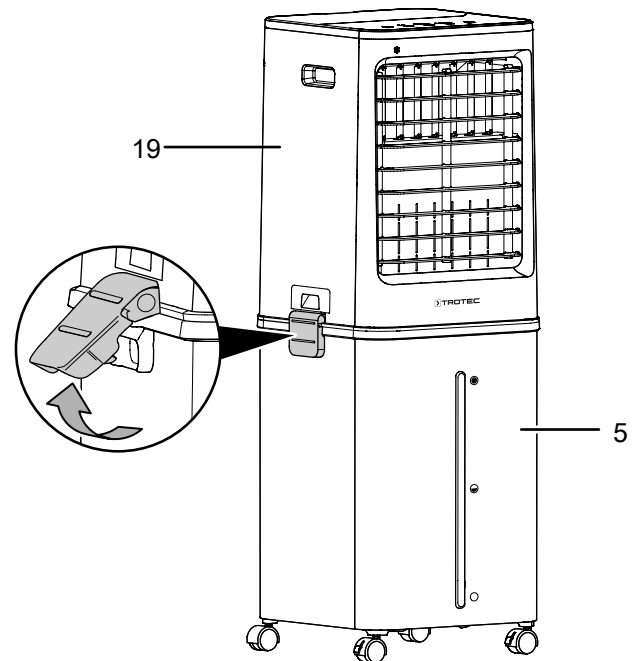
Cleaning the housing

Clean the housing with a soft, damp and lint-free cloth. Make sure that no moisture enters the housing. Protect electrical components from moisture. Do not use any aggressive cleaning agents such as cleaning sprays, solvents, alcohol-based or abrasive cleaners to dampen the cloth.

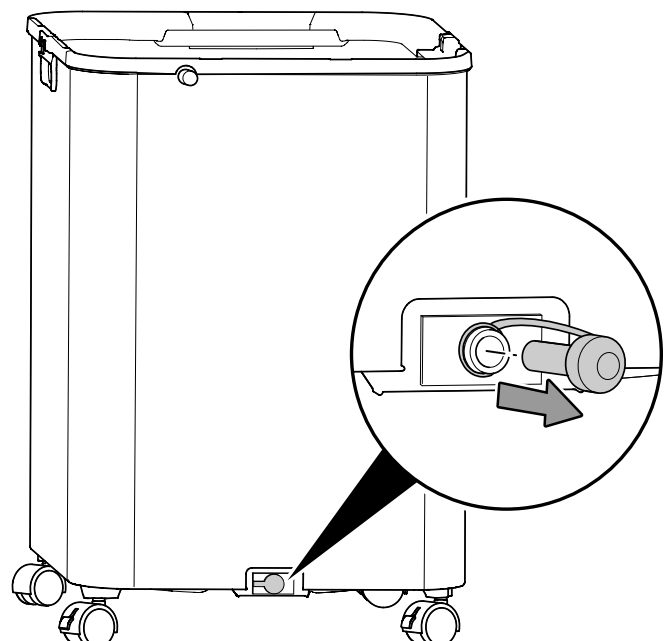
Cleaning the water tank

The water tank should be cleaned every 3 days if actively used. Use household vinegar as cleaning/descaling agent. Observe the manufacturer's specifications and hazard warnings of the descaling agent. Empty and clean the water tank before a longer period of non-use or storage and prior to recommissioning (e.g. if the unit has been stored for several months and is dusty).

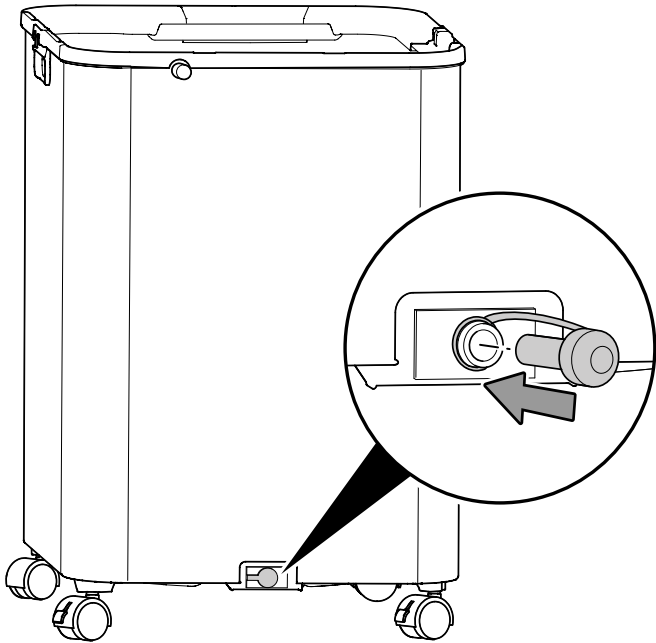
1. Open the fasteners on the water tank (5).
2. Remove the top section (19) from the device.



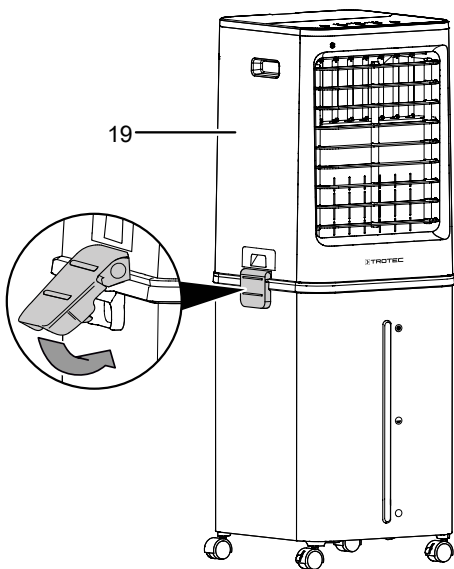
3. Open the water outlet and drain the residual water from the water tank.



4. Thoroughly rinse the water tank with household vinegar (descaling agent).
5. Then rinse the device with water and drain it again through the water outlet.
6. Dry the inside of the water tank with a lint-free cloth.
7. Close the water outlet.



8. Fill the water tank with fresh drinking water if you want to continue operation (see Adding water).
9. Place the top section (19) of the device back onto the water tank.
10. Use the fasteners to connect the water tank and the top section (19) of the device.



Cleaning the air filter

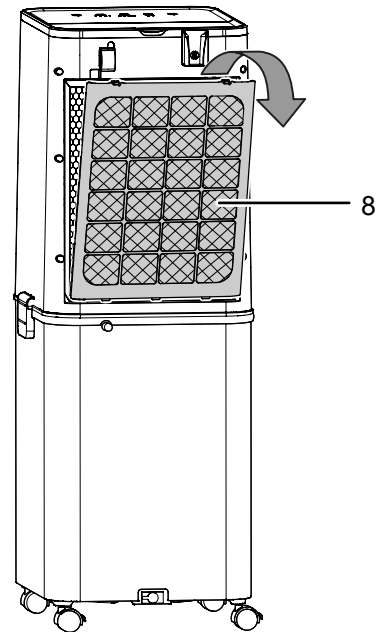
The air filter has to be cleaned as soon as it is dirty. This is brought to light e.g. by a reduced capacity (see chapter Errors and faults).



Warning

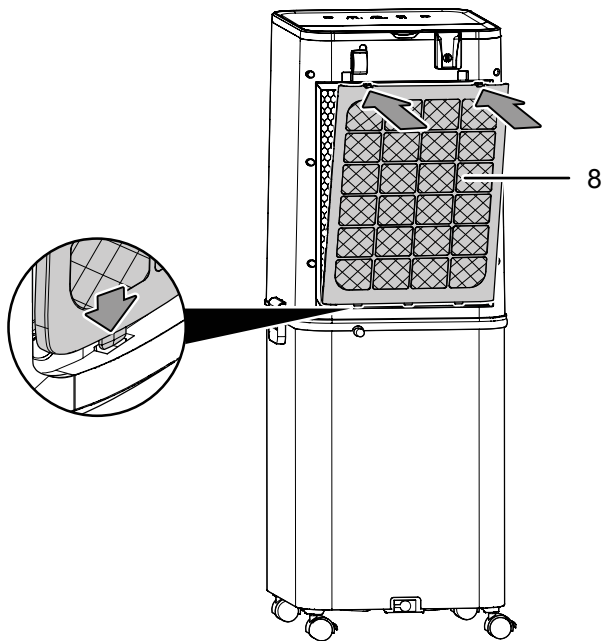
Ensure that the air filter is not worn or damaged. The corners and edges of the air filter must not be deformed or rounded. Before reinserting the air filter, make sure that it is undamaged and dry!

1. Remove the air filter (8) from the device.

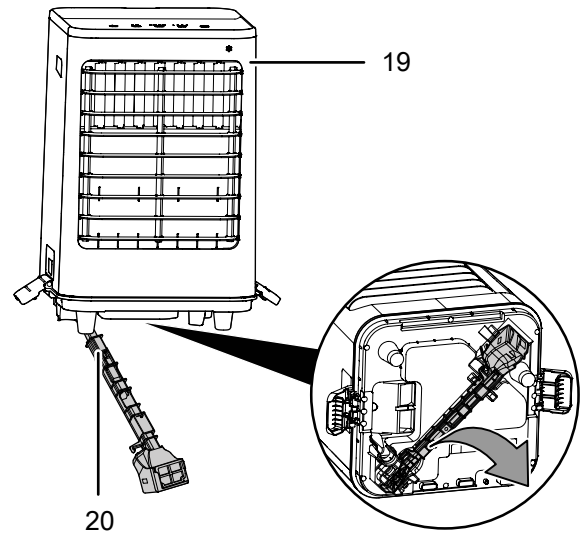


2. Clean the filter using a slightly damp, soft, lint-free cloth. If the filter is heavily contaminated, clean it with warm water mixed with a neutral cleaning agent.
3. Allow the filter to dry completely. Do not insert a wet filter into the device!

4. Reinsert the air filter (8) into the device.



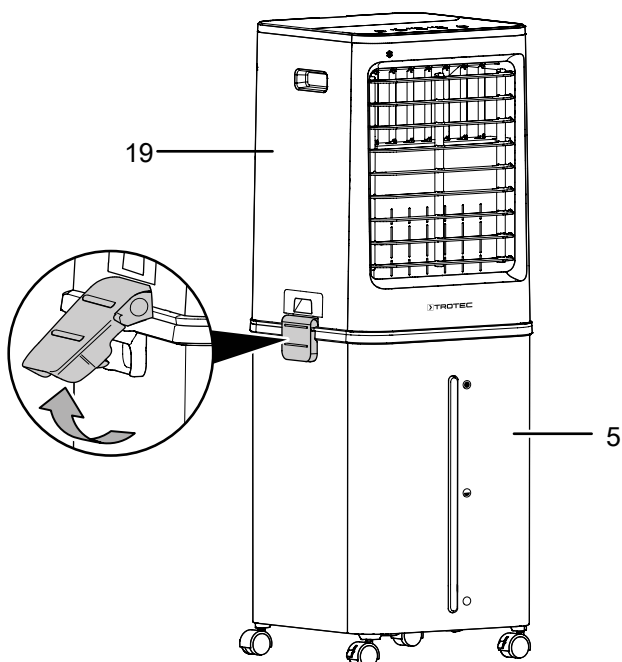
3. Detach the pump holder (20) from the top section (19) of the device as shown.



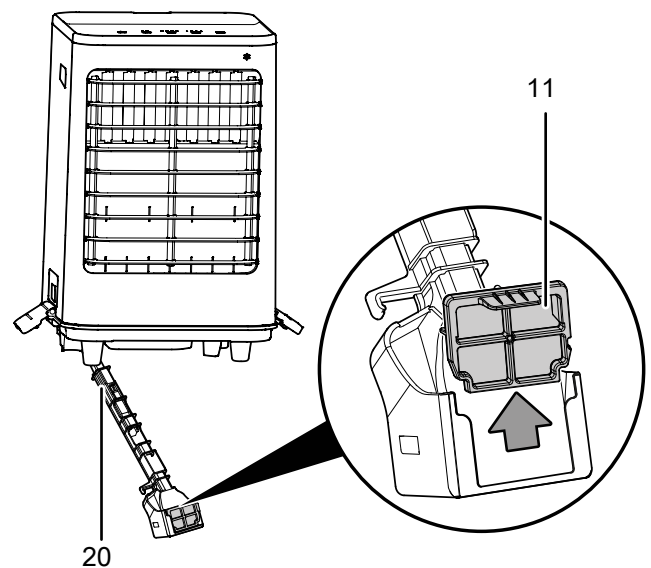
4. Remove the water filter (11) from the pump holder (20).

Clean the water filter

1. Open the fasteners on the water tank (5).

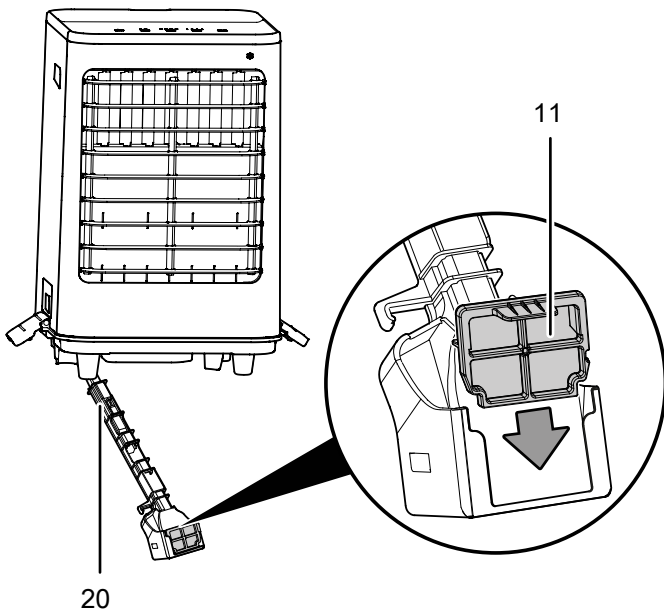


2. Remove the top section (19) from the device.

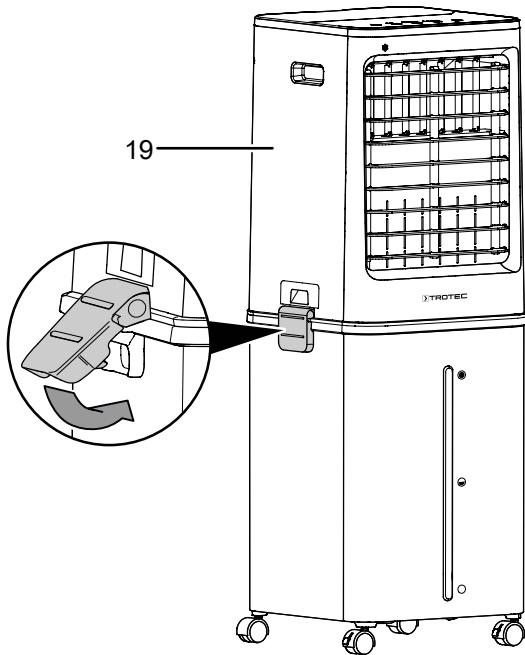


5. Clean the water filter (11) using a slightly damp, soft, lint-free cloth. If the filter is heavily contaminated, clean it with warm water mixed with a neutral cleaning agent.

6. Reinsert the water filter (11) into the pump holder (20).



7. Fill the water tank with fresh drinking water if you want to continue operation (see Adding water).
8. Place the top section (19) of the device back onto the water tank (5).
9. Close the fasteners on the top section (19) of the device on both sides.



Replacing the evaporation filter

Note

When set to air cooling mode, the device must not be operated without the evaporation filter, otherwise *cooling* will not work.

Note

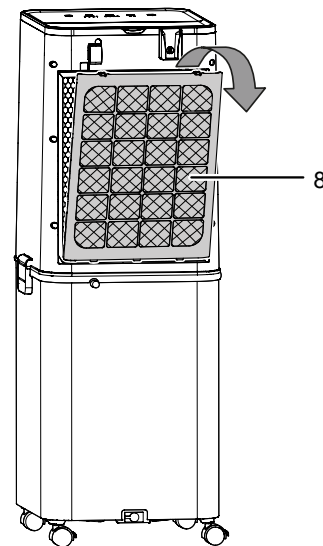
Do not operate the device without an inserted air filter! Without the air filter, the inside of the device will be heavily contaminated. This could reduce the performance and result in damage to the device.

The evaporation filter should be replaced in case of heavy soiling.

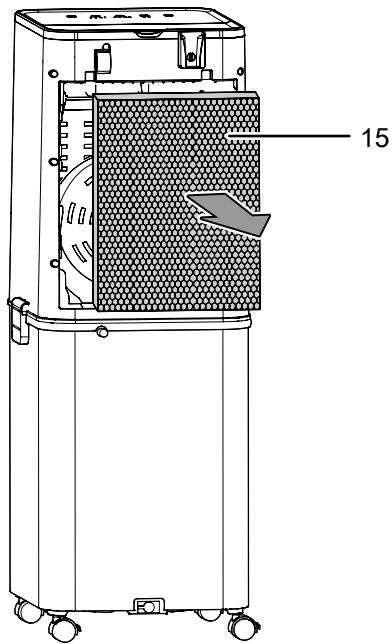
In standard operation, the interval for replacing the evaporation filter is approx. 1 year.

Allow the evaporation filter to dry before removing it from the device.

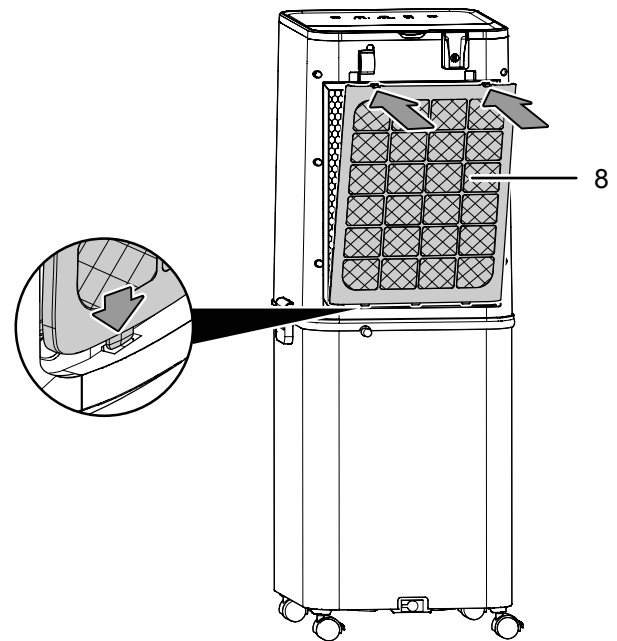
1. Remove the air filter (8) from the device.



2. Remove the evaporation filter (15) from the device.

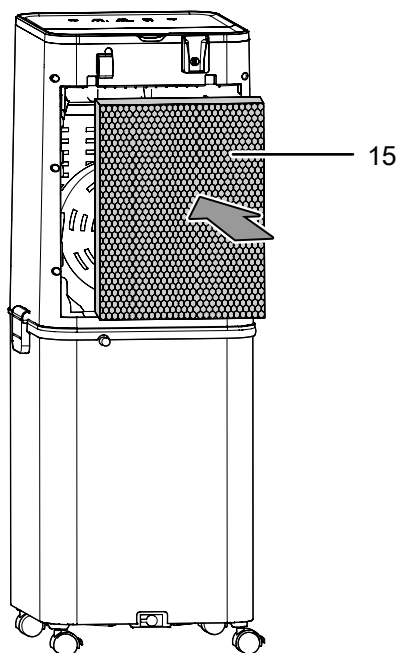


5. Reinsert the air filter (8) into the device.



3. Dispose of used evaporation filter according to the national regulations.

4. Insert the evaporation filter (15) into the device.



Activities required after maintenance

If you want to continue using the device:

- Reconnect the device to the mains.

If you do not intend to use the device for a considerable time:

- Store the device according to the Transport and storage chapter.

Technical annex
Technical data

Parameter	Value			
	PAE 60	PAE 61	PAE 80	PAE 81
Model	PAE 60	PAE 61	PAE 80	PAE 81
Colour	black	white	black	white
Evaporation capacity	2600 ml/h	2600 ml/h	2800 ml/h	2800 ml/h
Air flow rate	900 m ³ /h	900 m ³ /h	1000 m ³ /h	1000 m ³ /h
Mains connection	220–240 V / 50/60 Hz	220–240 V / 50/60 Hz	220–240 V / 50/60 Hz	220–240 V / 50/60 Hz
Nominal current consumption	0.4 A	0.4 A	0.5 A	0.5 A
Power consumption	100 W	100 W	125 W	125 W
Sound pressure level (1 m distance)	56 dB(A)	56 dB(A)	59 dB(A)	59 dB(A)
Water tank capacity	40 l	40 l	60 l	60 l
Weight	14 g	14 g	18 g	18 g
Dimensions (length x width x height)	395 x 405 x 980 mm	395 x 405 x 980 mm	395 x 405 x 1115 mm	395 x 405 x 1150 mm
Minimum distance to walls and other objects:				
top (A):	100 cm	100 cm	100 cm	100 cm
rear (B):	100 cm	100 cm	100 cm	100 cm
sides (C):	100 cm	100 cm	100 cm	100 cm
front (D):	100 cm	100 cm	100 cm	100 cm

Disposal

Always dispose of packing materials in an environmentally friendly manner and in accordance with the applicable local disposal regulations.



The icon with the crossed-out waste bin on waste electrical or electronic equipment stipulates that this equipment must not be disposed of with the household waste at the end of its life. You will find collection points for free return of waste electrical and electronic equipment in your vicinity. The addresses can be obtained from your municipality or local administration. You can also find out about other return options that apply for many EU countries on the website <https://hub.trotec.com/?id=45090>. Otherwise, please contact an official recycling centre for electronic and electrical equipment authorised for your country.

The separate collection of waste electrical and electronic equipment aims to enable the re-use, recycling and other forms of recovery of waste equipment as well as to prevent negative effects for the environment and human health caused by the disposal of hazardous substances potentially contained in the equipment.



In the European Union, batteries and accumulators must not be treated as domestic waste, but must be disposed of professionally in accordance with Directive 2006/66/EC of the European Parliament and of the Council of 6 September 2006 on batteries and accumulators. Please dispose of batteries and accumulators according to the relevant legal requirements.

Only for United Kingdom

According to Waste Electrical and Electronic Equipment Regulations 2013 (2013/3113) and the Waste Batteries and Accumulators Regulations 2009 (2009/890), devices that are no longer usable must be collected separately and disposed of in an environmentally friendly manner.

Trotec GmbH

Grebener Str. 7
D-52525 Heinsberg

☎ +49 2452 962-400

☎ +49 2452 962-200

✉ info@trotec.com

www.trotec.com