

# PARTS DRAWING

  
**2500KG**  
**Pallet Truck**  
**Product Code:**  
**E2500PTS**

**Serial Number Range:**

**Year Of Manufacture:**



**KEEP THIS BOOKLET FOR FUTURE REFERENCE**

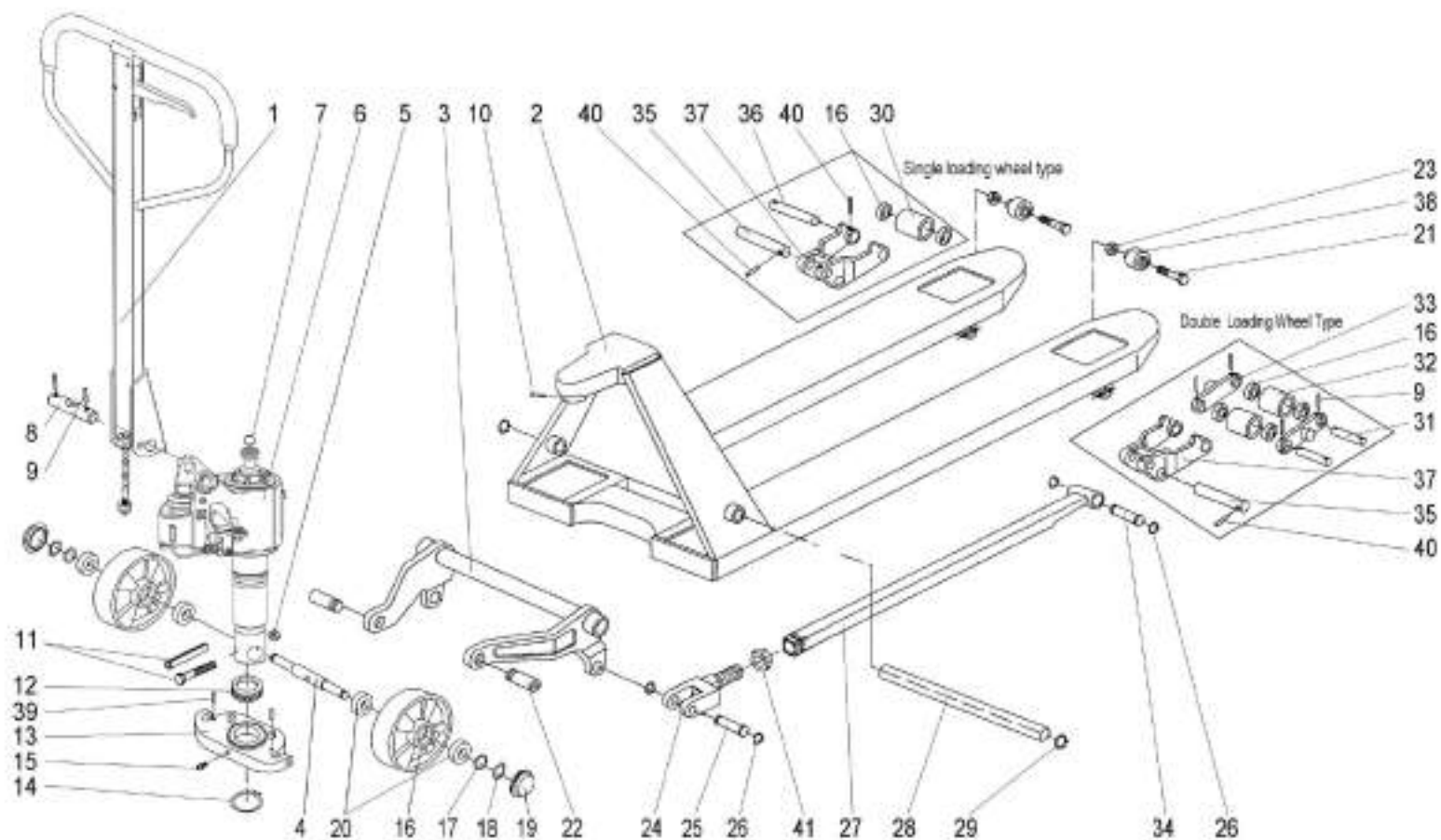


Nottingham: 0115 946 1988  
London: 0208 830 3333

[www.hscgroupuk.co.uk](http://www.hscgroupuk.co.uk)  
The Hire Supply Company (UK) Limited



Nottingham: [sales@hscgroupuk.co.uk](mailto:sales@hscgroupuk.co.uk)  
London: [sean@hscgroupuk.co.uk](mailto:sean@hscgroupuk.co.uk)



Part Number	Part Name	HSC SKU			
1	Handle Assembly	E2500PTSH	21	Hex Bolt M6x50	S/R
2	Chassis	S/R	22	Axle 16x40	S/R
3	Rocker Arm	S/R	23	Locknut M6	S/R
4	Steering Wheel Shaft	S/R	24	Rod end	S/R
5	Locknut M8	S/R	25	Axle 16x49	S/R
6	BF Pump Assembly 180	E2500PTSP	26	Snap Ring 16	S/R
7	Steel Ball	S/R	27	Push rod, 1150mm	S/R
8	Shaft For Handle	S/R	28	Rocker shaft 550mm	S/R
9	Spring Pin	S/R	29	Snap Ring 25	S/R
10	Hex Screw	S/R	30	Nylon single load wheel	N/A
11	Bolt M8x55	S/R	31	Axle 20x94	S/R
12	Bearing 51111	S/R	32	Nylon load wheel 80° 70φ	E2500PTSFW
13	Support Seat	S/R	33	Plate	S/R
14	Snap Ring 55	S/R	34	Shaft 16x92	S/R
15	Grease Nipple	S/R	35	Shaft 20x122	S/R
16	Bearing 6204-2RS	S/R	36	Shaft 20x122	S/R
17	Gasket	S/R	37	Wheel Fork	S/R
18	Snap Ring 20	S/R	38	Wheel 50x36	S/R
19	Dust Cap	S/R	39	Spring Pin 5x30	S/R
20	Nylon Steering Wheel 180φ	E2500PTSSW	40	Spring pin 5x32	S/R
			41	Nut M20°9	S/R

**S/R = Available On Special Request**

## Recycling



**ENVIRONMENTAL PROTECTION:** Please recycle any unwanted materials as opposed to disposing them as general waste. It is recommended the original is retained and used to store the product when not in use for prolonged periods of time. If this is not applicable ensure the materials are sorted and recycled in accordance with local regulations.



**SPECIFICATION CHANGE:** It is our policy to continually improve products to ensure these meet the rigours of the industry we serve. Therefore, as such we reserve the right to alter specifications, data and components parts without prior notice.

**WARRANTY:** Please refer to the manufacturer's terms & conditions

**IMPORTANT:** No liability will be accepted for the incorrect use of this product.



Nottingham: 0115 946 1988  
London: 0208 830 3333

[www.hscgroupuk.co.uk](http://www.hscgroupuk.co.uk)

The Hire Supply Company (UK) Limited



Nottingham: [sales@hscgroupuk.co.uk](mailto:sales@hscgroupuk.co.uk)  
London: [sean@hscgroupuk.co.uk](mailto:sean@hscgroupuk.co.uk)