



**USER INSTRUCTIONS**

CONTROLLED DOCUMENT No.: 00167UIRS0322V1

**IMPORTANT SAFETY INSTRUCTIONS**

Before using this product, please read these user instructions, if you do not understand any of the instructions within, please do not use the product and consult your retailer or the manufacturer. Failure to follow these instructions may result in damage to the product, property and/or cause personal injury to the user or bystanders.

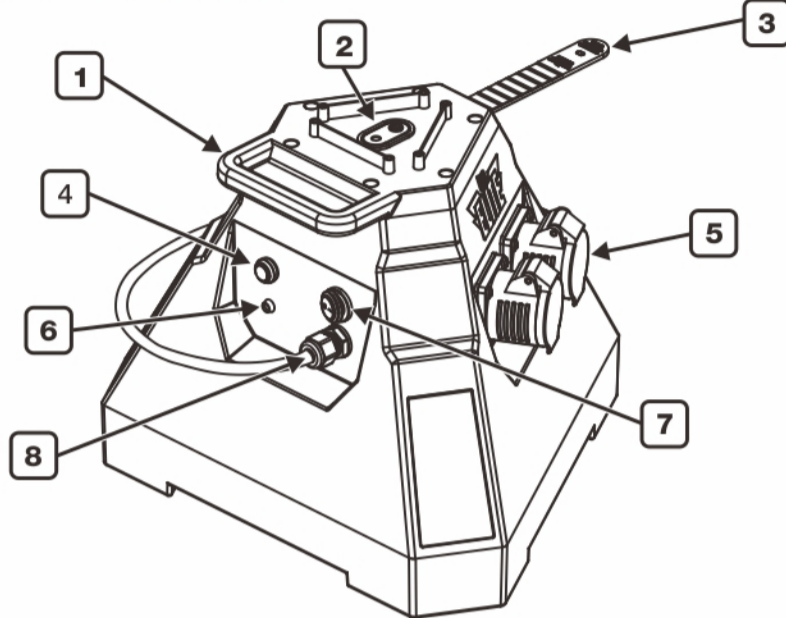
**SAFETY, OPERATION & MAINTENANCE INSTRUCTIONS FOR:**

**DL36BB**

**KEEP THESE USER INSTRUCTIONS FOR FUTURE REFERENCE**

| Table of Contents                    |          |
|--------------------------------------|----------|
| Product Key Component Identification | Page 1   |
| Inspect your new product             | Page 2   |
| Product Usage                        | Page 2   |
| Main Construction                    | Page 2   |
| General Safety Information           | Page 2   |
| Caution                              | Page 3   |
| Installation Instructions            | Page 3/4 |
| In Use Instructions                  | Page 4   |
| Operation                            | Page 4/5 |
| Maintenance, Cleaning & Storage      | Page 5   |
| Testing & Trouble shooting           | Page 6   |
| Specification Data Table             | Page 6   |
| Recycling                            | Page 7   |

**Product Key Component Identification.**



|                                     |                                    |
|-------------------------------------|------------------------------------|
| 1. Carry Handle                     | 2. LED Light Head fixing point     |
| 3. Cable Management strap           | 4. Battery Back-Up function switch |
| 5. Power Outlet Sockets X2 110V 16A | 6. Battery Back-Up LED Indicator   |
| 7. On/Off Power Switch              | 8. Mains Cable Entry Gland         |

**INSPECT YOUR NEW PRODUCT.**

The package should include the following items which should be removed from the packaging and inspected for damages:

*Elite Delta Light 36W Battery Back-Up. - Part number DL36BB*

Thank you for purchasing the Elite Delta Light 36W Battery Back-Up (DL36BB), manufactured to the highest standards drawing upon over 20 years' experience supplying the UK hire and construction industry, this product will, if used in accordance with these operating instructions, labels affixed to the product and properly maintained, provide you with many years of reliable service.

**PRODUCT USAGE**

The DL36BB is a portable 36-watt LED work light designed for use on the work site, in workshops, garages or other temporary lighting applications. The DL36BB is supplied in 110V 16A IEC60309 plug and socket formats for temporary industrial applications.

**MAIN CONSTRUCTION**

Semi-transparent diffusor manufactured from impact resistant PC providing glare free comfortable use and durability. Long life SMD LED strips for reduced power consumption and minimal heat – easy to handle and quick to store after use. Power cable manufactured from heavy duty VDE rubber cable and industrial IEC60309 plug and panel socket arrangement.

**GENERAL SAFETY INFORMATION**

Ensure power supply is correct frequency and voltage for the Delta Light DL36BB by checking the rating label affixed to the product and confirming with the supply voltage.

Prior to installation carry out the necessary risk assessment considering the people who could be at risk and the precautions required to control the risk.

Never use an electrical appliance in the rain, in wet areas or with wet hands, using an electrical appliance under these conditions greatly increases the possibility of electric shock.

Check the total load on the circuit including the luminaire does not exceed the rating of the circuit cable, fuse or circuit breaker. This includes any appliance connected to the panel outlet sockets.

Ensure that the circuit supply is isolated either by the circuit supply fuse being removed or the applicable circuit breaker being turned off before installation or any maintenance.

If any parts of the Delta Light 36W Battery Back-Up are damaged, do not use and remove from service immediately until corrected if possible. Any part that is damaged, including the casing, cable, or plug, should be repaired or replaced by a qualified electrician or a trained competent person before the product is used, ensure the product is tested for safety before being reintroduced for service.

Protect cable from contact with sharp objects, chemicals or hot surfaces. Ensure the cable does not cause a potential trip hazard to user/s or any other personnel working or passing within the operating area. Do not run cables across walkway. Once cables have been safely routed secure in position.

Please ensure that you read these instructions before using the product, and that all the safety guidelines are understood. Please keep these instructions for future reference.

**CAUTION**

Ensure power supply is switched off before connecting the Delta Light to the power supply.

**Do Not** move, reposition or install whilst connected to the power supply and switched on.

**Do Not** remove the plug from the power supply socket by pulling the cable.

**Do Not** look directly into the light source.

This Elite Delta Light is designed to be used from a 110V power supply only.

This Elite Delta Light should be positioned in a way that it does not cause an obstruction to personnel or machinery.

Ensure the Delta Light is switched off when left unattended, this is both good safety practice and saves energy.

DL36BB must not be modified in anyway. Alterations of any description may invalidate the product warranty and technical approvals.

DL36BB must only be used for its intended purpose. Ensure you are aware of all the safety requirements and the product is suitable for the task you wish to undertake.

**Never** use DL36BB if you are ill, feeling tired, or under the influence of alcohol or drugs

This DL36BB is **NOT** for use in potentially explosive atmospheres.

Do Not use the DL36BB near flammable gases or liquids.

Keep DL36BB dry wherever possible.

DL36 should only be used by a competent person who has read and understood this user manual. If in doubt of any of the instructions, please refer to the reseller or the manufacturer.

**Do Not** use the DL36BB near a heat source.

**Do Not** use the Delta Light DL36BB if any part of the power cord is or appears to be damaged.

**Keep** children and untrained personnel away from the work area, all visitors should be kept at a safe distance from the work area.

**INSTALLATION INSTRUCTIONS**

This Delta Light DL36BB is designed to be used from a 110V power supply only.

Check the total load on the circuit including the luminaire does not exceed the rating of the circuit cable, fuse or circuit breaker. The power supply of this Delta Light is shown on the external packaging and the rating plate on the product. The rating plate can be found on the base section of the product. Check power supply requirements before connecting to the supply.

Connecting the Delta Light DL36BB to the power supply must be done with care. Ensure both your hands and product is dry. Ensure no personnel are in contact with the DL36BB when first switched on.

Do Not remove the plug from the power supply socket by pulling the cable.

Do Not connect to the power supply and switch on when the mains cable is coiled up.

The DL36BB also features power outlets that can be used to link up to 15 Delta Lights together from a suitable single power source or as a convenient power source for use with a power tool. Please note the total load applied should not exceed the following:

Maximum power outlet load 1500W. **Note** this is the total power including **both** sockets.

Ensure a suitability rated power supply is used and consider all other power consumptions within the circuit before applying loads to the outlets.

**INSTALLATION INSTRUCTIONS**

If an extension lead/reel is required in order to reach the mains supply, ensure the cable/reel is uncoiled/unwound and is of the correct specification to carry the load applied. Note excessive lengths of cable may cause issues relating to voltage drops and increased resistance leading to higher currents. If in doubt of the installation consult a qualified electrician.

Do not use in or near places such as swimming pools, ponds, sauna's, bathroom's, shower rooms or similar locations.

Do not install the Delta Light where it is likely to be knocked or cause an obstruction.

If the Delta Light is to be used in a place of work or public space ensure all applicable regulations and laws are adhered to.

**IN USE INSTRUCTIONS**

Check for damaged parts! It is recommended a thorough inspect is conducted before every use, if any part is identified as damaged do not use and remove from service immediately until corrected if possible. Refer all servicing of electrical parts to a qualified electrician or a trained competent person. Failure to do so will invalidate your warranty and tested safety standards and may cause injury or property damage.

Stay alert, electric shocks can be fatal. Do not run cables close to water or through puddles, use common sense and consider risks both foreseen and unforeseen. Do not operate if you are tired, unwell or under the influence of drugs or alcohol.

Protect yourself from potential electric shocks, when working with the Elite Delta Light, avoid contact with any earthed items such as pipes and heating systems. It is advisable wherever possible to use an RCD or RCBO/RCCB in the circuit for safety.

Consider the lighting application and ensure the selected light variant is suitable. Do not use the Elite Delta Light to do a job for which it was not designed, do not modify the product in anyway.

If any abnormal operation is noted in use, this could include a strange smell or noise but not exclusively, stop operation, switch off and remove power supply, if safe to do so.

Never look directly into the light or aim it towards another person, as this could cause severe permanent eye injury.

The warning and cautions labels applied to the product and covered within these user instructions cannot cover all potential risks that may occur. It must be understood by the user to consider any other risk not mentioned and where possible mitigate these risks.

**OPERATION**

Upon initial connection of the power (110V) to the Delta Light DL36BB Battery Back-Up LED indicator will illuminate red to indicate the battery is charging.

Switch the main on/off power switch, to the on position and the main LED light tube will illuminate. Note the Battery Back-Up LED indicator will remain illuminated red to denote the battery is still charging.

Once the battery is fully charged, approximately 6-7 hrs to fully charge from empty, the Battery Back-Up LED indicator will change to green in colour.

If the light is switched off using the main on/off switch the main LED tube switches off and the plug can be removed and the light stored or moved. Note the battery does not operate and the charge level will remain at the level at which the unit was switched off.

• note the battery will discharge overtime if even if not used and this may vary dependent upon temperature. Typically this may take many weeks to make a noticeable effect on the battery capacity.

**OPERATION – cont.**

In the event the power supply to the Delta Light is disconnected whilst switched on and in use the Delta Light Battery will activate. The charge status LED will switch off and the main LED light tube will illuminate at approximately 30% (1200lm)

To switch the main LED tube off whilst in battery back-up is operational simply press the Battery Back-Up function switch, red button located above the charge status LED. Note once this has been depressed the light cannot be switched back on until the power is restored and the system is reset.

**MAINTENANCE**

Always switch off and disconnect the power supply before any routine maintenance or cleaning.

A daily check is recommended to inspect for any physical damage or abrasions to the cable.

All repairs should only be carried out by qualified service personnel or a competent person. Do not open exterior casing of the light head, as there are no user serviceable parts inside. Opening or visible attempts to open or repair a light may void any guarantee and may cause damage to the product or cause personal injury.

If the external flexible cable or cord of the luminaire is damaged, it shall be exclusively replaced by the manufacturer or his service agent or a similar qualified person to avoid potential hazard.

Do not attempt to alter the product as this will invalidate the product guarantee and invalidate safety approvals.

Only genuine Elite spare parts should be used.

If you have a problem with your unit please return it to the outlet from where you purchased it, ensuring that you have full details of your product as described on the product rating label. Should it be necessary for repairs to be undertaken, it is important to provide suitable qualified repair agent with the complete unit. Should you require service under the terms or our guarantee you will need to present proof of purchase prior to works being undertaken.

Note: Service repairers act on their own behalf and are not empowered to commit or legally bind The Hire Supply Company, in any manner whatsoever

**CLEANING**

Always switch off and disconnect the power supply before any routine maintenance or cleaning.

Do not use abrasive cleaners or polishes as these may damage the surface and reduce optical performance. Clean with a soft lightly damp cloth with a mild detergent. DO NOT immerse or submerge any part of the Elite Delta Light DL36BB in water or cleaning solution.

Never use solvents or cleaning agents containing petroleum (petrol, kerosene, oil), paint thinner, turpentine, alcohol, or ammonia. Harsh chemicals such as these can damage surfaces.

**STORAGE**

When not in use store in a dry environment.

Ensure the product is thoroughly cooled before handling and storage. Where possible retain and use the original packaging for prolonged periods of storage, conduct a thorough inspection and test after prolonged storage to ensure safe and correct operation.

**TESTING**

The Elite Delta Light contains sensitive electronics to operate the LEDs. It is therefore recommended not to conduct Flash Testing or Hi Pot Testing during periodic portable appliance testing as stated within the Code of Practice for in-service inspection and testing of electrical equipment, commonly referred as PAT Testing.

We would recommend either a reduced voltage insulation test or protective conductor/touch current measurement test to prevent damage and premature product failure.

Failure to comply with our testing recommendations will invalidate the product warranty.

**TROUBLE SHOOTING**

| FAULT DESCRIPTION               | SUGGESTED INSPECTION  |
|---------------------------------|---|
| Delta Light does not illuminate | <ul style="list-style-type: none"><li>• Check the power supply</li><li>• Check MCBs and fuses of power supply</li><li>• Check wiring in plug</li><li>• Check all visible cable for damage</li><li>• Connect Delta Light to another power supply to confirm fault location.</li><li>• Using a meter confirm the voltage at the input and output of the LED Driver.<br/>1. Input should read 110V a.c.<br/>2. Output should read 24V d.c.</li></ul> |
| Other                           | <ul style="list-style-type: none"><li>• Consult qualified electrician,</li><li>• Contact manufacturer for assistance</li></ul>  |

**SPECIFICATION DATA**

|                             |  |
|-----------------------------|--|
| PART NUMBER                 | <b>DL36BB – 36W LED Delta Light Battery Back-Up c/w cable, 16A Plug &amp; 2X panel sockets</b>   |
| VOLTAGE                     | <b>DL36BB – 110V/240V 50/60Hz</b>  |
| POWER REQUIREMENTS          | <b>DL36BB – 36W</b>  |
| LED SPECIFICATIONS          | LED Colour – 6400K, 80 CRI,<br><b>DL36BB – 3600lm</b><br><b>100lm/w</b><br>Viewing Angle – <b>360°</b>   |
| INGRESS PROTECTION          | IP44   |
| WORKING TEMPERATURE         | -10°C – 40°C   |
| DIMENSIONS                  | <b>DL36BB – 1200 x 378 x 330 mm's (HxWxD)</b>  |
| PLUG                        | 110V 16A Plug IEC 60309 IP44   |
| PANEL SOCKETS               | 110V 16A Panel Sockets IEC 60309 IP44 X2   |
| CABLE                       | 3 Core H05-RNF 1.5mm <sup>2</sup> - Black  |
| WEIGHT                      | <b>DL36BB – 4.9 kg</b>   |
| CLASSIFICATION              | <b>Class I</b>   |
| MAXIMUM POWER OUTLET LOAD   | <b>1500 Watts</b> – Ensure a suitably rated power supply is used and consider all other power consumptions within the circuit before applying loads to the outlets |
| MAXIMUM DELTA LIGHT LINKING | <b>15 Units</b> – Calculation is based on linking 36W Elite Delta Lights – DL36BB  |



**Recycling**



**ENVIRONMENTAL PROTECTION:** Please recycle any unwanted materials as opposed to disposing them as general waste. It is recommended the original packaging is retained and used to store the product when not in use for prolonged periods of time. If this is not applicable ensure the materials are sorted and recycled in accordance with local regulations.

**SPECIFICATION CHANGE:** It is our policy to continually improve products to ensure these meet the rigours of the industry we serve. Therefore, as such we reserve the right to alter specifications, data and component parts without prior notice.

**WARRANTY:** All Elite products come with a 1-year warranty from date of purchase, proof of which will be required in the event of any claim.

**IMPORTANT:** No liability will be accepted for the incorrect use of this product.

**THE HIRE SUPPLY COMPANY (UK) LIMITED**  
7-10 ELDON ROAD TRADING ESTATE,  
ATTENBOROUGH, NOTTINGHAM, NG9 6DJ, UK.  
**HSC INDUSTRIAL & COMMERCIAL EQUIPMENT (EU) LIMITED**  
1st FLOOR, Penrose 1, Penrose Dock, Cork, T23 KW81. IRELAND Registered No: 68932