



# PARTS DRAWING



**Lifan Petrol 3000psi  
Pressure Washer**

**Product Code:  
DAN3000A**



Serial Number Range:

From:

To:

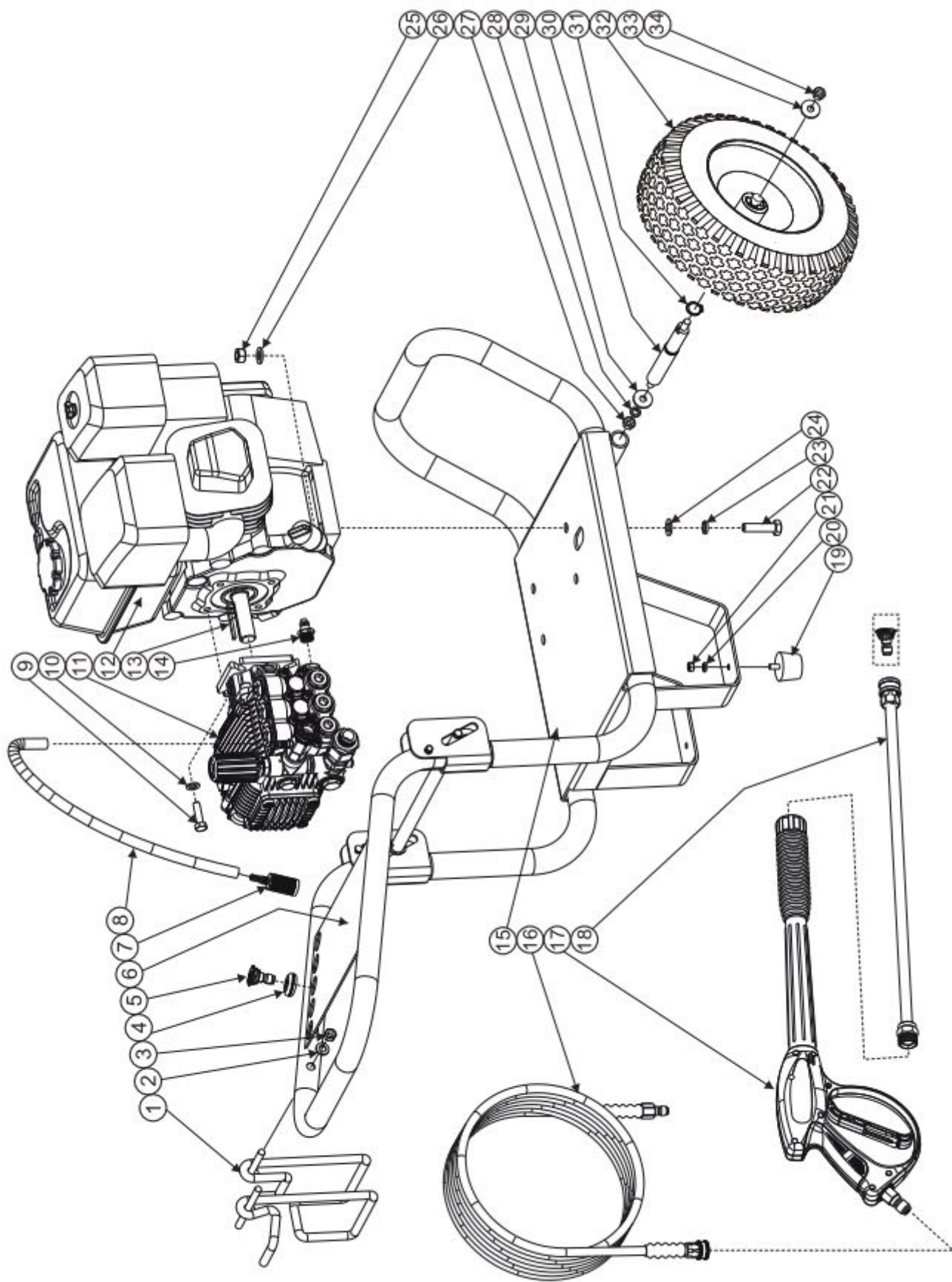
Year Of Manufacture:

**\*Please note, when ordering online via our website if the part number is not recognised,  
please Email [spares@hscgroupuk.co.uk](mailto:spares@hscgroupuk.co.uk) or Telephone 0115 946 1988**

**KEEP THIS BOOKLET FOR FUTURE REFERENCE**

Nottingham: 0115 946 1988 • London: 0208 830 3333 ✉ Nottingham: [sales@hscgroupuk.co.uk](mailto:sales@hscgroupuk.co.uk) • London: [sean@hscgroupuk.co.uk](mailto:sean@hscgroupuk.co.uk) 🌐 [www.hscgroupuk.co.uk](http://www.hscgroupuk.co.uk)

The Hire Supply Company Terms & Conditions Apply At All Time E&OE



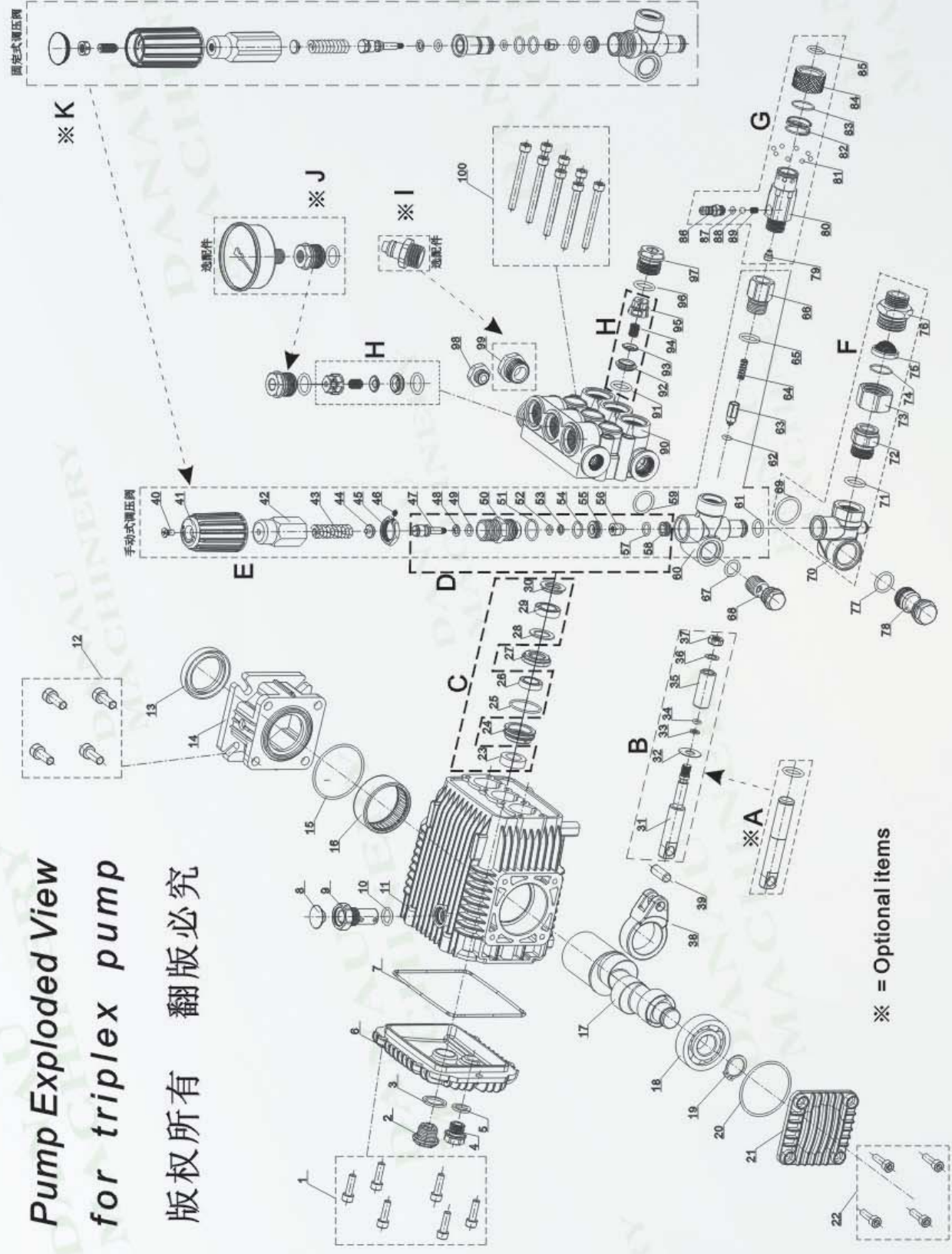
Item No	Part Number	Description	Item No	Part Number	Description
1	DAN3000A-1	Gun Holder And Hose Hook	18	MPMD5069	Lance And Gun Assembly
2	DAN3000A-2	Plain Washer	19	DAN3000A-19	Rubber Foot
3	DAN3000A-3	Fixing Nut	20	DAN3000A-20	Plain Washer
4	DAN3000A-4	Grommet For Spare Nozzles	21	DAN3000A-21	Nut
5	MPMD4721	Nozzle Tip Set Pkt 5	22	S/R	Engine Fixing Bolt
6	S/R	Decal	23	S/R	Spring Washer
7	DAN3000A-7	Filter For Chemical Hose	24	S/R	Plain Washer
8	DAN3000A-8	Chemical Hose 1mtr	25	S/R	Fixing Nut
9	DAN3000A-9	Pump Fixing Bolt	26	S/R	Spring Washer
10	S/R	Spring Washer	27	DAN3000A-27	Axle Fixing Nut
11	DAN3000A-PUMP	Pump Assembly	28	DAN3000A-28	Washer
12	DAN3000A-ENGINE	Replacement Engine	29	DAN3000A-29	Plain Washer
13	DAN3000A-13	Crankshaft Key	30	DAN3000A-30	Wheel Axle
14	DAN3000A-14	Thermal Protective Valve	31	DAN3000A-31	Clip For Wheel Axle
15	S/R	Main Frame	32	DAN3000A-32	Wheel
16	MPMD4623	10mtr High Pressure Hose	33	DAN3000A-33	Plain Washer
17	MPMD5069	Lance And Gun Assembly	34	DAN3000A-34	Fixing Nut

N/A	DAN3000A-44	Water Pump Soap Suction Nozzle
N/A	DAN3000A-45	Water Pump Suction Nozzle O Ring
N/A	DAN3000A-47	Water Pump Spring
N/A	DAN3000AWS	Water Strainer For Barrel Hose
N/A	DANPLUG	Vented Pump Plug

# Pump Exploded View

Pump Exploded View  
for triplex pump

版权所有 翻版必究



※ = Optional items

Item No	Part Number	Description	Item No	Part Number	Description
1	S/R	Screw	57	S/R	O Ring
2	S/R	Oil Gauge	58	S/R	Seat
3	S/R	Gasket, Oil Gauge	59	S/R	O Ring
4	S/R	Drain Plug	60	S/R	Outlet T Connector
5	S/R	Gasket, Drain Plug	61	S/R	O Ring
6	S/R	Crankcase Cover	62	S/R	O Ring
7	S/R	O Ring	63	DAN3000A-PV	Pump Pressure Valve
8	S/R	Cover, Oil Plug	64	S/R	Spring
9	S/R	Oil Plug	65	S/R	O Ring
10	S/R	O Ring	66	S/R	Outlet Connector
11	S/R	Crankcase	67	S/R	O Ring
12	S/R	Screw	68	S/R	Outlet Banjo Bolt
13	S/R	Oil Seal, Crankshaft	69	S/R	O Ring
14	S/R	Flange	70	S/R	Inlet T Connector
15	S/R	O Ring	71	S/R	O Ring
16	S/R	Needle Bearing	72	S/R	Inlet Connector
17	S/R	Crankshaft	73	S/R	Swivel Nut
18	S/R	Ball Bearing	74	S/R	O Ring
19	S/R	Clip	75	S/R	Water Filter
20	S/R	O Ring	76	S/R	Adaptor
21	S/R	Cover, Crankshaft	77	S/R	O Ring
22	S/R	Screw	78	S/R	Inlet Banjo Bolt
23	S/R	Oil Seal, Plunger	79	S/R	Water Injection Tube
24	S/R	Locating Ring	80	S/R	QD Body
25	S/R	O Ring	81	S/R	Ball
26	S/R	Low Pressure Seal	82	S/R	Spring
27	S/R	Compaction Ring	83	S/R	Clip
28	S/R	Compaction Flake	84	S/R	Collar
29	S/R	High Pressure Seal	85	S/R	O Ring
30	S/R	Supporting Ring	86	S/R	Soap Suction Nozzle
31	S/R	Plunger Guide	87	S/R	O Ring
32	S/R	Checking Ring	88	S/R	Ball
33	S/R	Backup Ring	89	S/R	Spring
34	S/R	O Ring	90	S/R	Manifold Head
35	S/R	Ceramic Pipe	91	S/R	O Ring
36	S/R	Plain Washer	92	S/R	Seat
37	S/R	Fix Nut	93	S/R	Valve Plate
38	S/R	Connecting Rod	94	S/R	Spring
39	S/R	Fix Pin	95	S/R	Valve Cage
40	S/R	Screw	96	S/R	O Ring
41	S/R	Plastic Cap, Knob	97	S/R	Valve Plug
42	S/R	Knob	98	S/R	Outlet Plug
43	S/R	Spring	99	S/R	Inlet Plug
44	S/R	Spring Seat	100	S/R	Bolt
45	S/R	Jam Nut	A	DAN3000A-A	Ceramic plunger Assembly Type A
46	S/R	Fix Screw	B	S/R	Plunger /assembly
47	S/R	Valve Rod	C	S/R	Plunger Sealing Set
48	S/R	Backup Ring	D	DAN3000A-D	Unloader Valve Assembly Type D
49	S/R	O Ring	E	DAN3000A-E	Pressure Regulator / Unloader
50	S/R	Valve Body	F	DAN3000A-F	Water Inlet Assembly Type F
51	S/R	O Ring	G	DAN3000A-G	QD & Chemical Injector One Piece Joint Type G
52	S/R	O Ring	H	DAN3000A-H	Checking Valve Assembly Type H
53	S/R	Backup Ring	I	S/R	Thermal Relief Valve
54	S/R	O Ring	J	S/R	Pressure Gauge With Adaptor
55	S/R	Seat, Valve Body	K	S/R	Pressure Regulator, Pressure Fixed
56	S/R	Bullet	N/A	DAN3000A-PUMP	Replacement Pump



## Recycling



**ENVIRONMENTAL PROTECTION:** Please recycle any unwanted materials as opposed to disposing them as general waste. It is recommended the original is retained and used to store the product when not in use for prolonged periods of time. If this is not applicable ensure the materials are sorted and recycled in accordance with local regulations.



**SPECIFICATION CHANGE:** It is our policy to continually improve products to ensure these meet the rigours of the industry we serve. Therefore, as such we reserve the right to alter specifications, data, components & parts with-out prior notice.

**WARRANTY:** Please refer to the manufactures terms & conditions.

**IMPORTANT:** No liability will be accepted for the incorrect use of this product.

### KEEP THIS BOOKLET FOR FUTURE REFERENCE

📞 Nottingham: 0115 946 1988 • London: 0208 830 3333    ✉ Nottingham: [sales@hscgroupuk.co.uk](mailto:sales@hscgroupuk.co.uk) • London: [sean@hscgroupuk.co.uk](mailto:sean@hscgroupuk.co.uk)    🌐 [www.hscgroupuk.co.uk](http://www.hscgroupuk.co.uk)

The Hire Supply Company Terms & Conditions Apply At All Time E&OE