



Machinery | Spares | Consumables
(Specialist suppliers to Tool Hire & Garden Machinery Dealers)

LFE168F Parts List



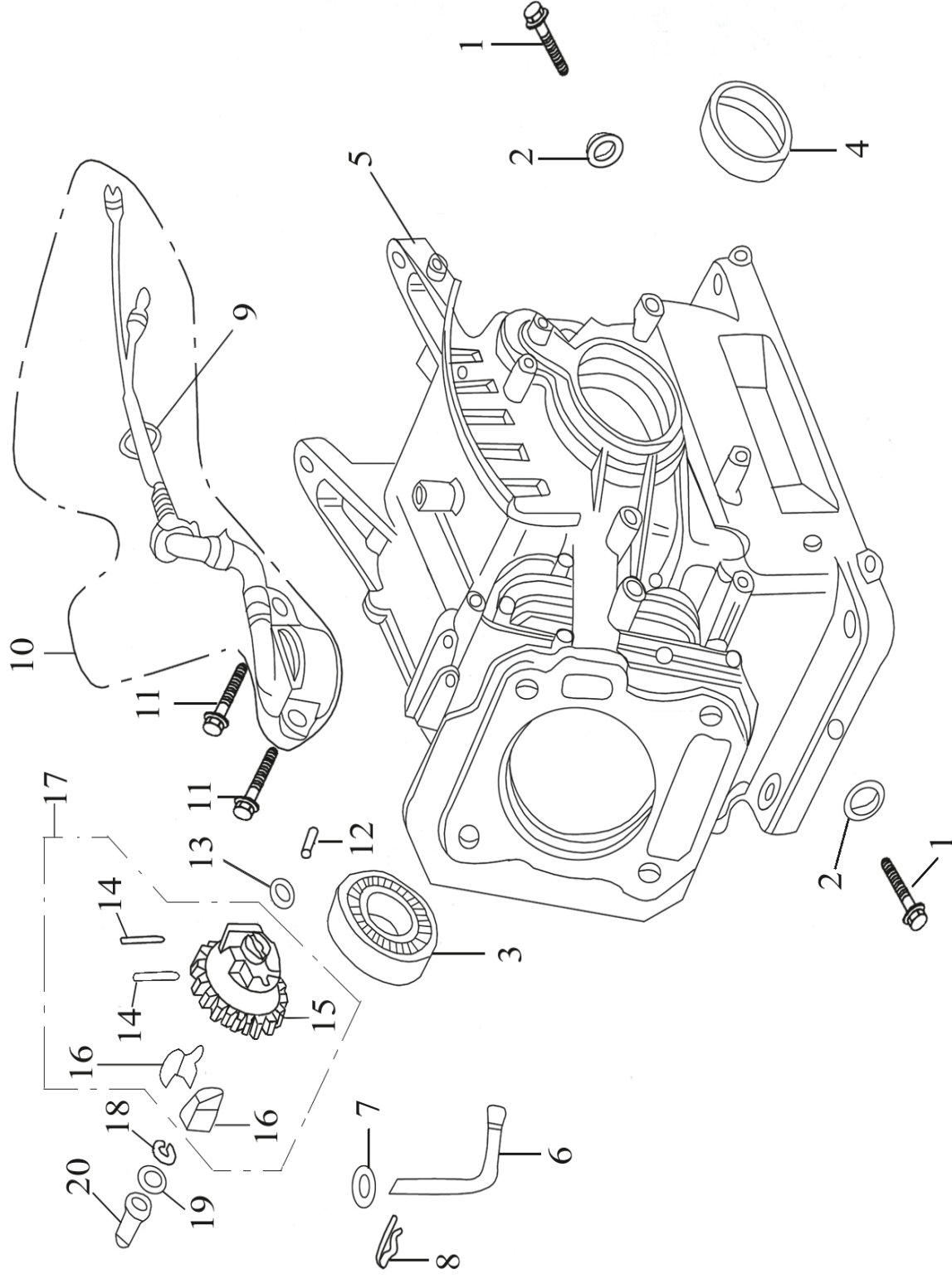


LFE168F PARTS LIST CONTENTS

Click to go
to page

ENGINE PART	PAGE NO.
Crankcase Assembly	3
Crankcase Cover Assembly	5
Cylinder Head & Cover Assembly	6
Crankshaft, Piston & Conrod	7
Camshaft & Valve Rocker	8
Carburettor Assembly	9
Fuel Tank Assembly	11
Air Filter Assembly	12
Exhaust	13
Recoil Starter	14
Governing Control System	16
Flywheel	17
Ignition Coil	18

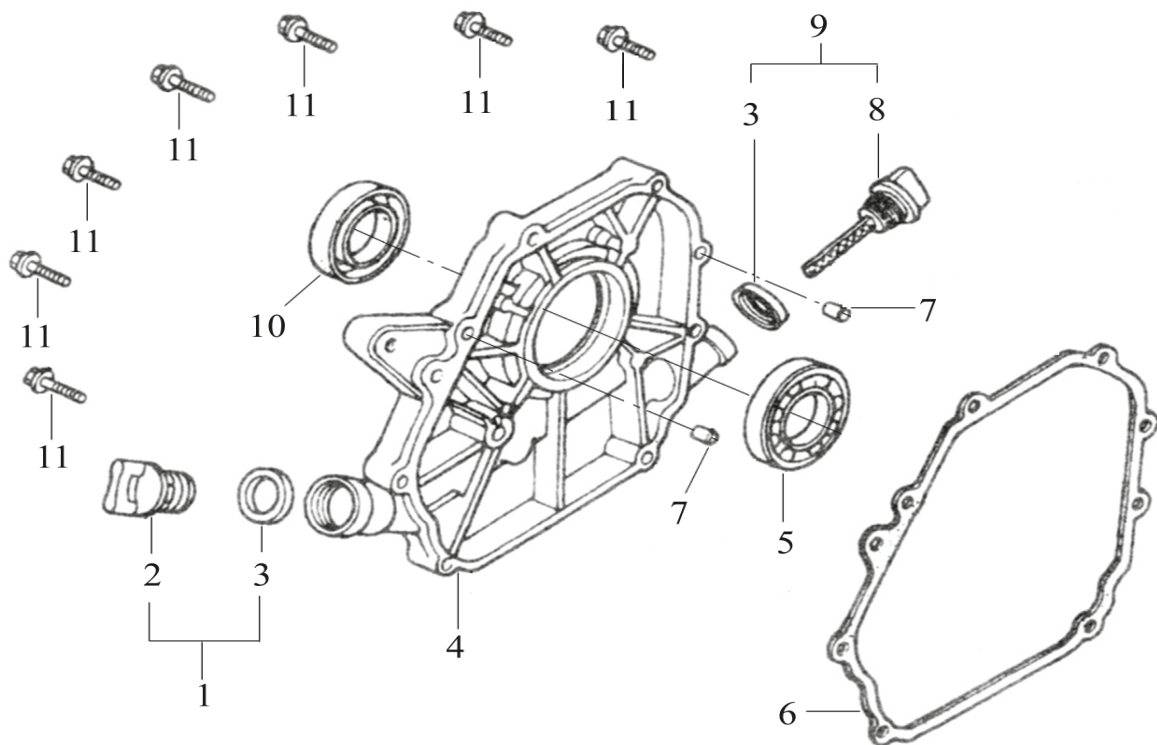
CRANKCASE ASSEMBLY



CRANKCASE ASSEMBLY

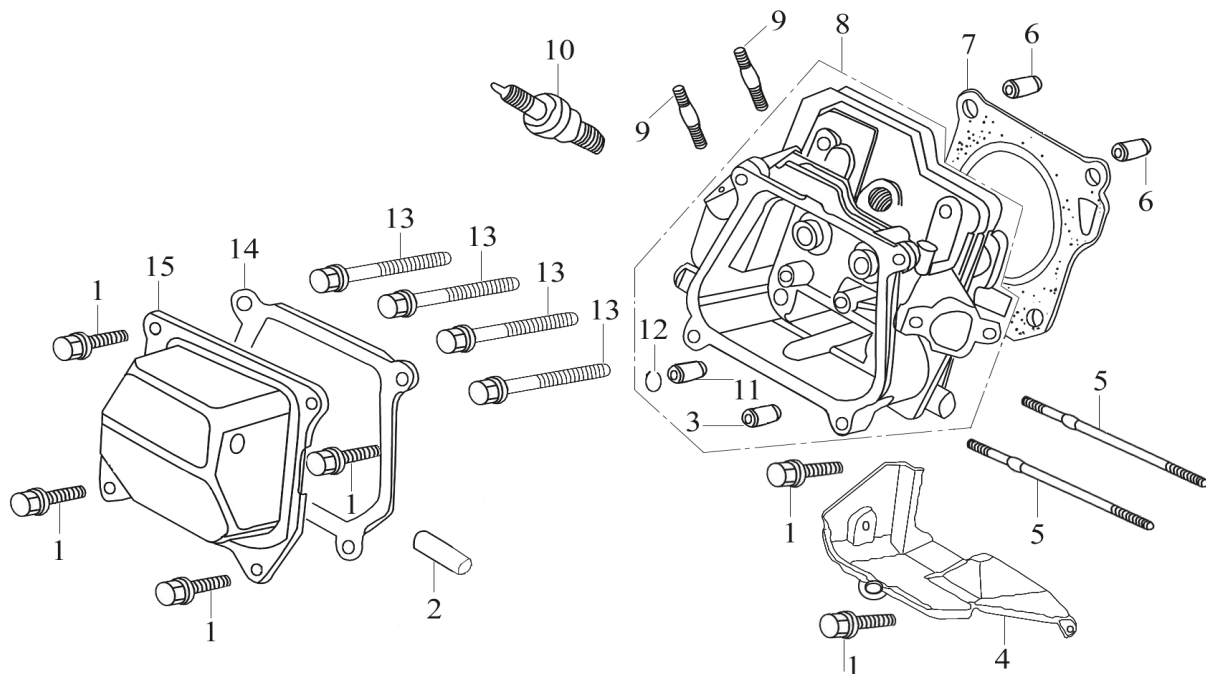
Item No.	Part No.	Description
1	LFE11212	Drain plug
2	LFE11213	Washer
3	LFEGB276-89	Bearing 6205
4	LFE13180	Oil seal, crankshaft
5	LFE11100	Crankcase
6	LFE26311	Regulating sway bar
7	LFE26329	Washer
8	LFE26321	Split pin
9	LFEGB6177-86	Nut M10
10	LFE37810	Oil sensor
11	LFEGB5787-86	Bolt M6×14
12	LFE25151	Regulating shaft
13	LFE25165	Washer, driven gear
14	LFE25163	Pin
15	LFE25121	Driven gear, regulator
16	LFE25141	Flying block
17	LFE25120	Driven gear assy, regulator
18	LFE25164	Snap ring
19	LFE25132	Washer
20	LFE25131	Sliding sleeve

CRANKCASE COVER ASSEMBLY



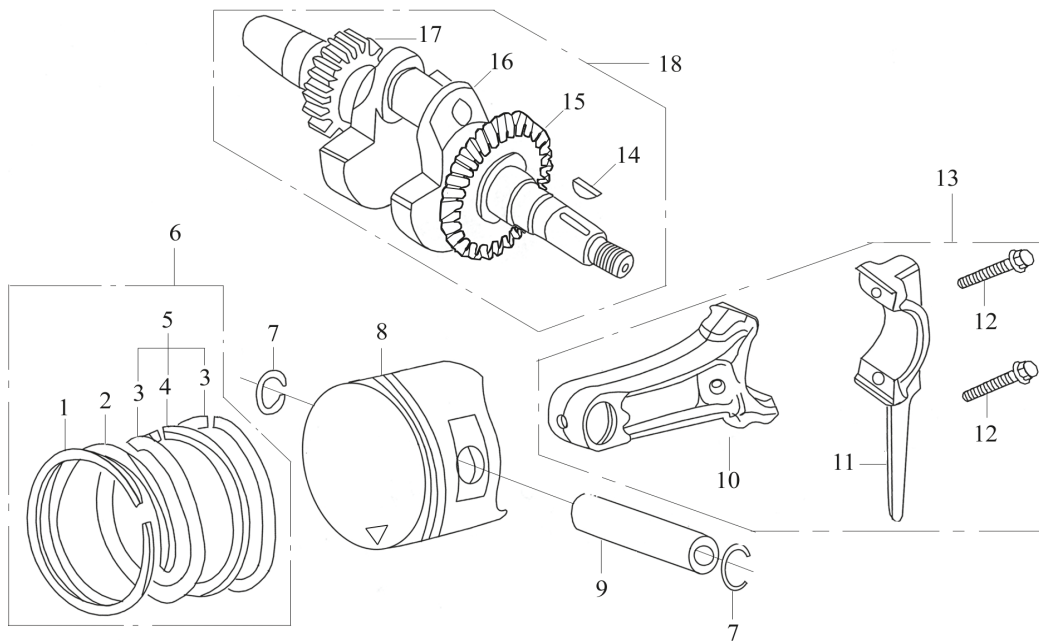
Item No.	Part No.	Description
1	LFE15650	Oil plug with Seal
2	LFE15651	Oil plug
3	LFE15612	Seal
4	LFE11311	Crankcase cover
5	LFEGB276-89	Bearing 6205
6	LFE11119	Gasket, crankcase
7	LFE11118	Set pin
8	LFE15611	Dipstick
9	LFE15610	Dipstick with seal
10	LFE13180	Oil seal, crankshaft
11	LFEGB5787-86	Bolt M8×32

CYLINDER HEAD & COVER ASSEMBLY



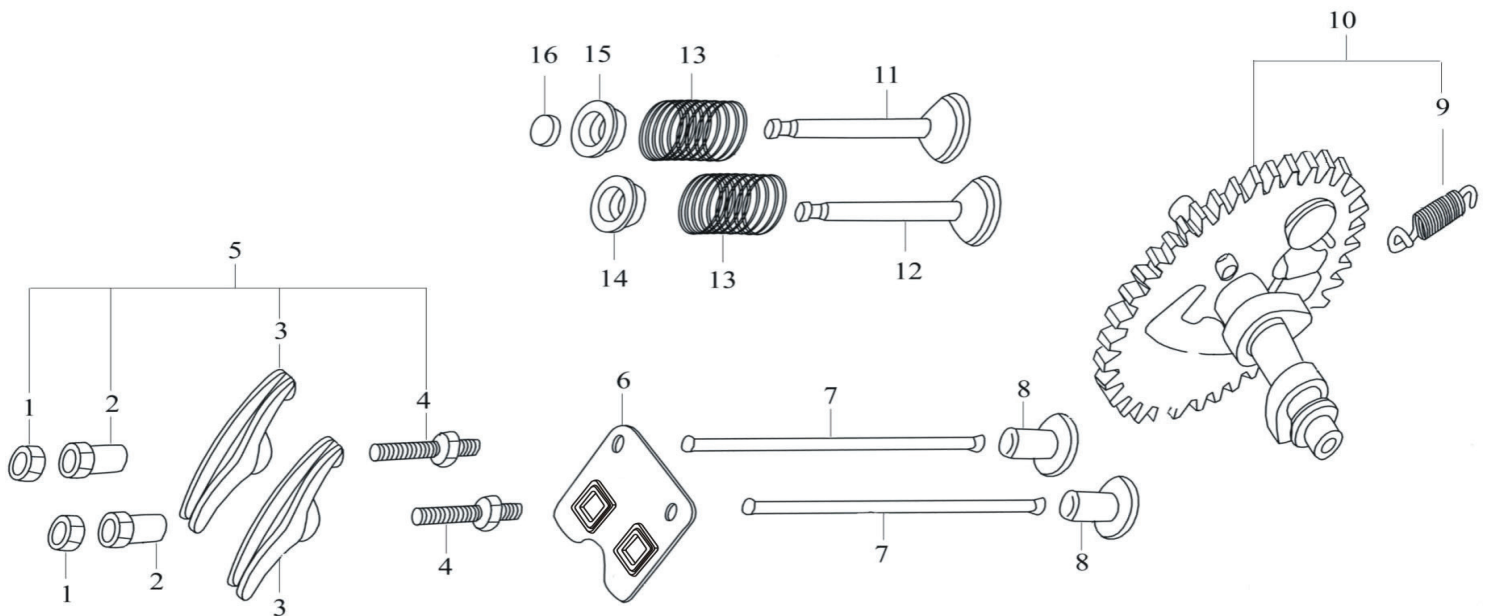
Item No.	Part No.	Description
1	LFEGB5787-86	Bolt M6×12
2	LFE20651	Air duck
3	LFE12214	Intake valve guide
4	LFE19721	Lead wind cover
5	LFE12252	Stud M6×109
6	LFE12218	Set pinφ10×16
7	LFE12220	Gasket, cylinder head
8	LFE12210	Cylinder head Assy
9	LFE12253	Stud M8×34
10	LFE34200	Spark plug F6TC
11	LFE12215	Exhaust valve guide
12	LFE12219	Circip
13	LFE12256	Bolt
14	LFE12312	Gasket, cylinder head cover
15	LFE12310	Cylinder head cover Assy

CRANKSHAFT, PISTON & CONROD



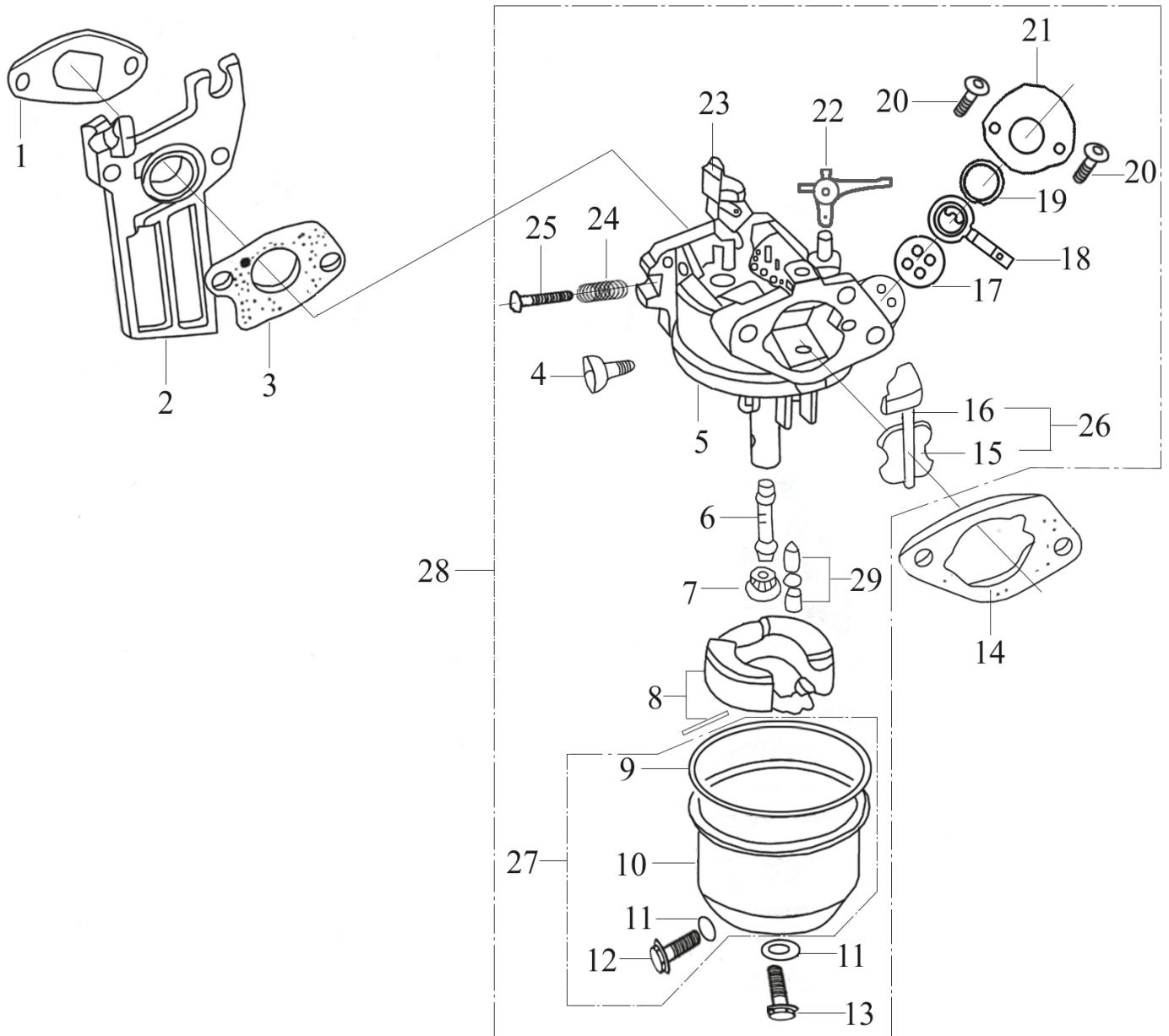
Item No.	Part No.	Description
1	LFE30522	Piston ring (I)
2	LFE30065	Piston ring (II)
3		Side rail
4		Expander
5	LFE63532	Scraper ring set
6	LFE68284	Piston ring assy
7	LFE68114	Piston pin circlip
8	LFE68112	Piston
9	LFE68113	Piston pin
10		Shank
11		Connecting rod cover
12	LFE68840	Bolt
13	LFE68116	Connecting rod assy
14	LFE68000	Woodruff key
15	LFE63651	Drive gear
16		Crankshaft
17	LFE68573	Timing driving gear
18	LFE68123	Crankshaft assy

CAMSHAFT & VALVE ROCKER



Item No.	Part No.	Description
1	LFE14416	Lock nut
2	LFE14413	Sleeve
3	LFE14411	Valve rocker
4	LFE14415	Adjusting bolt for valve gap
5	LFE14410	Valve rocker assy
6	LFE14260	Pusher guide
7	LFE14250	Pusher
8	LFE14455	Tappet
9	LFE14146	Extension spring
10	LFE14100	Camshaft Assy
11	LFE14721	Exhaust valve
12	LFE14711	Intake valve
13	LFE14755	Valve spring
14	LFE14751	Spring seat, intake valve
15	LFE14757	Spring seat, exhaust valve
16	LFE14758	Cap

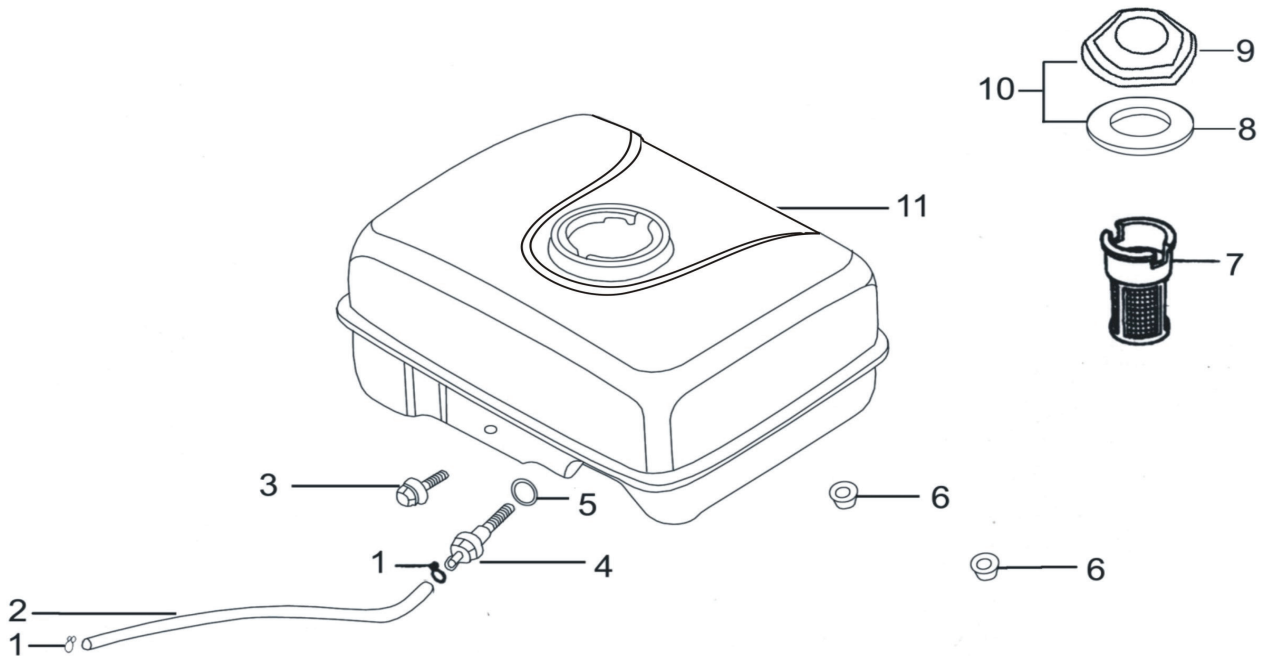
CARBURETTOR ASSEMBLY



CARBURETTOR ASSEMBLY

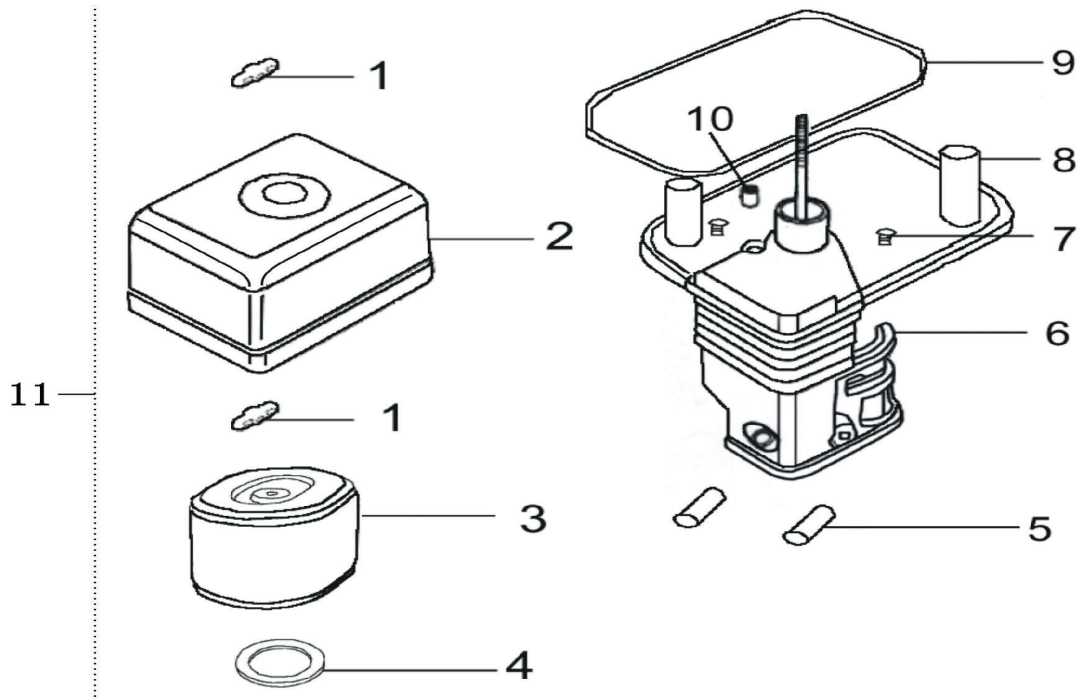
Item No.	Part No.	Description
1	LFE12254	Inlet gasket
2	LFE16141	Connecting block
3	LFE16142	Carburetor gasket
4	LFE16421	Idle adjustment screw
5	LFE16250	Mixture chamber body
6	LFE16251	Main nozzle
7	LFE16254	Main jet
8	LFE16230	Float
9	LFE16219	Float chamber gasket
10	LFE16211	Float chamber
11	LFE16216	Washer
12	LFE16215	Float chamber drain Screw
13	LFE16213	Screw
14	LFE17330	Air cleaner gasket
15	LFE16331	Choke
16	LFE16332	Choke stem
17	LFE16312	Airproof washer
18	LFE16311	Throttle lever
19	LFE16313	Washer
20	LFEGB5787-86	Screw M4
21	LFE16314	Cover
22	LFE16148	Choke switch
23	LFE16280	Throttle unit
24	LFE16422	Spring, mixture adjustment screw
25	LFE16425	Mixture adjustment screw
26	LFE16330	Choke unit
27	LFE16210	Float chamber
28	LFE16100	Carburetor Assy
29	LFE16240	Float needle

FUEL TANK ASSEMBLY



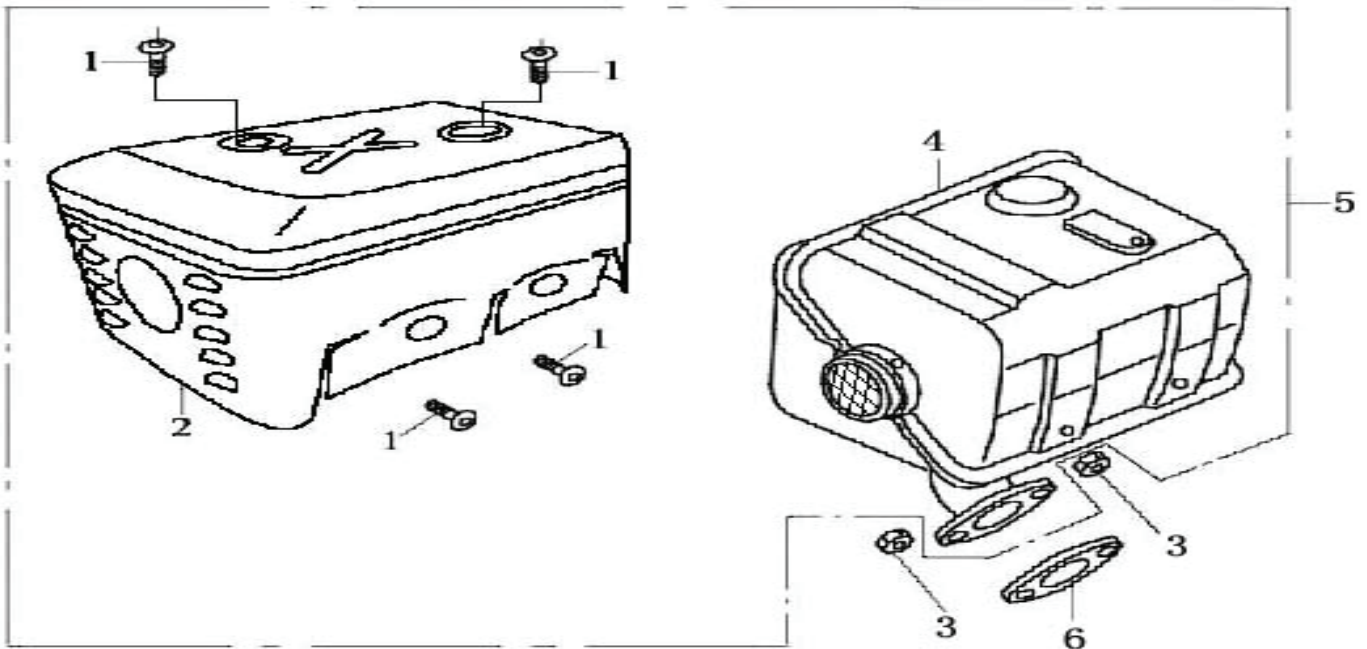
Item No.	Part No.	Description
1	LFE16937	Pipe clamp
2	LFE16931	Outlet pipe
3	LFEGB5787-86	Bolt M6×22
4	LFE16950	Connector
5	LFE16961	Packing ring
6	LFEGB6177-86	Nut M6
7	LFE16916	Filter cup
8	LFE16521	Packing ring
9	LFE16510	Fuel filler cap
10	LFE16500	Fuel filler cap with packing ring
11	LFE16610	Fuel tank

AIR FILTER ASSEMBLY



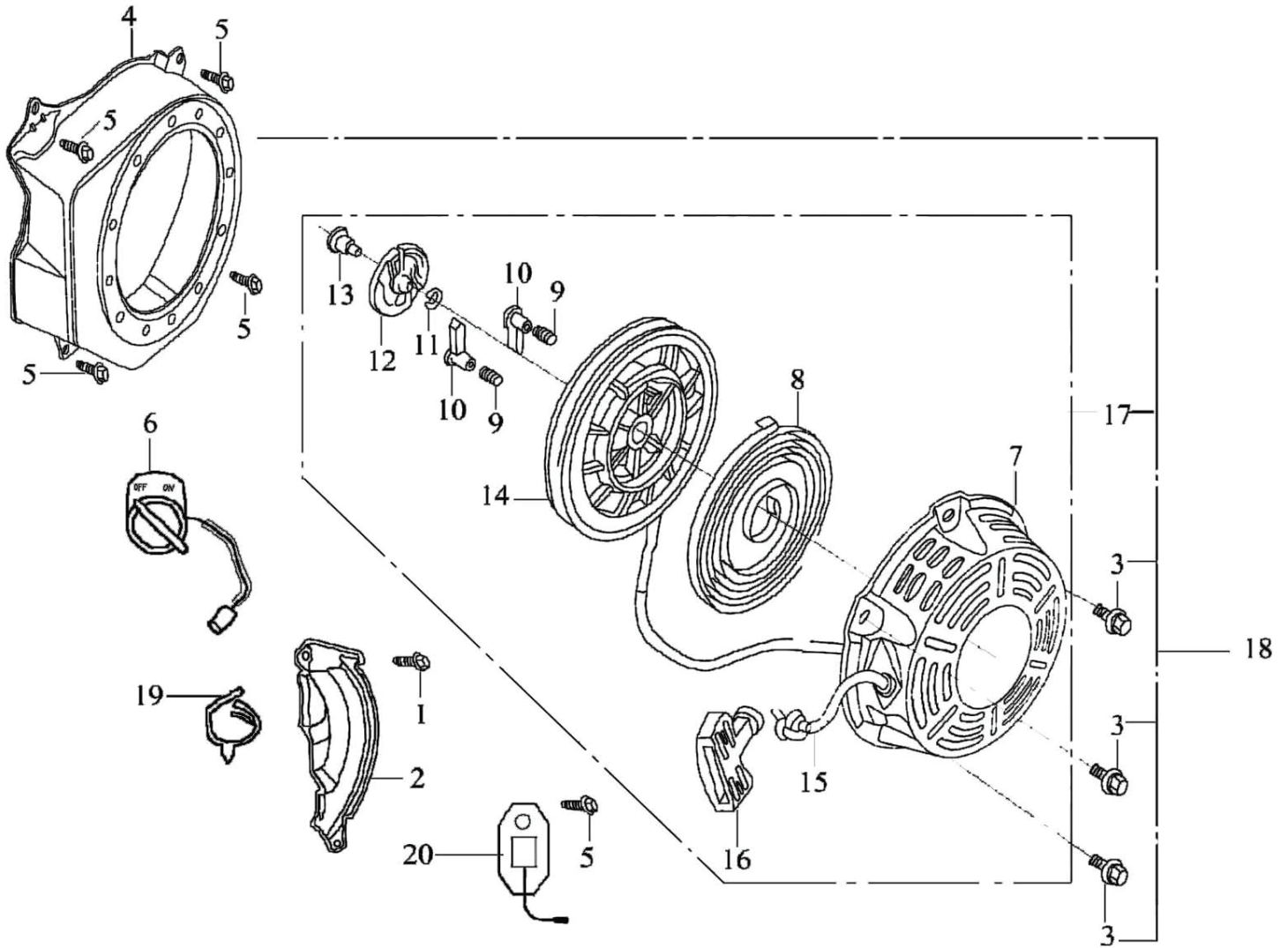
Item No.	Part No.	Description
1	LFEGB62-88	Wing nut
2	LFE17111	Air cleaner cover
3	LFE17130	Filter element
4	LFE17125	Washer
5	LFE17126	Sleeve A
6	LFE17131	Air cleaner housing
7	LFEGB3115-82	Screw M5x12
8	LFE17141	Air cleaner base
9	LFE17145	Gasket
10	LFE17146	Sleeve B
11	LFE17100	Air cleaner assy

EXHAUST



Item No.	Part No.	Description
1	LFEGB5787-86	Screw M5×8
2	LFE18600	Muffler hood
3	LFEGB6170-86	Nut M8
4	LFE18300	Muffler
5	LFE18000	Exhaust muffler
6	LFE12255	Exhaust gasket

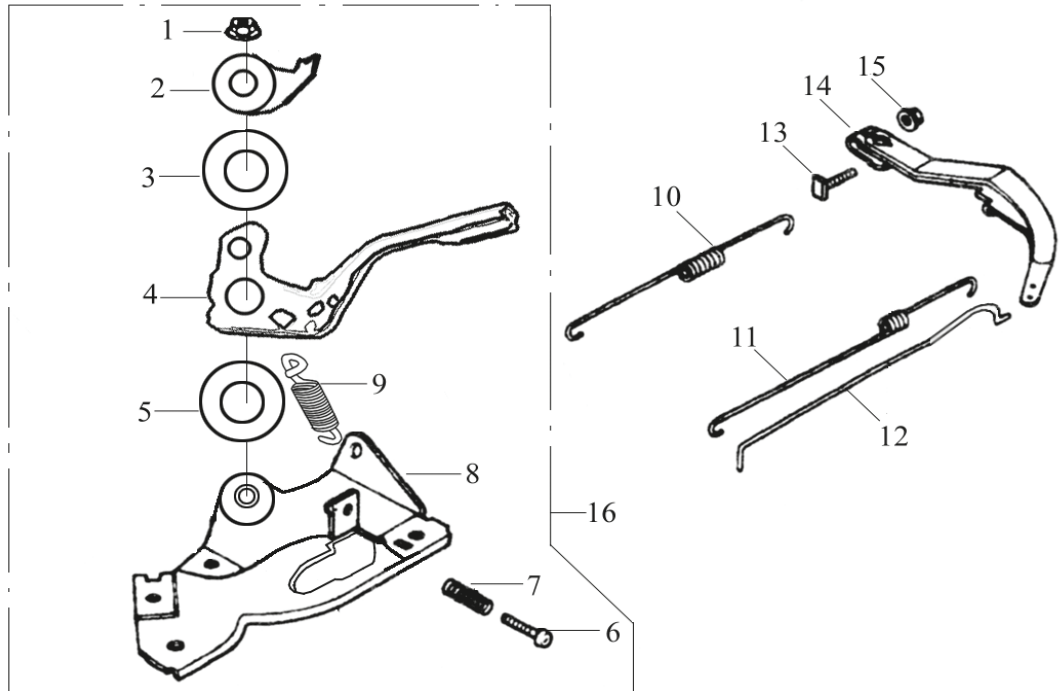
RECOIL STARTER



RECOIL STARTER

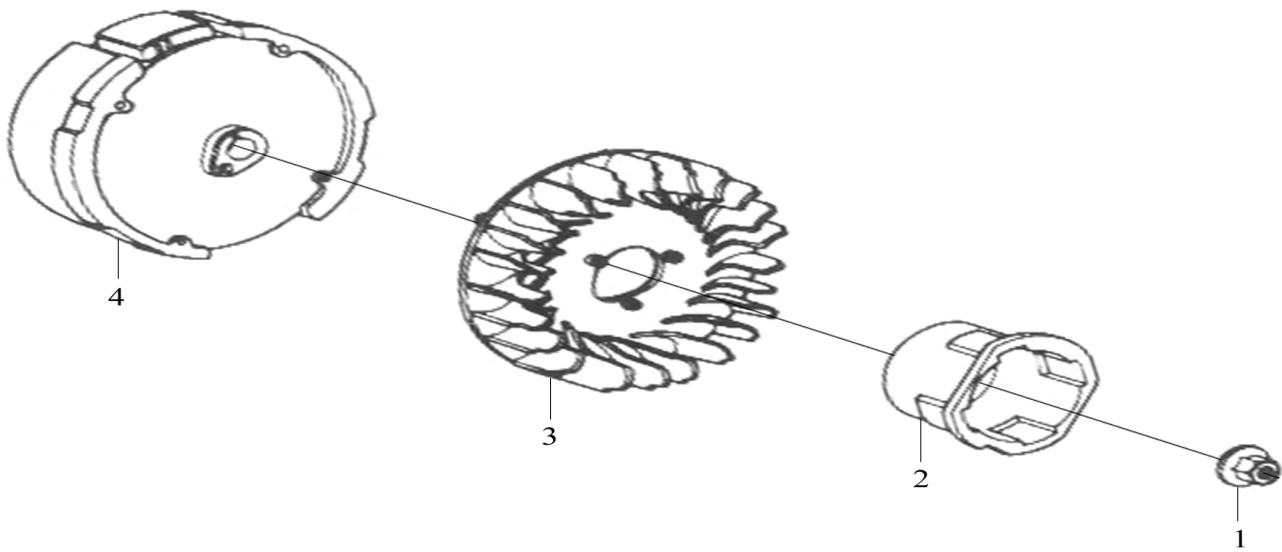
Item No.	Part No.	Description
1	LFEGB5787-86	Bolt M6×22
2	LFE19810	Crankcase side plate assy
3	LFEGB5787-86	Bolt M6×8
4	LFE19710	Fan hood assy
5	LFEGB5787-86	Bolt M6×12
6	LFE35410	Engine switch
7	LFE27380	Casing
8	LFE27319	Spiral spring
9	LFE27312	Ratchet spring
10	LFE27331	Ratchet
11	LFE27311	Friction spring
12	LFE27341	Spring lid
13	LFE27315	Set screw
14	LFE27351	Starter rolls
15	LFE27313	Rope
16	LFE27361	Pulling handle
17	LFE27300	Recoil starter
18	LFE27100	Recoil starter assy
19	LFE32211	Plastic clip
20	LFE37850	Diode

GOVERNING CONTROL SYSTEM



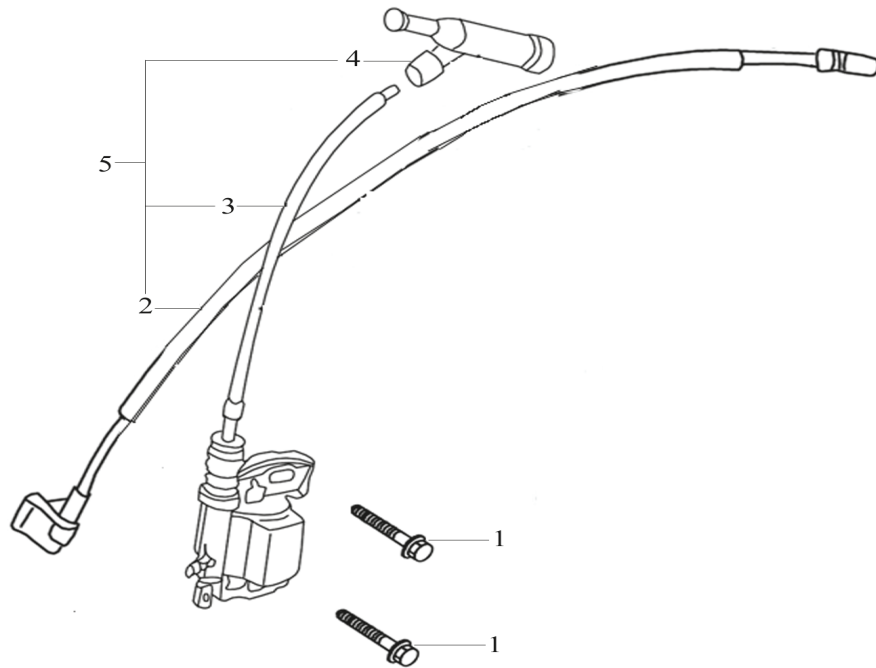
Item No.	Part No.	Description
1	LFEGB6173-86	Nut M6
2	LFE26414	Setting panel
3	LFE26418	Spring patch
4	LFE26430	Handgrip assy
5	LFE26419	Washer
6	LFEGB818-85-H	Bolt M5×25
7	LFE26415	Regulating spring
8	LFE26420	Support panel assy
9	LFE26416	Spring
10	LFE26363	Back spring
11	LFE26364	Fine regutaling spring
12	LFE26341	Pulling rod
13	LFE26362	Lock bolt
14	LFE26331	Regulating arm
15	LFEGB6177-86	Nut M6
16	LFE26410	Regulating frame assy

FLYWHEEL



Item No.	Part No.	Description
1	LFE27515	Nut M14×1.5
2	LFE27370	Starting flange
3	LFE19722	Flywheel fan
4	LFE27500	Flywheel

IGNITION COIL



Item No.	Part No.	Description
1	LFEGB5787-86	Screw M6×25
2	LFE34410	Engine stop cable
3	LFE34510	Ignition coil
4	LFE34310	Spark plug cap
5	LFE34500	Ignition coil assy