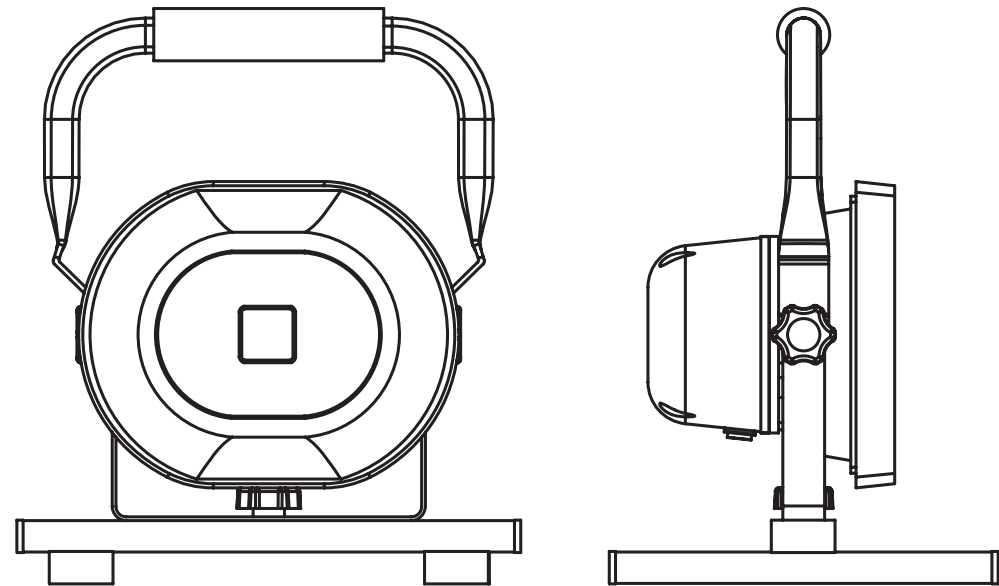




LED OVAL HEAD RECHARGEABLE WORK LIGHT



The Hire Supply Company UK Limited,
Sheet Stores Industrial Estate,
Long Eaton, Nottingham, NG10 1AU, England
Tel: 0845 309 0707
www.hscuk.co.uk



Before using this LED work light please read this manual and instructions for use carefully, if you do not understand any of the instructions please do not use this light and return it to your supplier. Please keep this manual for your reference.

Main Construction.

The body of the lamp is made of high - pure Aluminium Alloy, with electrostatic coating and thermostatic hardening, long life LED and lithium ion battery. A mounting bracket connects the light to the floor standing frame.

Contents(different for 10watt 20watt)

10watt - Led Light Head, Floor standing frame complete with Magnetic inlays, In car charger and 240volt UK mains charger.

20watt - Led Light Head, Floor standing frame, In car charger and 240volts UK mains charger.

Applications of Use

Construction industry, illumination for tunnels, building, road, bridge work, close confinement work, basements, attics and any dark spaces requiring portable lighting. Outdoor activities, accident surveys, emergency services, ports, camping and security work.

Part NO	In put voltage	Frequency Range	Power	Running time	Charging time	Li-ion Battery AH & V	Lumens	Charger V & A	Protection Grade
LED10WRO	100-240V	50/60HZ	5W/10W	4-6Hours	5-6Hours	3.3AH 7.4V	800LM	8.4V 1.2A	IP44
LED20WRO	100-240V	50/60HZ	10W/20W	3-6Hours	5-6Hours	6.6AH 7.4V	1600LM	8.4V 2A	IP44

Instructions for use

- 1) Ensure that the light is in good condition with no visible damage to the light head, glass front, frame or chargers. If you think that any of these items are damaged please contact your supplier.
- 2) Attach the 240volt mains charger and plug in to the mains for 5-6 hours, under charging and overcharging on the initial charge could lead to battery deficiency. Ensure the light is switched to the 0 position whilst charging as you may damage the battery if charging whilst switched on. The light will not work when recharging.

- 3) The three way switch operates by simply pressing down on one side to your required light output. Press the switch to I and the light will operate on full power, press the switch to II and the light output will run at 50%. Press the switch to the 0 position and light will turn off.
- 4) Remember to charge your Elite LED light periodically when not being used to maintain a healthy battery.

Safety warnings

- 1) Do not look directly at LED light for any length of time.
- 2) Do not shine the LED light directly in to anyone eyes.
- 3) Do not submerge the LED light in water.
- 4) Only use the charger supplied with this light failure to do so will damage the battery and invalidate your warranty.
- 5) When recharging you must use the chargers supplied do not attempt to charge by any other means.
- 6) Do not attempt any electrical repair on this LED light yourself, please return it to your supplier. If you feel competent to replace the glass lens please do so, replacement lenses are available from your supplier.
- 7) Do not attempt to use the battery for any other purpose.
- 8) The light may start to flash repeatedly when the battery is low, should this happen please place your light on charge as soon as possible.
- 9) This LED light is NOT for use in explosive atmospheres.

If the glass lens is broken, please immediately stop using the light and contact your supplier for a new lens.

Part NO	LED10WRO	LED20WRO
size	118*92*3.7mm	155*128*3.7mm