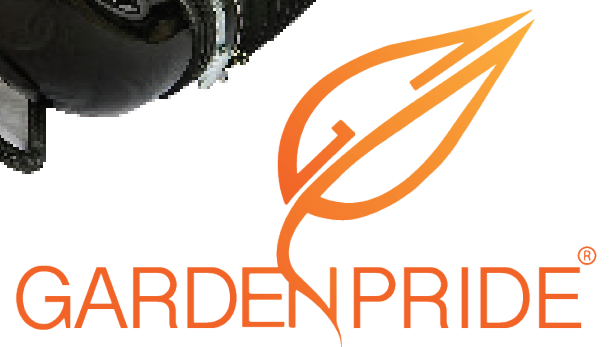
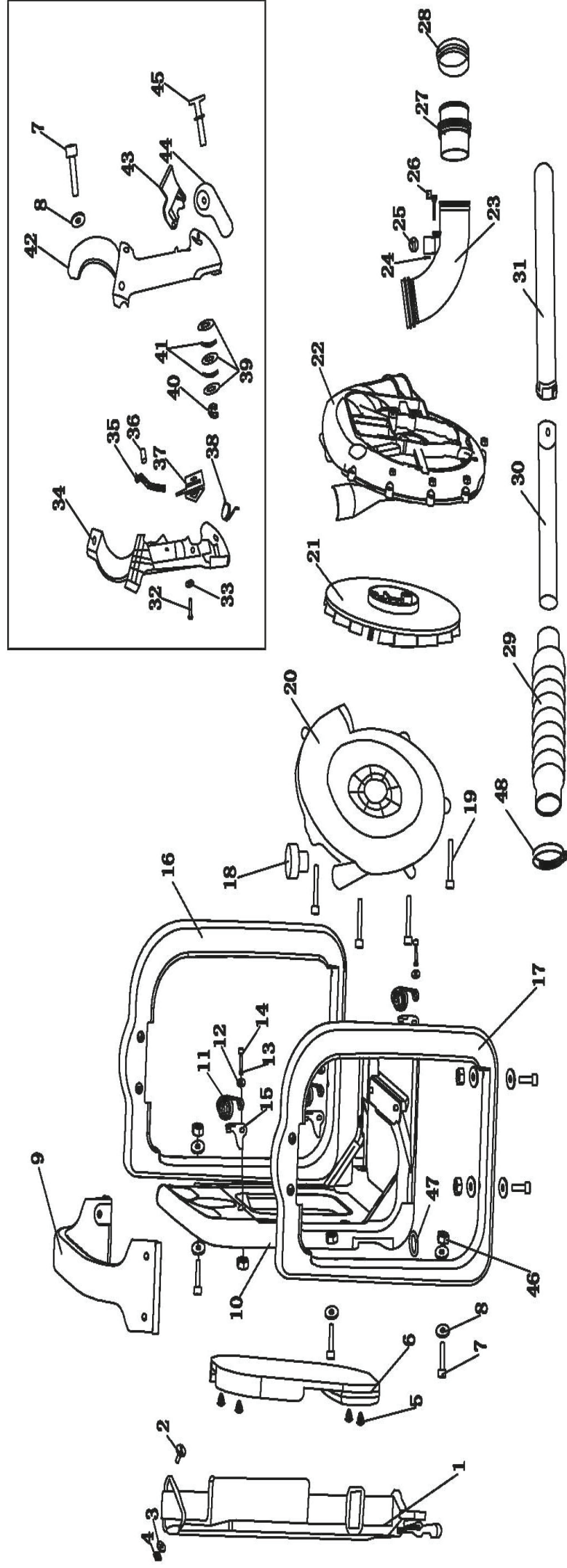




Machinery | Spares | Consumables
(Specialist suppliers to Tool Hire & Garden Machinery Dealers)

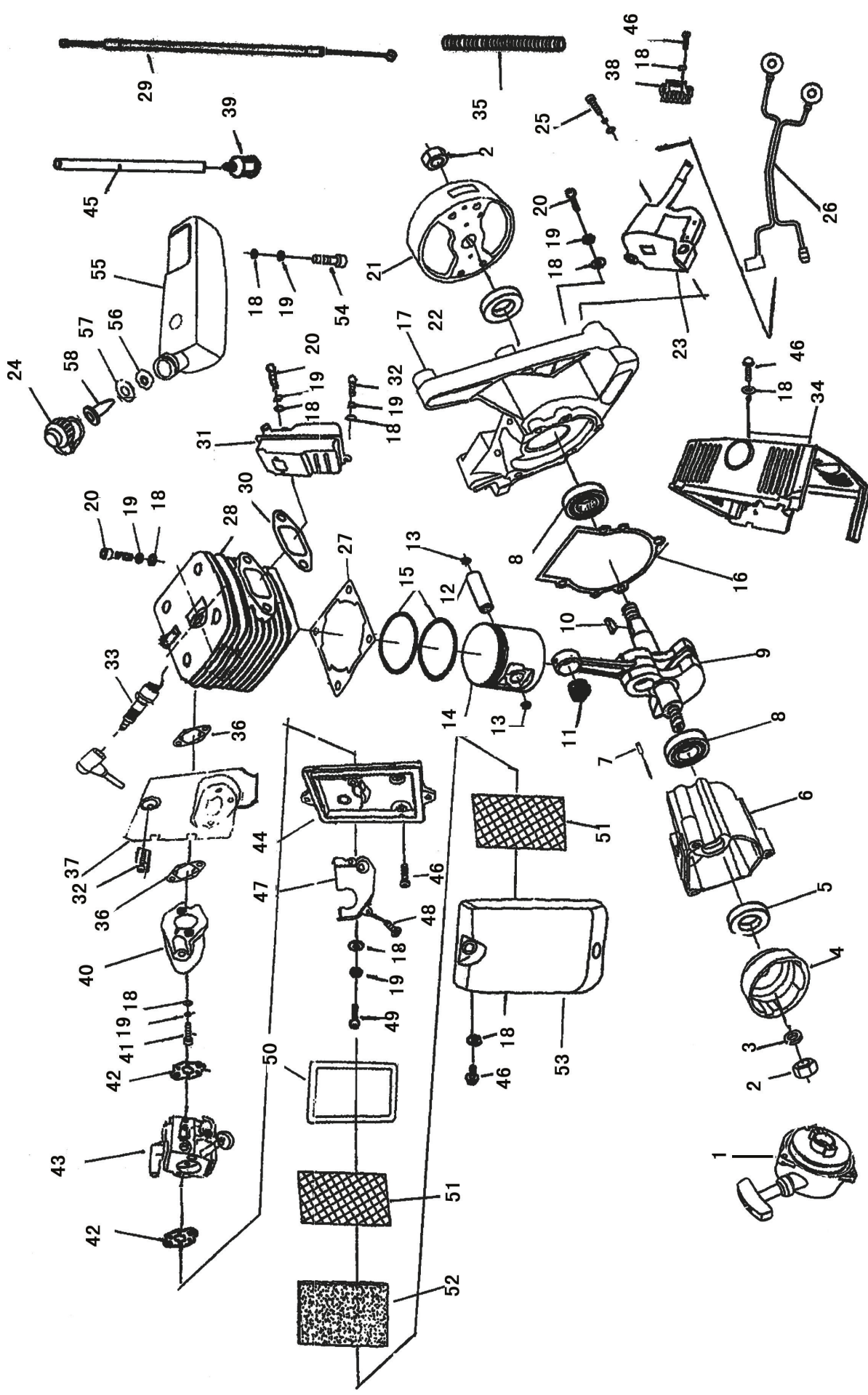
GP56BPB Parts List





Item No.	Part No.	Description
1	GP02050060026	Belt Ass'y
2	GP03010110011	Screw M6x12
3	GP03040010011	Washer6
4	GP03030070011	Nut M6
5	GP02110030174	Plastic Clip
6	GP02050060039	Back Mat
7	GP03010010021	Screw M5x20
8	GP03040020019	Washer5
9	GP70030160083	Handle
10	GP70050020008	Frame
11	GP02020110047	Anti-Vibrate Spring
12	GP03040010009	Washer5
13	GP03050010014	Washer5
14	GP03010010010	Screw M5x25
15	GP02020160051	Spring Support
16	GP70050020010	Right Frame
17	GP70050020009	Left Frame
18	GP02080030004	Pan Case Plug
19	GP03010040056	Nst5*20
20	GP70030010029	Volute Case
21	GP70030090004	Impeller
22	GP70030010034	Volute Case
23	GP70050010048	Fan Joint
24	GP03060020010	Pin 1X8

Item No.	Part No.	Description
25	GP70030030048	Stopper
26	GP70030180023	Stopper Axis
27	GP70030180310	Connector
28	GP02080020026	Rubber Plug
29	GP70050010044	Hose
30	GP70050010042	Pipe
31	GP70050010023	Long Joint Tube
32	GP02050150039	Screw M3x16
33	GP70080010026	Washer3
34	GP70030070260	Right Control Case
35	GP02050050065	Contact
36	GP70030180154	Axis Sleepe
37	GP02600010074	Switch
38	GP02020110018	Return Spring
39	GP03040010011	Washer6
40	GP03120030003	Axis Clip
41	GP03040050001	Sadlew Washer 6
42	GP70030070215	Left Control Case
43	GP70030070125	Handle□1□
44	GP70030070149	Handle□2□
45	GP02020160350	Haddle Axis
46	GP03030010012	Nut M5
47	GP03010040058	Nst5*24
48	GP02020040025	Clamp



Item No.	Part No.	Description
1	GP02050070044	Starter
2	GP03030070018	Nut M8
3	GP02060040031	Washer8
4	GP70070080019	Ratchet
5	GP03100010016	Oil Seal
6	GP70070050029	Rear Halfcrank Case
7	GP03060010004	Pin B4x10
8	GP03090010016	Ball Bearing
9	GP02020120048	Crank Shaft Comp
10	GP03070010002	Key
11	GP03090020026	Needle Bearing
12	GP02020010007	Piston Pini
13	GP02020030014	Piston Pin Circllet
14	GP02010020021	Piston
15	GP02020020015	Piston Ring
16	GP02070010116	Crank Case Gasket
17	GP70070050028	Frant Halfcrank Case
18	GP50030360001	Washer5
19	GP02600010078	Washer5
20	GP03010010010	Screw
21	GP02050030093	Magneto Stator
22	GP03100010017	Oil Seal
23	GP02050030092	Nagneto Stator
24	GP70030060033	Fuel Tank Lid

Item No.	Part No.	Description
25	GP03020020012	Screw
26	GP02050050153	Tveltank Innerlid
27	GP02070010040	Cylinder Washer
28	GP02010050022	Cylinder
29	GP02050040015	Cable Comp
30	GP02070010151	Casket
31	GP02050010049	Mvffler Comp
32	GP03010010016	Screw
33	GP03130010010	Spark Plog Bpmr7a
34	GP70030030049	Cover
35	GP01040030002	Pipe
36	GP02070010087	Cylinder Washer
37	GP02020160067	Board
38	GP02020040008	Line Clip
39	GP02050120002	Cleaner
40	GP02110030033	Inlet Manifold
41	GP03010010045	Screw
42	GP02070010058	Gasket
43	GP02050020044	Carbvretor
44	GP70070060011	Linker
45	GP01040010014	Ovtlet Foel Pipe
46	GP03010010021	Screw M5*20
47	GP02020160074	Block
48	GP03010060072	Screw

Item No.	Part No.	Description
49	GP70080010024	Screw M5*50
50	GP02080020075	Rubber Seal
51	GP02090010010	Core
52	GP02020160264	Board
53	GP70030040085	Cover
54	GP03010010016	Screw M5*16
55	GP70050030036	Fule Tank
56	GP02080050042	Rubber Lid
57	GP02110020023	Plastic Lid
58	GP02080040006	Inlet Valve