

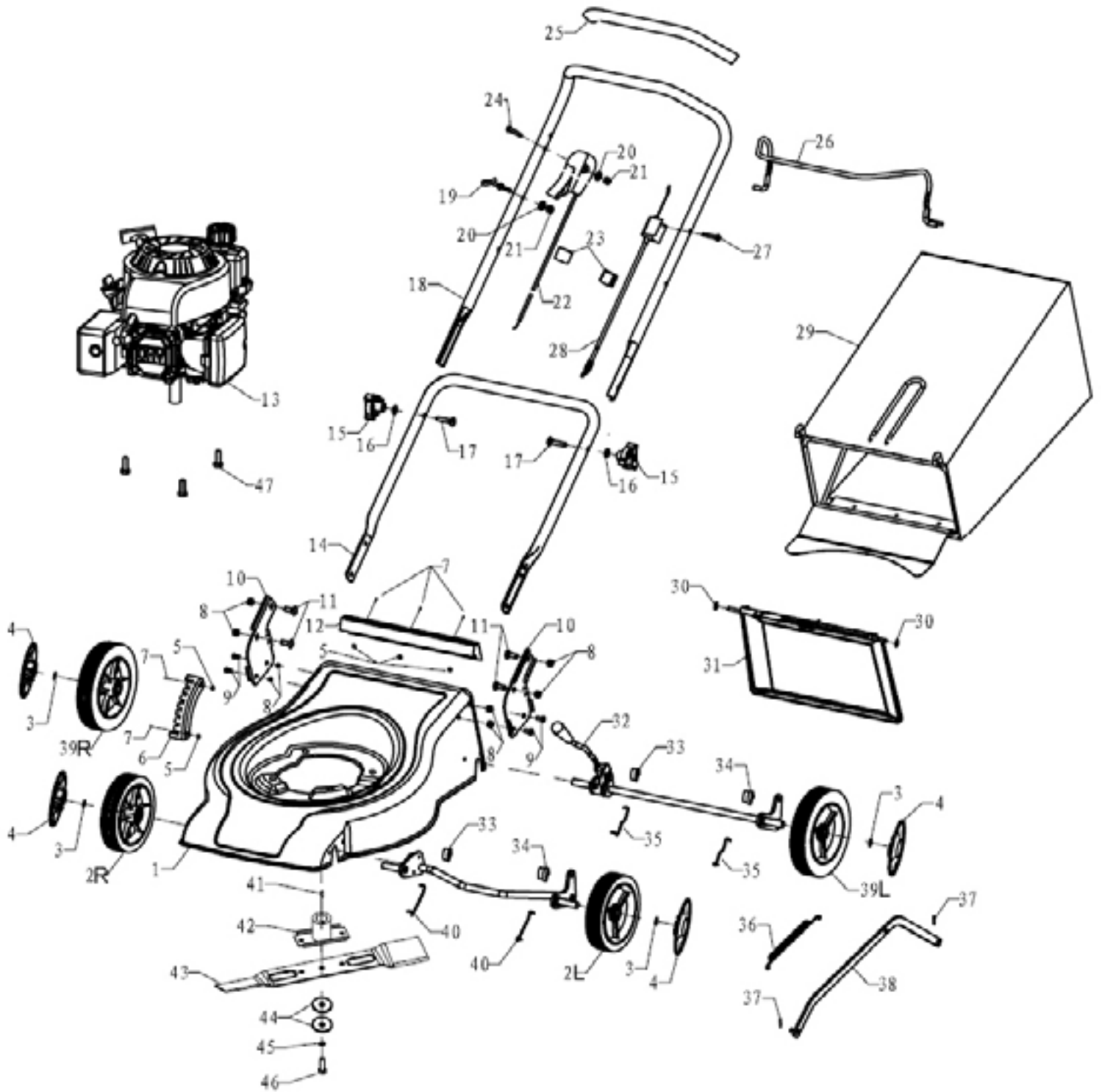


Machinery | Spares | Consumables
(Specialist suppliers to Tool Hire & Garden Machinery Dealers)

GP18PM Parts List



www.hscmsc.co.uk



Item No.	Part No.	Description
01	GP18PM-01	18" Push Deck
02	GP18PM-02R	Front 6" wheel with bearings Right Hand
02	GP18PM-02L	Front 6" wheel with bearings Left Hand
03	GP18PM-03	Snap Ring
04	GP18PM-04	Wheel cover
05	GP18PM-05	Locknut M5
06	GP18PM-06	Height Adjustor
07	GP18PM-07	Snap-head Bolt M5x12
08	GP18PM-08	Locknut M8
09	GP18PM-09	Hexagon Bolt M8x15
10	GP18PM-10	Bracket
11	GP18PM-11	Square-neck Bolt (Short)
12	GP18PM-12	Stamp Steel Ribbon
14	GP18PM-14	Lower Handle
15	GP18PM-15	Triangular Knob
16	GP18PM-16	Washer 8mm
17	GP18PM-17	Square-neck Bolt (Long)
18	GP18PM-18	Upper handle
19	GP18PM-19	Rope Guide
20	GP18PM-20	Washer 6mm
21	GP18PM-21	Locknut
22	GP18PM-22	Throttle Cable
23	GP18PM-23	Cli-cable single
24	GP18PM-24	Snap-head Bolt M6x45
25	GP18PM-25	PVC Handle Sheath

Item No.	Part No.	Description
26	GP18PM-26	Brake Lever
27	GP18PM-27	Snap-head Bolt M6x30
28	GP18PM-28	Brake cable
29	GP18PM-29	Grass Catcher Assembly
30	GP18PM-30	O Ring 6mm
31	GP18PM-31	Rear Flap Assembly
32	GP18PM-32F	Front Axle Assembly
32	GP18PM-32R	Rear Axle Assembly
33	GP18PM-33	Rear Axle Bush Right Hand
34	GP18PM-34	Rear Axle Bush Left Hand
35	GP18PM-35	Rear Axle Spring
36	GP18PM-36	Spring
37	GP18PM-37	Bumper Pin
38	GP18PM-38	Conlink
39	GP18PM-39R	Rear 7"wheel with bearings Right Hand
39	GP18PM-39L	Rear 7"wheel with bearings Left Hand
40	GP18PM-40	Front Axle Spring
41	GP18PM-41	Half-circle Key
42	GP18PM-42	Blade Adaptor
43	GP18PM-43	18" Straight blade
44	GP18PM-44	Butterfly Washer
45	GP18PM-45	Washer
46	GP18PM-46	Main Bearing Bolt
47	GP18PM-47	Fixing Engine Bolt