

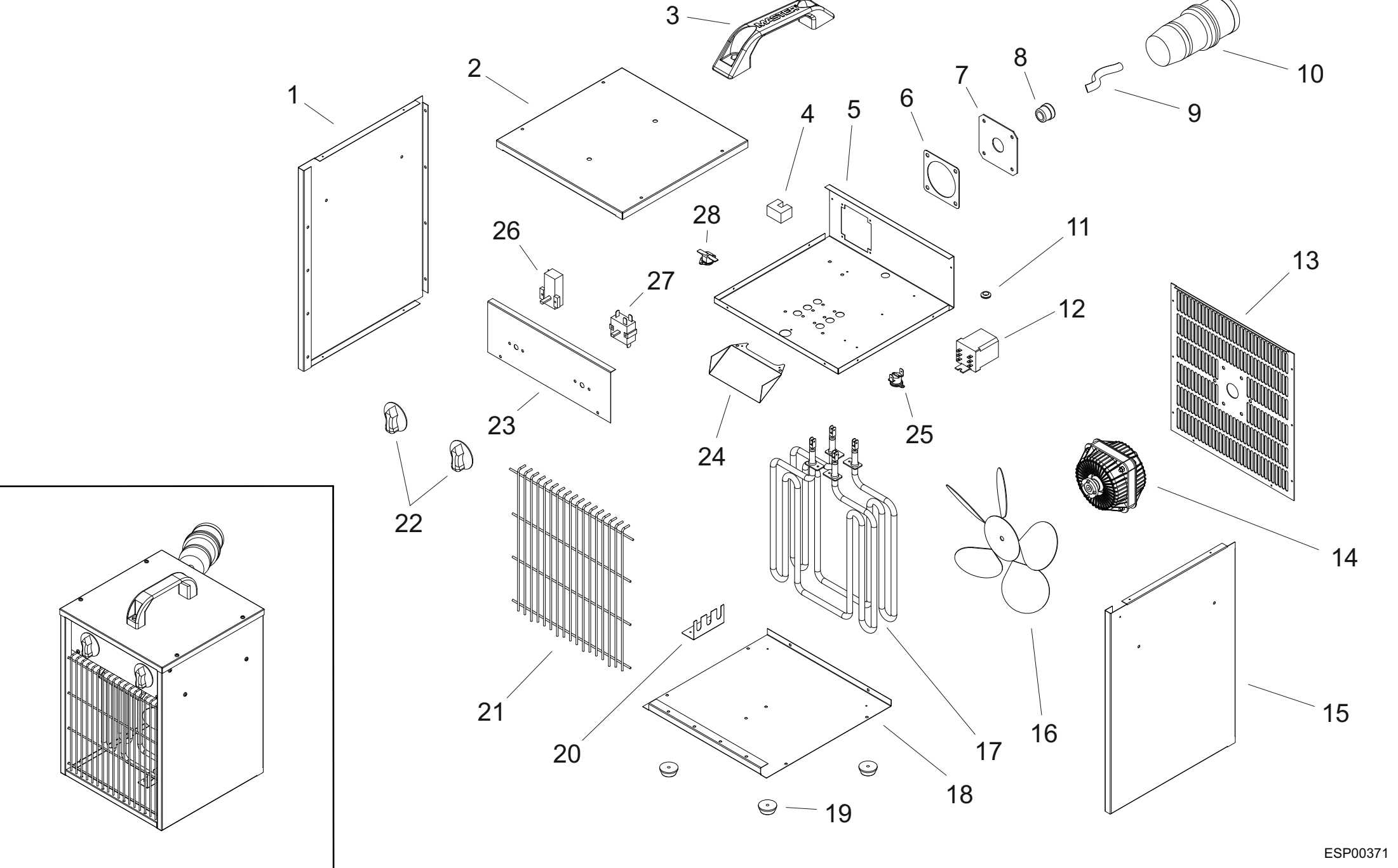
# MODEL B 3EPB W 110

UNIT 1

ILLUSTRATED PARTS BREAKDOWN

From Serial Number: ÝÝÔH €€€€

Rev. - May 2015



# MODEL B 3EPB W 110

UNIT 2

PARTS LIST

Pos.	Code N°	Description	Rev. - - June 2015
1	4511.235	RIGHT PANEL	
2	4511.237	UPPER PANEL	
3	4162.934	HANDLE	
4	4510.421	TERMINAL BOX	
5	4511.264	BASE	
6	4510.476	SEAL	
7	4511.804	ADAPTOR	
8	4510.615	STRAIN RELIEF	
9	4510.473	POWER CORD	
10	4510.475	YELLOW PLUG UK	
11	4511.621	WIRE PROTECTION	
12	4510.426	RELAY	
13	4511.222	REAR PANEL	
14	4510.324	MOTOR	
15	4511.234	LEFT PANEL	
16	4510.320	FAN	
17	4510.376	RESISTANCE	
18	4511.236	LOWER PANEL	
19	4510.607	RUBBER FOOT	
20	4511.221	RESISTANCE BRACKET	
21	4511.239	FRONT GRILL	
22	4165.007	REGULATION HANDLE	
23	4511.254	FRONTAL PANEL	
24	4511.220	TEMPERATURE PROTECTION BRACKET	
25	4510.404	TEMPERATURE SENSOR	
26	4510.403	THERMOSTAT	
27	4510.401	SELECTOR	
28	4510.449	SAFETY THERMOSTAT	