



MASTER

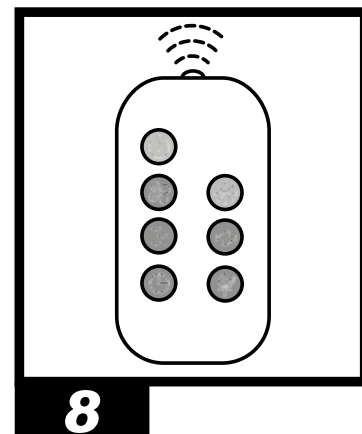
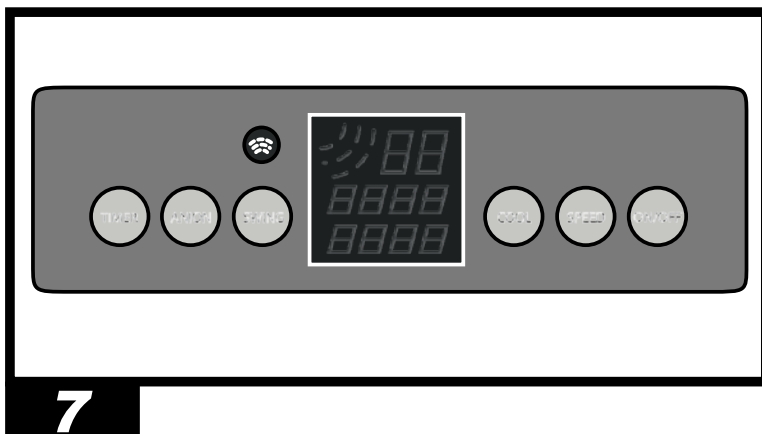
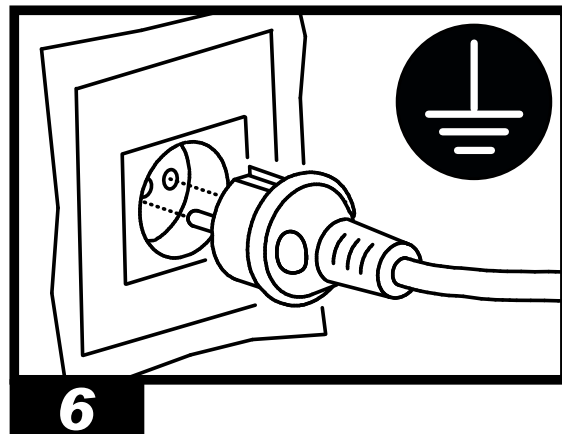
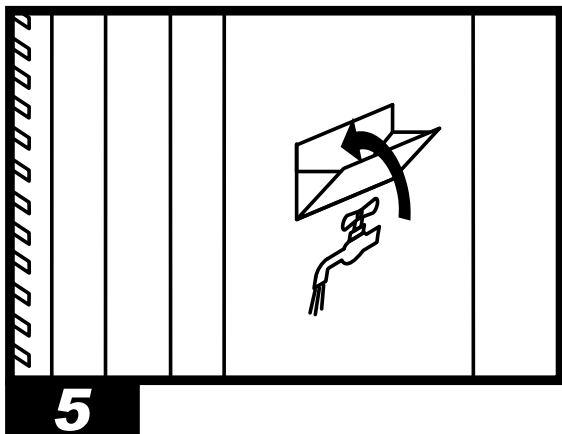
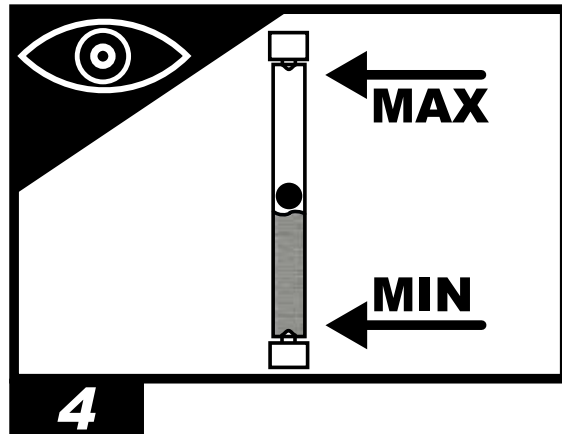
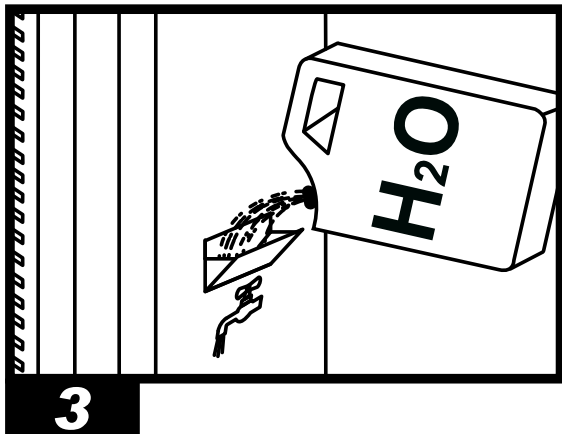
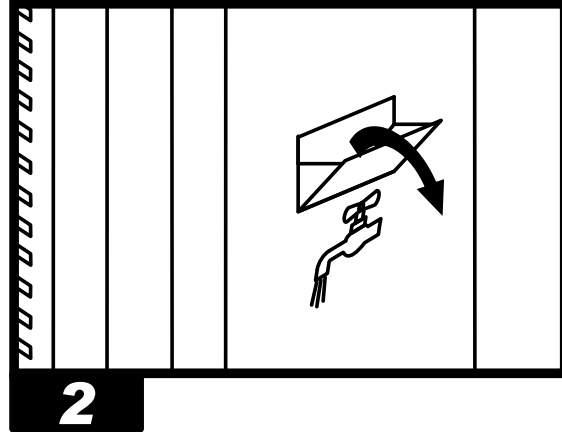
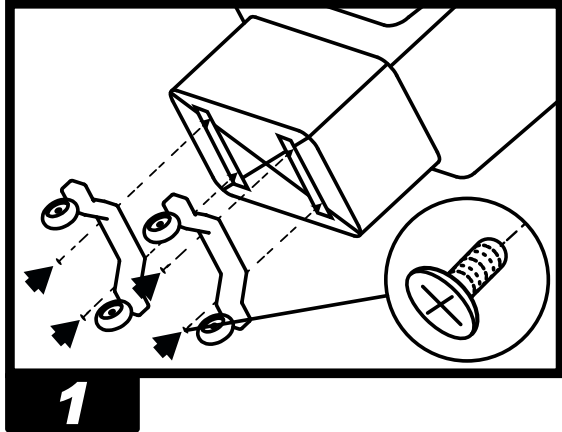


USER AND MAINTENANCE BOOK
LIBRETTO USO E MANUTENZIONE
BEDIENUNGS- UND WARTUNGSANLEITUNG
MANUAL DE INSTRUCCIONES PARA EL USO Y MANTENIMIENTO
MANUEL D'UTILISATION ET DE MAINTENANCE
HANDLEIDING VOOR GEBRUIK EN ONDERHOUD
MANUAL DE USO E MANUTENÇÃO
VEJLEDNING OM BRUG OG VEDLIGEHOELSE
KÄYTTÖ- JA HUOLTO-OHJE
HEFTE FOR BRUK OG VEDLIKEHOLD
ANVÄNDAR- OCH UNDERHÅLLSHANDBOK
INSTRUKCJA OBSŁUGI I KONSERWACJI
РУКОВОДСТВО ПО ЭКСПЛУАТАЦИИ И ТЕХНИЧЕСКОМУ ОБСЛУЖИВАНИЮ
PŘÍRUČKA PRO POUŽITÍ A ÚDRŽBU
HASZNÁLATI ÉS KARBANTARTÁSI KÉZIKÖNYV
PRIROČNIK Z NAVODILI ZA UPORABO IN VZDRŽEVANJE
KULLANIM VE BAKIM KİTAPÇIĞI
KNJIŽICA O UPORABI I ODRŽAVANJU
NAUDOJIMO IR PRIEŽIŪROS KNYGELĖ
LIETOŠANAS UN TEHNISKĀS APKOPES GRĀMATIŅA
KASUTUS- JA HOOLDUSJUHEND
LIVRET DE UTILIZARE ȘI ÎNTREȚINERE
PRÍRUČKA PRE POUŽITIE A ÚDRŽBU
НАРЪЧНИК ЗА ИЗПОЛЗВАНЕ И ПОДДРЪЖКА
ІНСТРУКЦІЯ КОРИСТУВАЧА ТА ОБСЛУГОВУВАННЯ ОБЛАДНАННЯ
ΕΓΧΕΙΡΙΔΙΟ ΧΡΗΣΗΣ ΚΑΙ ΣΥΝΤΗΡΗΣΗΣ

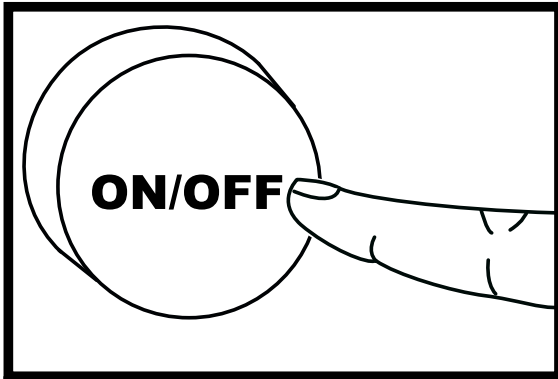
en
it
de
es
fr
nl
pt
da
fi
no
sv
pl
ru
cs
hu
sl
tr
lv
lt
uk
el

BC 60

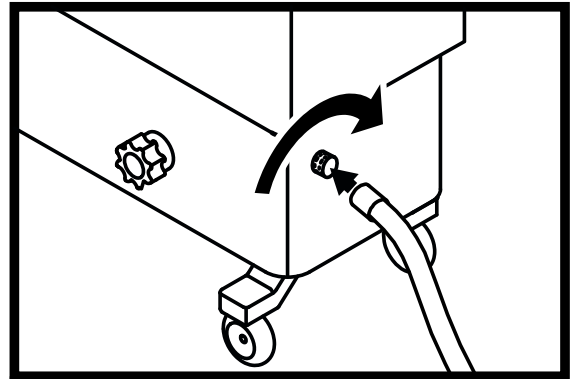
**FIGURES - FIGURE - ABBILDUNGEN - FIGURAS - FIGURES - FIGUREN
- FIGURAS - FIGURER - KUVAT - FIGURER - FIGURER - ILUSTRACJE
- ИЛЛЮСТРАЦИИ - OBRÁZKY - ÁBRÁK - SLIKE - ŞEKİLLER - SLIKE -
ILIUSTRACIJOS - ΑΤΤΕΛΙ - JOONISED - IMAGINI - OBRÁZKY - СХЕМИ - ДАНИ
- ΕΙΚΟΝΕΣ - 图示 - СУРЕТТЕМЕЛЕР**



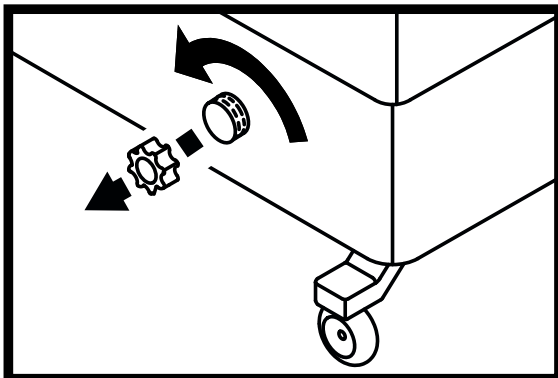
**FIGURES - FIGURE - ABBILDUNGEN - FIGURAS - FIGURES - FIGUREN
- FIGURAS - FIGURER - KUVAT - FIGURER - FIGURER - ILUSTRACJE
- ИЛЛЮСТРАЦИИ - OBRÁZKY - ÁBRÁK - SLIKE - ŞEKİLLER - SLIKE -
ILIUSTRACIJOS - ATTĒLI - JOONISED - IMAGINI - OBRÁZKY - СХЕМИ - ДАНИ
- ΕΙΚΟΝΕΣ - 图示 - СУРЕТТЕМЕЛЕР**



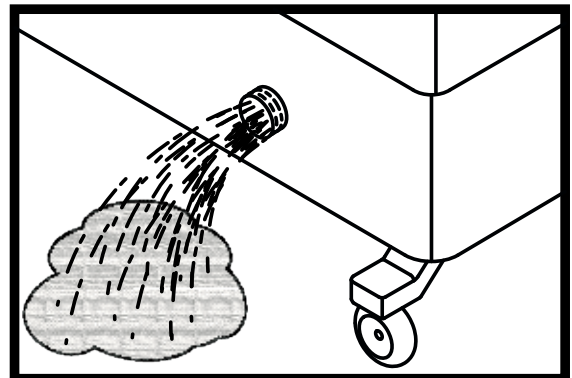
9



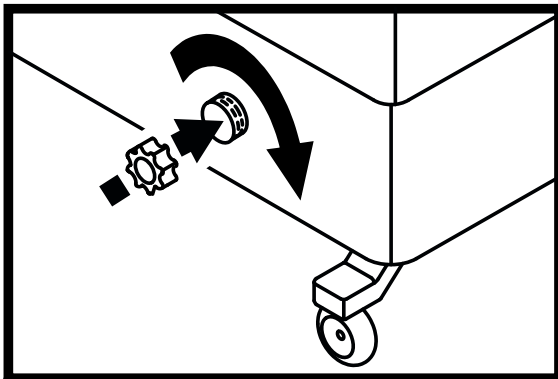
10



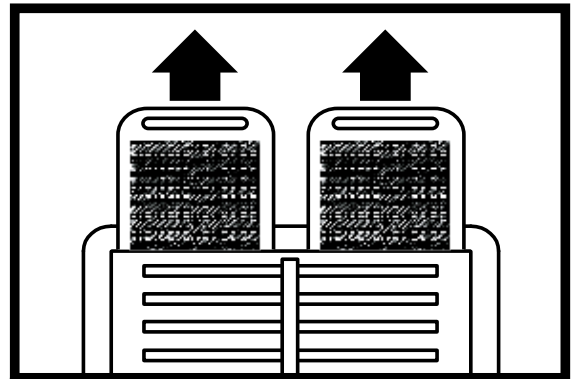
11



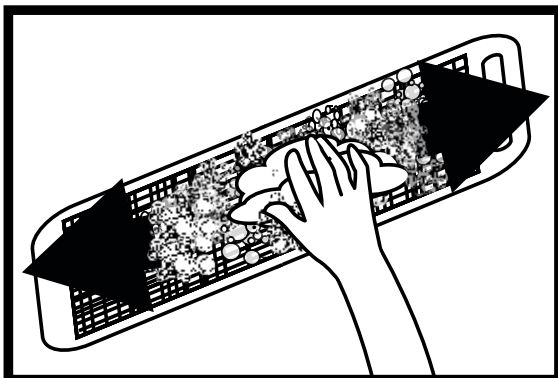
12



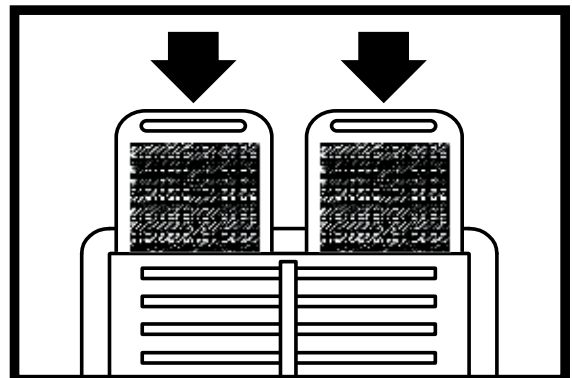
13



14



15



16

►► 1. INFORMATION REGARDING SAFETY

IMPORTANT: READ AND UNDERSTAND THIS OPERATIONAL MANUAL BEFORE ASSEMBLING, COMMISSIONING OR PERFORMING MAINTENANCE ON THIS APPLIANCE. INCORRECT USE OF THE APPLIANCE CAN CAUSE SERIOUS INJURY. KEEP THIS MANUAL FOR FURTHER REFERENCE.

IMPORTANT: This appliance is not suitable for use by persons (including children) with reduced physical, sensory and mental capacities or with lack of experience or knowledge unless supervised by a person responsible for their safety. Children must be supervised to make sure they do not play with the appliance.

- 1.1. Fill the appliance tank only with clean water.
- 1.2. Switch off and disconnect the appliance from the mains before filling it.
- 1.3. Do not move the appliance, once the tank has been filled.
- 1.4. When using the appliance, comply with all local regulations and Standard in force.
- 1.5. Keep the appliance dry, in order to avoid electric shocks. Hands must always be dry.
- 1.6. Use only in ventilated and dry areas.
- 1.7. For indoor use only.
- 1.8. Power the appliance only with voltage and frequency as specified on the data plate.
- 1.9. Only use extensions with three wires appropriately connected to earth.
- 1.10. Do not cover the appliance with paper, cardboard, plastic, metal sheets or any other inflammable material during use, in order to prevent any risk.
- 1.11. The appliance must be used on a stable and levelled surface, in order to prevent any risk.
- 1.12. When it is not used, disconnect the appliance from the power plug.
- 1.13. Do not block the air vent (rear side) or the air outlet (front side) of the appliance.
- 1.14. The minimum safety distance recommended between the appliance and walls or other items is 0,5 m.
- 1.15. When the appliance is connected to the mains or running, it must never be moved, handled, topped-up or subject to any maintenance operation.
- 1.16. The appliance (power cable included) must be kept at a suitable safety distance from heat sources.
- 1.17. In any case, the appliance must be opened and/or repaired by authorised after-sales centre.
- 1.18. If the power cable is damaged, it must be replaced by the technical after-sales centre, in order to prevent any risk.
- 1.19. Rinse the case with clean water and clean it before using, after the period during which the bio cooler was not in use.
- 1.20. In the case of improper operation of the product at the start, disconnect it from the power supply immediately and contact service point.
- 1.21. Protect the power supply cord from damage as a result of movement of the vehicles or

pedestrians. The connection of improper electrical voltage or improper installation, will cause the electrical shock hazard.

►► **1.22. Conditions of use:**

A) Air temperature: 18°C to 45°C;
Water temperature: <45°C.

B) The air supply must be free of dust, pollutants, or additional cleaning should be used.

►► **2. UNPACKING**

►► **2.1.** Remove all packaging materials used to wrap and deliver the appliance and dispose of them in compliance with the Standards in force.

►► **2.2.** Extract all items from the packaging.

►► **2.3.** Verify if damage undergone during transport. If the appliance appears damaged, inform the dealer, where the purchase was made, immediately.

►► **3. ASSEMBLY**

The device is equipped with wheels to facilitate handling. Depending on the model, wheels can be found already installed or not. Components equipped with relative nuts and bolts are found inside the packaging (Fig. 1).

►► **4. OPERATION**

WARNING: Thoroughly read the "INFORMATION REGARDING SAFETY", before switching the appliance on.

WARNING: Only use clean water to prevent failures or other anomalies.

WARNING: Verify if your electronic system is earthed correctly. Connection to the mains must be made in compliance with the National Standards in force. Power the appliance only with voltage and frequency as specified on the data plate.

NOTE: These models can be connected to the water mains, by connecting the pipe to the fitting (Fig. 10).

►► **4.1. SWITCHING ON:**

►► **4.1.1.** Open the tank door (Fig. 2).

►► **4.1.2.** Fill the tank with water (Fig. 3); water level must be within MIN and MAX level of the graduated scale, placed at the side of the appliance (Fig. 4), in order to prevent risks.

►► **4.1.3.** Close the tank door (Fig. 5).

►► **4.1.4.** Connect the power plug to the mains (Fig. 6).

►► **4.1.5.** Press the ON/OFF button to switch on the appliance (Fig. 9).

►► **4.2. CONTROL PANEL, USE AND FUNCTIONS (Fig. 7-8):**

►► **ON/OFF:** It allows switching ON or OFF the appliance.

►► **SPEED:** Allows increasing or decreasing the appliance ventilation speed. Three speeds can be selected - LOW, MID and HIGH.

►► **COOL:** It enables or disables the cooling mode.

►► **SWING:** It enables or disables the automatic vertical oscillation of the flaps to direct the air flow.

►► **ANION:** It enables or disables the ionisation mode, i.e. release of negative ions into the environment, in order to make air healthier.

▶ **TIMER:** It enables or disables the timer of the appliance automatic switch-OFF. Intervals can be of half-hour up to 12 hours.

▶▶ **4.3. SWITCHING OFF:**

▶ **4.3.1.** Press the ON/OFF button to switch off the appliance (Fig. 9).

▶ **4.3.2.** Empty the tank using the drain cap (Fig. 11-12-13).

▶▶ **5. CLEANING AND MAINTENANCE**

WARNING: BEFORE PERFORMING ANY MAINTENANCE OR REPAIR, DISCONNECT THE POWER CABLE FROM THE MAINS.

DEPENDING ON THE ENVIRONMENT WHERE THE APPLIANCE IS USED, DUST, DIRT OR WATER QUALITY CAN AFFECT THE PERFORMANCE OF THE UNIT. THEREFORE, CLEANING THE FOLLOWING COMPONENTS CAN BE NECESSARY:

▶▶ **5.1. TANK:**

We recommend changing the water frequently.

▶ **5.1.1.** Switch off the appliance and disconnect the plug from the mains (Fig. 9-6).

▶ **5.1.2.** Remove the drain plug and empty the vessel, then wash it, using a soft cloth. Wash away the dirt from the water sensor, water pump and float valve. Rinse everything.

▶ **5.1.3.** In order to clean the housing, use delicate soap and a soft cloth. Do not use any caustic detergents, which may damage the air conditioner housing.

▶ **5.1.4.** In order to prevent the accumulation of algae and other biological organisms in the vessel, add chlorine or bromine tablets or

other tablets recommended by the manufacturer regularly, intended for the vessels of evaporation air conditioners.

▶▶ **5.2. FILTERS:**

We recommend cleaning filters frequently.

WARNING: Dirty filters can affect the performance of the appliance.

▶ **5.2.1.** Switch off the appliance and disconnect the plug from the mains (Fig. 9-6).

▶ **5.2.2.** Remove the filters upwards (Fig. 14).

▶ **5.2.3.** Clean the filters using a mild detergent and a clean cloth (Fig. 15). Ensure the filter is fully dry.

▶ **5.2.4.** Place the filter back into its housing (Fig. 16).

▶▶ **5.3. WATER CIRCUIT:**



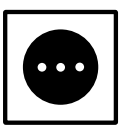

▶ **5.3.1.** To ensure proper operation of the cooler, turn off COOL mode a few minutes before completely switching off the appliance, in order to avoid stagnant water.

▶ **5.3.2.** Once a month we recommend performing a complete cycle using clean water and appropriate disinfection products, running the cooler outdoors.

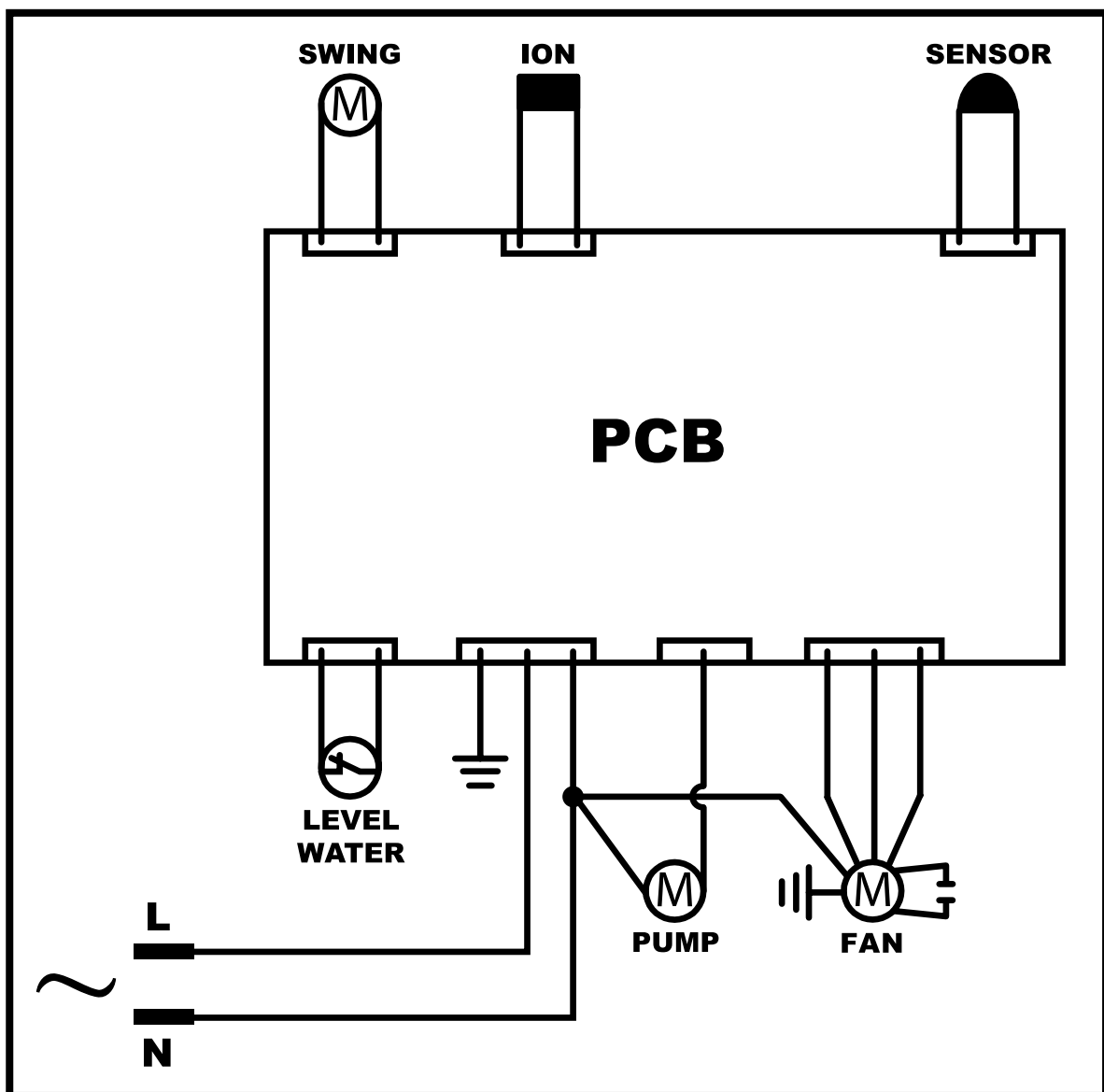
►► 6. TROUBLESHOOTING

FUNCTIONING ANOMALIES	CAUSES	SOLUTIONS
The display doesn't work	<ol style="list-style-type: none"> 1. No power supply 2. Defective equipment 	<ol style="list-style-type: none"> 1a. Check whether the device is connected to power supply 1b. Contact service point 2. Contact service point
No air flow or too low	<ol style="list-style-type: none"> 1. Obstruction of the air intake on the back 2. Defective equipment 	<ol style="list-style-type: none"> 1a. Keep the back side far from walls that can block air inlet 1b. Remove objects from inlet air section 1c. Contact service point 2. Contact service point
The device does not respond to commands	<ol style="list-style-type: none"> 1. Defective equipment 	<ol style="list-style-type: none"> 1. Contact service point
The device leak water	<ol style="list-style-type: none"> 1. The drain cap is loose 2. The drain is dirty and the cap doesn't fit 3. The tank leak 4. The panel drip 	<ol style="list-style-type: none"> 1. Close the drain cap 2. Clean the drain and close the cap 3. Contact service point 4. Contact service point

TECHNICAL DATA - DATI TECNICI - TECHNISCHE DATEN - DATOS TÉCNICOS - DONNÉES TECHNIQUES - TECHNISCHE GEGEVENS - DADOS TÉCNICOS - TEKNISCHE DATA - TEKNISET TIEDOT - TEKNISCHE DATA - TEKNISKA DATA - DANE TECHNICZNE - ТЕХНИЧЕСКИЕ ДАННЫЕ - TECHNICKÉ ÚDAJE - MŰSZAKI ADATOK - TEHNIČNI PODATKI - TEKNİK VERİLER - TEHNIČKI PODACI - TECHNINIAI DUOMENYS - TEHNISKIE DATI - TEHNILISED ANDMED - DATE TEHNICE - TECHNICKÉ ÚDAJE - ТЕХНИЧЕСКИ ДАННИ - ТЕХНІЧНІ ДАНІ - TEHNIČKI PODACI - ТЕХНИКА ДЕДОМЕНА - 技术参数 - ТЕХНИКАЛЫҚ КӨРСЕТКІШТЕР

MODEL	BC 60
	6.000 m ³ /h-m ³ /ч
	57 l-л
	220-240 V-B 50 Hz-Гц 1,2 A 280 W-Вт
	35 kg-кг
	IPX1

**WIRING DIAGRAMS - SCHEMI ELETTRICI - SCHALTPLÄNE - ES-
 QUEMAS ELÉCTRICOS - SCHEMAS ELECTRIQUES - ELEKTRISCHE
 SCHEMA'S - ESQUEMAS ELÉCTRICOS - ELEKTRISKE SKEMAER
 - SÄHKÖKAAVIOT - KOPLINGSSKJEMA - ELEKTRISKA KOP-
 PLINGSSCHEMAN - SCHEMATY ELEKTRYCZNE - ЭЛЕКТРИЧЕСКИЕ
 СХЕМЫ - ELEKTRICKÁ SCHÉMATA - VILLANYBEKÖTÉSI RAJ-
 ZOK - ELEKTRIČNE SHEME - ELEKTRİK ŞEMALARI - ELEKTRIČNE
 SHEME - ELEKTROS SCHEMOS - ELEKTRISKĀS SHĒMAS - ELE-
 KTRISKEEMID - SCHEME ELECTRICHE - ELEKTRICKÉ SCHÉMY -
 ЕЛЕКТРИЧЕСКИ СХЕМИ - ЕЛЕКТРИЧНІ СХЕМИ - ELEKTRIČNE
 ŠEME - ΗΛΕΚΤΡΙΚΑ ΣΧΕΔΙΑ - 线路图 - ЭЛЕКТРЛІ СҮЛБЕЛЕР**





CE CONFORMITY CERTIFICATE - DICHIARAZIONE DI CONFORMITÀ CE - EG-KONFORMITÄT SERKLÄRUNG - DECLARACIÓN DE CONFORMIDAD CE - DECLARATION DE CONFORMITE CE - EG-CONFORMITEITVERKLARING - DECLARAÇÃO DE CONFORMIDADE CE - EU-OVERENSSTEMMELSESERKLÆRING - EY-VAATIMUSTENMUKAISUUSVAKUUTUS - CE-SAMSVAR SERKLÆRING - EG-FÖRSÄKRAN OM ÖVERENSSTÄMMELSE - DEKLARACJA ZGODNOŚCI WE - ДЕКЛАРАЦИЯ О СООТВЕТСТВИИ CE - PROHLÁŠENÍ O SHODĚ CE - EK MEGFELELŐSÉGI NYILATKOZAT - IZJAVA O SKLADNOSTI IN OZNAKA CE - CE UYGUNLUK BEYANI - IZJAVA CE O SUKLADNOSTI - ES ATITIKTIES DEKLARACIJA - EK ATBILSTĪBAS - DEKLARĀCIJA - EŪ VASTAVUSDEKLARĀCIJA - DECLARAȚIE DE CONFORMITATE CE - PREHLÁSENIE O ZHODE CE - ДЕКЛАРАЦИЯ ЗА СЪВМЕСТИМОСТ CE - ДЕКЛАРАЦИЯ ВІДПОВІДНОСТІ CE - IZJAVA CE O PRIKLADNOSTI ΔΗΛΩΣΗ ΣΥΜΜΟΡΦΩΣΗΣ CE - CE 符合性声明

MCS ITALY S.p.A. Via Gardesana 11, -37010- Pastrengo (VR), ITALY

Product: - Prodotto: - Produkt: - Producto: - Produit: - Product: - Produto: - Produkt: - Tuote: - Produkt: - Produkt: - Produkt: - Изделие: - Výrobek: - Termék: - Izdelek: - Ürün: - Proizvod: - Gaminys: - Ierīce: - Toode: - Produsul: - Výrobok: - Продукт: - Виріб: - Proizvod: - Προϊόν: - 产品:

BC 60

We declare that it is compliant with: - Si dichiara che è conforme a: - Es wird als konform mit den folgenden Normen erklärt: - Se declara que está en conformidad con: - Nous déclarons sa conformité à: - Hierbij wordt verklaard dat het product conform is met: - Declara-se que está em conformidade com: - Vi erklærer at produktet er i overensstemmelse med: - Vakuutetaan olevan yhdenmukainen: - Man erklærer at apparatet er i overensstemmelse med: - Härmed intygas det att produkten är förenlig med följande: - Oświadczam się, że jest zgodny z: - Заявляем о соответствии требованиям: - Prohlašuje se, že je v souladu s: - Kijelentjük, hogy a termék megfelel az alábbiaknak: - Izpolnjuje zahteve: - Aşağıdaki standartlara uygun olduğunu beyan ederiz: - Izjavljuje se da je u skladu s: - Pareiškiame, kad atitinka: - Tiek deklarēts, ka atbilst: - Käesolevaga deklareeritakse, et toode vastab: - Declarăm că este conform următoarelor: - Prehlasuje sa, že je v súlade s: - Декларира се че отговаря на: - Відповідає вимогам: - Izjavljuje se da je u skladu s: - Δηλώνουμε ότι είναι σύμφωνο με: - 兹证明符合:

2014/30/EU, 2014/35/EU, 2011/65/EU

EN 60335-1, EN 60335-2-98

Pastrengo, 16/01/2016

Stefano Verani (CEO MCS Group)

► en - DISPOSAL OF THE PRODUCT

- This product has been designed and manufactured with top-quality materials and components, which can be re-cycled and re-used.
- When a crossed-wheely bin symbol is attached to the product, it means that the product is protected by the, 2002/96/EC European Directive.
- Please obtain information regarding the local differentiated collection system for electrical and electronic products.
- Respect local Standards in force and do not dispose of old products as normal domestic waste. Correct disposal of the product helps to prevent possible negative consequences for health, the environment and mankind.

► it - SMALTIMENTO DEL PRODOTTO

- Questo prodotto è stato progettato e fabbricato con materiali e componenti di alta qualità, che possono essere riciclati e riutilizzati.
- Quando ad un prodotto è attaccato il simbolo del bidone con le ruote segnato da una croce, significa che il prodotto è tutelato dalla Direttiva Europea 2002/96/CE.
- Si prega di informarsi in merito al sistema locale di raccolta differenziata per i prodotti elettrici ed elettronici.
- Rispettare le norme locali in vigore e non smaltire i prodotti vecchi nei normali rifiuti domestici. Il corretto smaltimento del prodotto aiuta ad evitare possibili conseguenze negative per la salute dell'ambiente e dell'uomo.

► de - ENTSORGUNG DES PRODUKTS

- Dieses Produkt wurde unter Verwendung von Qualitätsmaterialien und -bauteilen entwickelt und hergestellt, die recycelt und wieder verwendet werden können.
- Ist ein Produkt gekennzeichnet durch die Mülltonne mit Rädern und einem Kreuz, wird hier angezeigt, dass dieses Produkt durch die europäische Richtlinie 2002/96/EG überwacht ist.
- Es wird gebeten, sich über die vor Ort bestehende Mülltrennung bezüglich elektrischer und elektronischer Produkte zu informieren.
- Die vor Ort geltenden Vorschriften zur Müllentsorgung müssen eingehalten werden und alte Produkte dürfen nicht zusammen mit dem Hausmüll entsorgt werden. Die ordnungsgemäße Entsorgung des Produkts hilft mögliche negative Folgen für Gesundheit und Umwelt zu vermeiden.

► es - ELIMINACIÓN DEL PRODUCTO

- Este producto ha sido diseñado y fabricado con materiales y componentes de alta calidad que se pueden reciclar y reutilizar.
- Cuando en el producto se encuentra el símbolo del contenedor con las ruedas tachado con una cruz, significa que el producto está tutelado por la Directiva europea 2002/96/CE.
- Se ruega informarse acerca del sistema local de recogida selectiva para los productos eléctricos y electrónicos.
- Respete las normas locales vigentes y no elimine los productos viejos junto con los residuos domésticos normales. La eliminación correcta del producto ayuda a evitar posibles consecuencias negativas para la salud del ambiente y del hombre.

► fr - SE DÉBARRASSER DE VOTRE PRODUIT USAGÉ

- Ce produit a été conçu et fabriqué avec des matériaux et des composants de haute qualité, qui peuvent être recyclés et utilisés de nouveau.
- Lorsque le symbole d'une poubelle à roue barrée est appliqué à un produit, cela signifie que le produit est couvert par la Directive Européenne 2002/96/CE.
- Veuillez vous informer du système local de séparation des déchets électriques et électroniques.
- Veuillez agir selon les règles locale set ne pas jeter vos produits usagés avec les déchets domestiques usuels. Jeter correctement votre produit usagé aidera à prévenir les conséquences négatives potentielles contre l'environnement et la santé humaine.

► nl - VERWIJDERING VAN HET PRODUCT

- Dit product werd ontworpen en gemaakt met hoogwaardige materialen en componenten, die gerecycleerd en herbruikt kunnen worden.
- Wanneer op een product het symbool van de afvalbak op wielen met een kruis erdoor is aangebracht, betekent dit dat het product valt onder de Europese Richtlijn 2002/96/EG.
- Gelieve inlichtingen in te winnen betreffende het plaatselijke systeem voor gedifferentieerde inzameling van elektrische en elektronische toestellen.
- Respecteer de plaatselijke normen die van kracht zijn, en verwijder de oude toestellen niet als gewoon huishoudelijk afval. Een correcte verwijdering van het product helpt om mogelijke negatieve gevolgen voor de gezondheid van mens en milieu te voorkomen.

► pt - ELIMINAÇÃO DO PRODUTO

- Este produto foi projetado e fabricado com materiais e componentes de alta qualidade que podem ser reciclados e reutilizados.
- Quando for afixado em um produto o símbolo do bidão com rodas marcado com uma cruz, significa que o produto é protegido pela Diretiva Europeia 2002/96/CE.
- Solicitamos informar-se sobre o sistema local de recolha diferenciada para os produtos elétricos e eletrônicos.
- Respeitar as normas locais em vigor e não eliminar os produtos antigos como normais detritos domésticos. A correta eliminação do produto ajuda a evitar possíveis consequências negativas para a saúde do ambiente e do homem.

MCS Italy S.p.A.

Via Gardesana 11, -37010-
Pastrengo (VR), Italy
info@mcsitaly.it

MCS Central Europe Sp. z o.o.

ul. Magazynowa 5A,
62-023 Gądk, Poland
office@mcs-ce.pl

MCS Russia LLC

ul. Transportnaya - 22 ownership 2,
142802, STUPINO, Moscow region, Russia
info@mcsrussia.ru

MCS China LTD

Unit A1, No. 1515, Jinshao Rd.,
Baoshan Industrial Zone,
Shanghai, 200949, China
office@mcs-china.cn

MCS Italy S.p.A.

Виа Гардесана 11, 37010
Пастренго (Верона), Италия
info@mcsitaly.it

MCS Central Europe Sp. z o.o.

ул. Магазинова, 5А,
62-023 Гадки, Польша
office@mcs-ce.pl

ООО «ЭмСиЭс Россия»

Ул. Транспортная, владение 22/2,
142802, г.Ступино, Московская обл., РФ
info@mcsrussia.ru

MCS China LTD

строение А1, № 1515, ул. Джиньшао,
промышленная зона Баошань,
Шанхай, 200949, Китай
office@mcs-china.cn