

THE
BARRETO
MODEL E30SG STUMP GRINDER

CONGRATULATIONS!

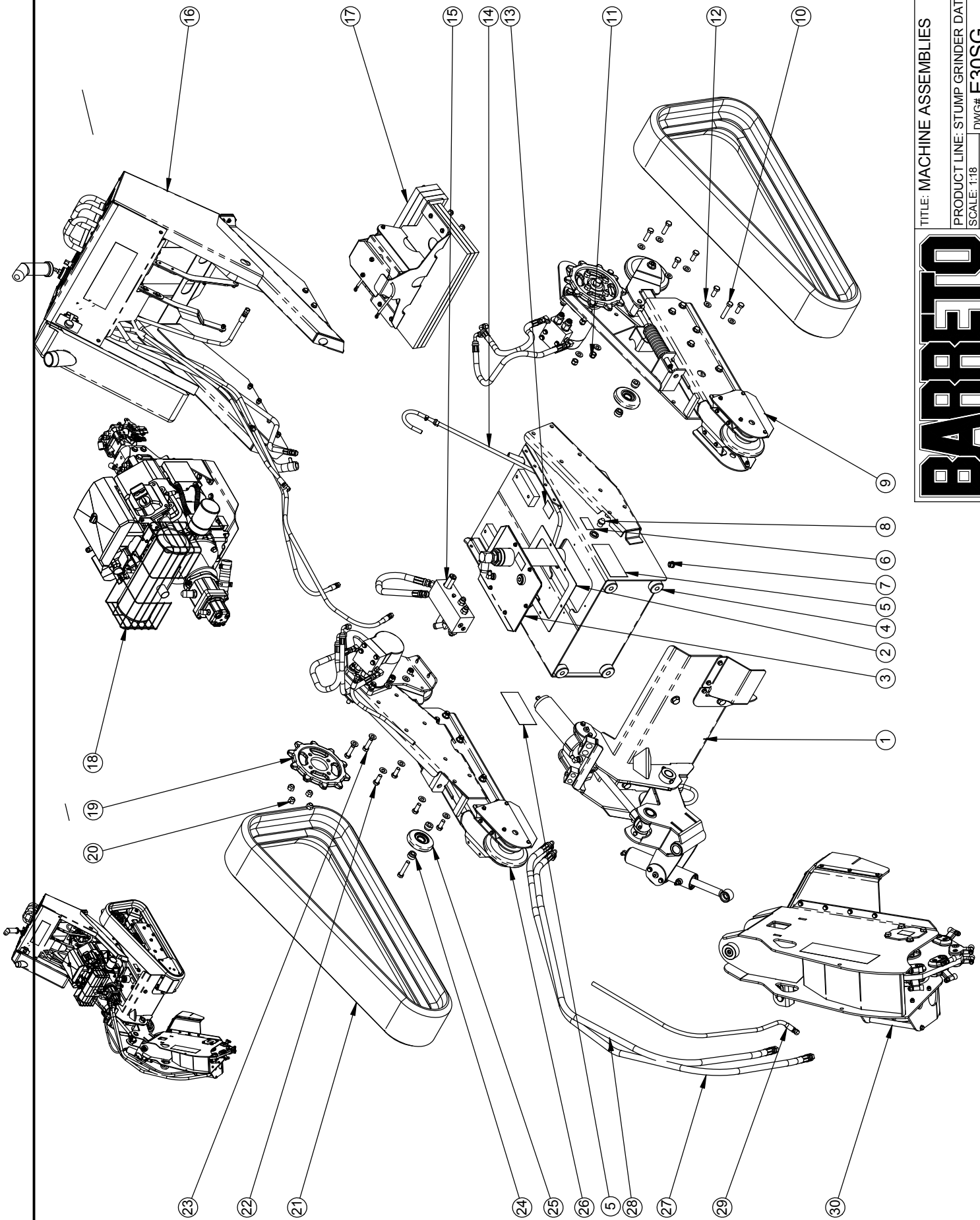
You are now the proud owner of a BARRETO stump grinder. The following pages have detailed views of your machine, along with corresponding part numbers. If you have any questions or need any replacement parts in the future, please contact us at your convenience. Our toll-free phone number, fax and email are listed below and parts may be ordered through any of these methods.

THANK YOU for your patronage and confidence in BARRETO equipment.

Barreto Manufacturing, Inc.
Innovative Equipment Engineered to Last
66498 Hwy 203, La Grande, OR 97850
(800) 525-7348 (541) 963-7348
FAX (541) 963-6755
E-Mail: info@barretomfg.com
Web Site: <http://www.barretomfg.com>

Machine Identification Record

Barreto Customer number _____
Machine model number _____
Machine serial number _____
Engine manufacturer _____
Engine model number _____
Engine serial number _____



TITLE: MACHINE ASSEMBLIES

PRODUCT LINE: STUMP GRINDER DATE: 7/12

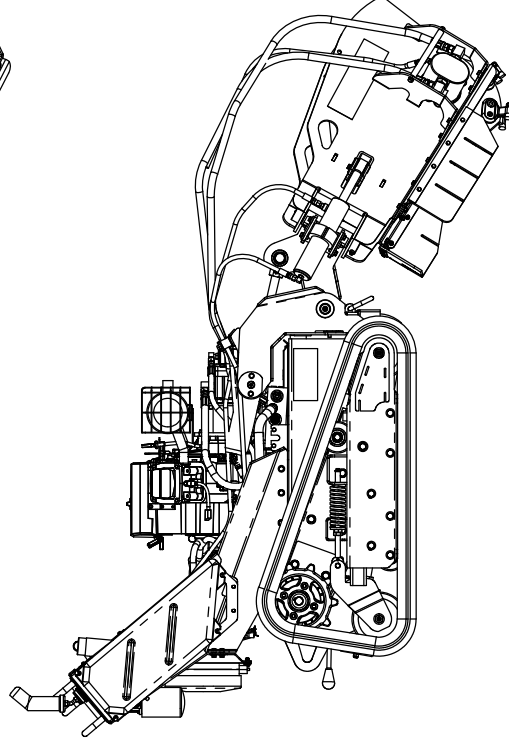
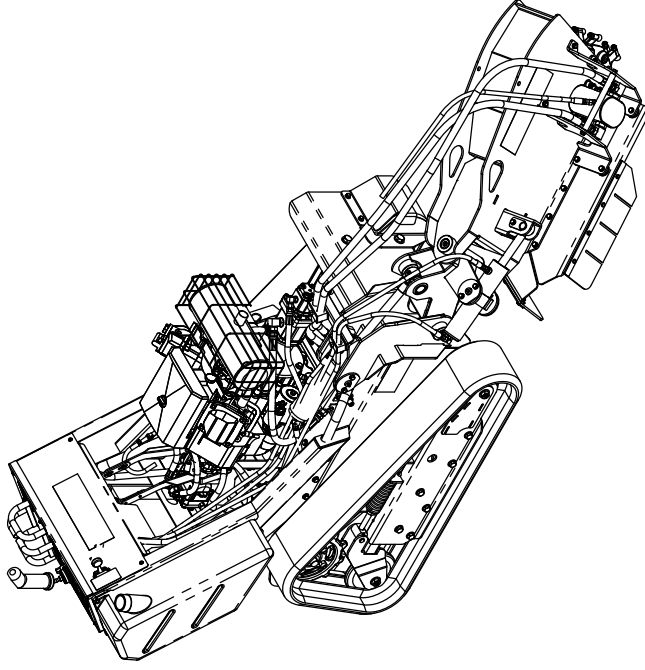
SCALE: 1:18

DWG# E30SG

SHEET 1 OF 2

BARRETO

ITEM NO.	QTY.	PART NO.	DESCRIPTION
1	1	00494	PIVOT HEAD ASSEMBLY
2	1	11178	LID GASKET
3	1	00499	LID ASSEMBLY
4	1	01270	BODY, TRACK TRENCHER
5	2	04451-04	DECAL, "30-SG"
6	1	03040-57	DECAL, "HYDRAULIC OIL LEVEL"
7	1	10361	FITTING, 6409-8 PLUG
8	1	03503	SIGHT GAUGE
9	1	00333-SG	CARRIAGE, LEFT
10	2	11447	HH CAP SCREW, 1/2-13 NC X 2-1/2 G5 ZN
11	4	05098	NUT, NYLOCK, 1/2-13 NC ZINC
12	16	05102	WASHER, 1/2 SAE ZINC HARDENED
13	1	03341-18	DECAL, TRENCHER S/N
14	1	11239	VENT HOSE ASSEMBLY
15	1	00495	CUTTER VALVE
16	1	00498	CONTROL ASSEMBLY
17	1	00326	WEIGHT & BATTERY OPTIONS
18	1	00390-K30	ENGINE / PUMPS ASSEY, KOHLER 30
19	2	10874	TRACK SPROCKET
20	8	05042	NUT, LUG, 1/2-20 NF
21	2	10964	TRACK, 180 X 36 X 72
22	8	05323	HH CAP SCREW, 1/2-13 NC X 1-1/4 G5 ZINC
23	4	05129	HH CAP SCREW, 1/2-13 NC X 1-3/4 G5 ZINC
24	4	11155	ROLLER SPACER, SHORT
25	2	00366	MID ROLLER ASSY
26	1	00334-SG	CARRIAGE, RIGHT
27	1	12364	HOSE, VALVE REAR / MOTOR FRONT
28	1	12365	HOSE, VALVE FRONT / MOTOR REAR
29	1	12385	HOSE, MOTOR CASE DRAIN
30	1	00490	CUTTER HEAD ASSY



TITLE: MACHINE ASSEMBLIES

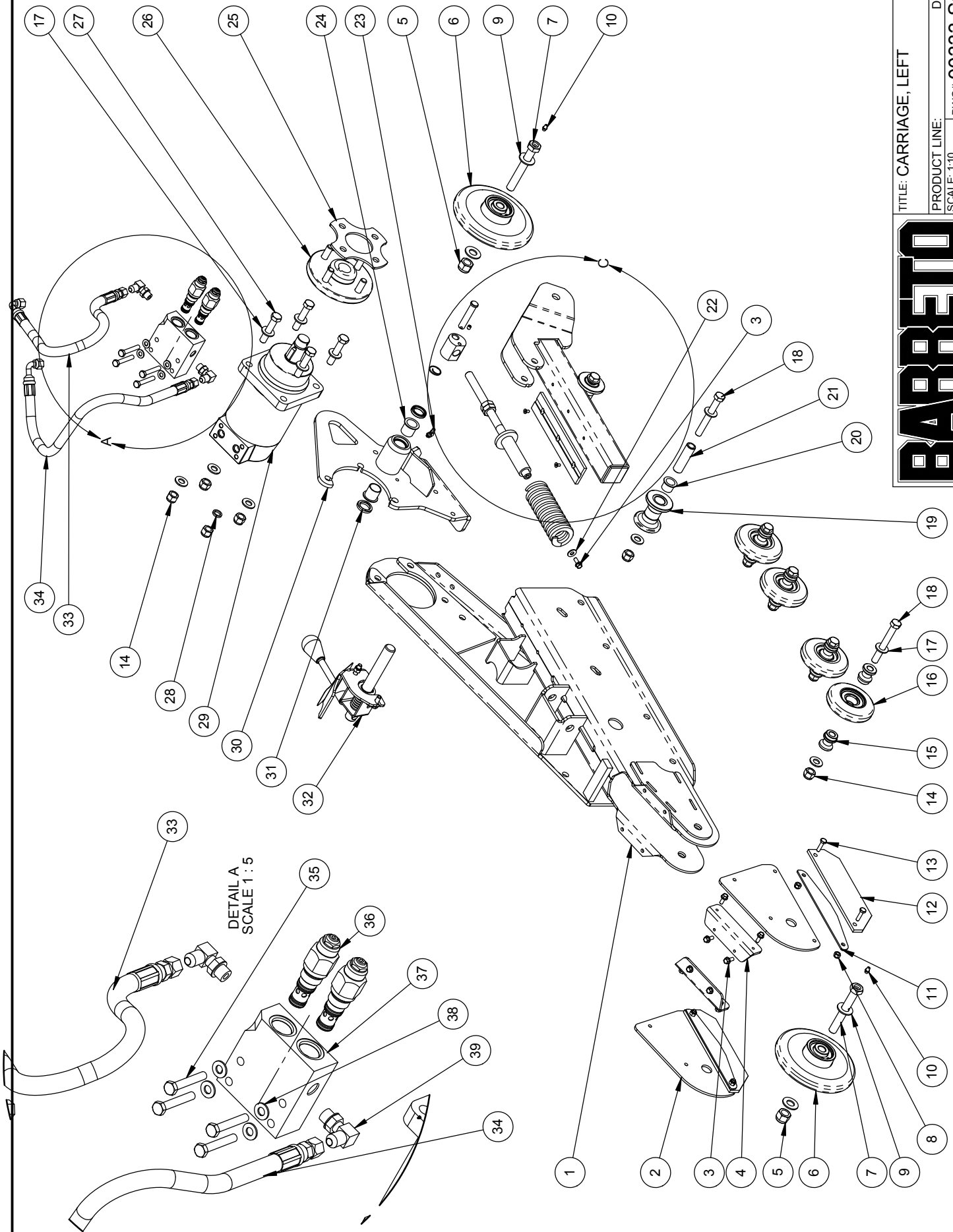
PRODUCT LINE: STUMP GRINDER DATE: 7-12

SCALE: 1:24

SHEET 2 OF 2

DWG# E30SG

BARRETO



DETAIL A
SCALE 1:5

BARRETO

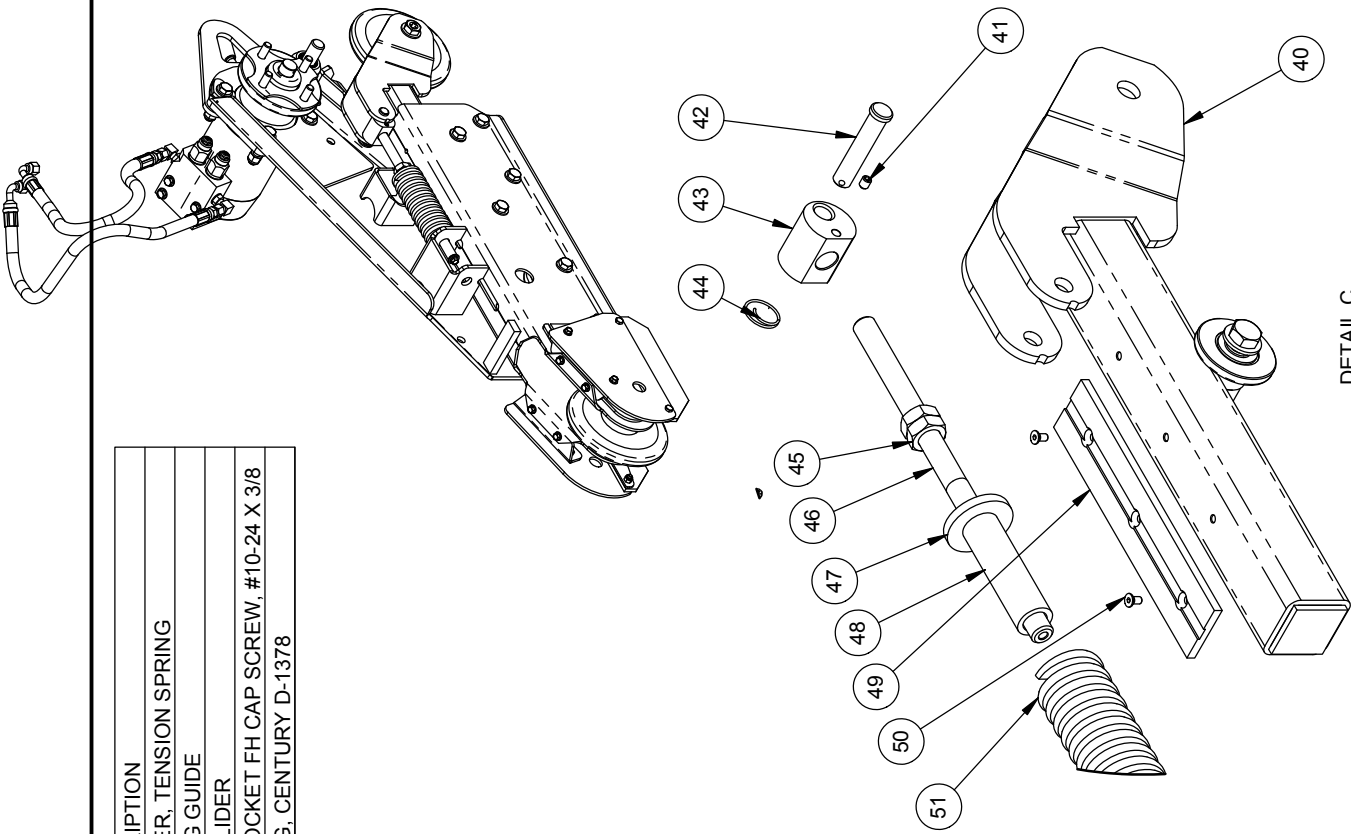
TITLE: CARRIAGE, LEFT

PRODUCT LINE: DATE: /08

SCALE: 1:10 DWG# 00333-SG

SHEET 1 OF 2

ITEM NO.	QTY.	PART NO.	DESCRIPTION	ITEM NO.	QTY.	PART NO.	DESCRIPTION
1	1	10849-L	LEFT CARRIAGE	47	1	11157	WASHER, TENSION SPRING
2	2	11247	ROLLER GUARD	48	1	11470	SPRING GUIDE
3	9	05069	WHIZ LOCK, 1/4-20 NC X 5/8 ZINC	49	1	10910	ARM SLIDER
4	2	11251	ROLLER GUARD MOUNT	50	2	05084	HEX SOCKET FH CAP SCREW, #10-24 X 3/8
5	2	05099	NUT, NYLOCK, 5/8-11 NC ZINC	51	1	11674	SPRING, CENTURY D-1378
6	2	00335	IDLER ASSEMBLY				
7	2	11490	ROLLER AXLE, 5/8 X 4-1/2"				
8	4	05096	NUT, NYLOCK, 1/4-20 NC ZINC				
9	4	05272	WASHER, 5/8 SAE ZINC HARDENED				
10	2	05044	GREASE ZERK, 1/4-28 UNF				
11	2	11474	FLAP BACKING				
12	2	11475	FLAP				
13	4	05237	HH CAP SCREW, 1/4-20 NC X 1 G5 ZINC				
14	10	05098	NUT, NYLOCK, 1/2-13 NC ZINC				
15	8	11144	ROLLER SPACER				
16	4	00366	MID ROLLER ASSY				
17	19	05102	WASHER, 1/2 SAE ZINC HARDENED				
18	6	05590	HH CAP SCREW, 1/2-13 NC X 4 G5 ZINC				
19	2	10907	ARM ROLLER				
20	4	10272	BUSHING, IGUS MFI-1214-12				
21	2	10908	SPACER				
22	1	05078	WASHER, 1/4 USS ZINC				
23	1	05307	GREASE ZERK, 1/4-28 UNF 90°				
24	2	11680	BUSHING, IGUS LFI-1416-16				
25	1	12354	SPROCKET SHIM				
26	1	10827	WHEEL HUB, 1-1/4" TAPERED, SOLID				
27	4	11447	HH CAP SCREW, 1/2-13 NC X 2-1/2 G5 ZN				
28	1	03290	SPACER WASHER, .532 X .750 X .125				
29	1	04029	MOTOR, PARKER TF 0240WE080				
30	1	11462-L	WEIGHT MOUNT, E-BRAKE				
31	2	11711	ROD WIPER, .875 X 1.25 X .188				
32	1	00458-SG	PARK BRAKE ASSEMBLY				
33	1	12369	HOSE, REAR PUMP RT / L. MOTOR FRONT				
34	1	12338	HOSE, REAR PUMP RT / L. MOTOR FRONT				
35	4	05566	HH CAP SCREW, 5/16-18 NC X 2 G5 ZINC				
36	2	04405	C-BALANCE CARTRIDGE, CB10-HV				
37	1	12329	C-BALANCE MANIFOLD, SDC10-3S				
38	4	05068	WASHER, 5/16 SAE ZINC				
39	2	04538	FITTING, 6801-6-6				
40	1	10876	IDLER ARM				
41	1	05021	SET SCREW, 1/4-20 UNC X 5/16, CUP POINT				
42	1	05250	CLEVIS PIN, 1/2 X 2-1/2 ZINC				
43	1	11156	TENSIONER END				
44	1	05039-7	CIRCLE COTTER, CC-7				
45	2	10707	NUT, JAM, 5/8-11 NC ZINC				
46	1	11170	TENSIONER STUD				



DETAIL C
SCALE 1 : 5

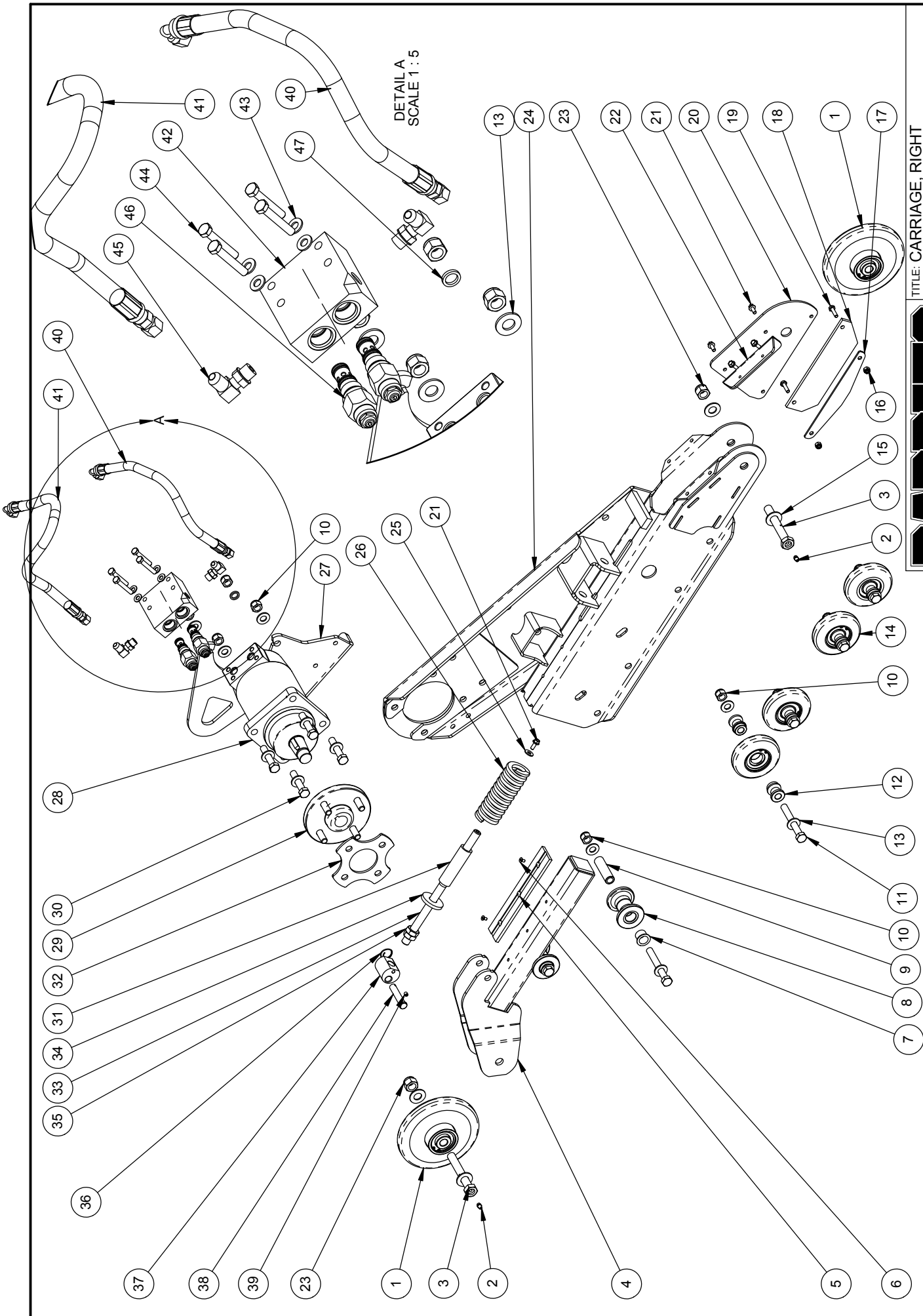
BARRETO

TITLE: LEFT CARRIAGE

PRODUCT LINE: STUMP CUTTER DATE: 12-12

SCALE: 1:10 DWG# 00333-SG

SHEET 2 OF 2



TITLE: CARRIAGE, RIGHT

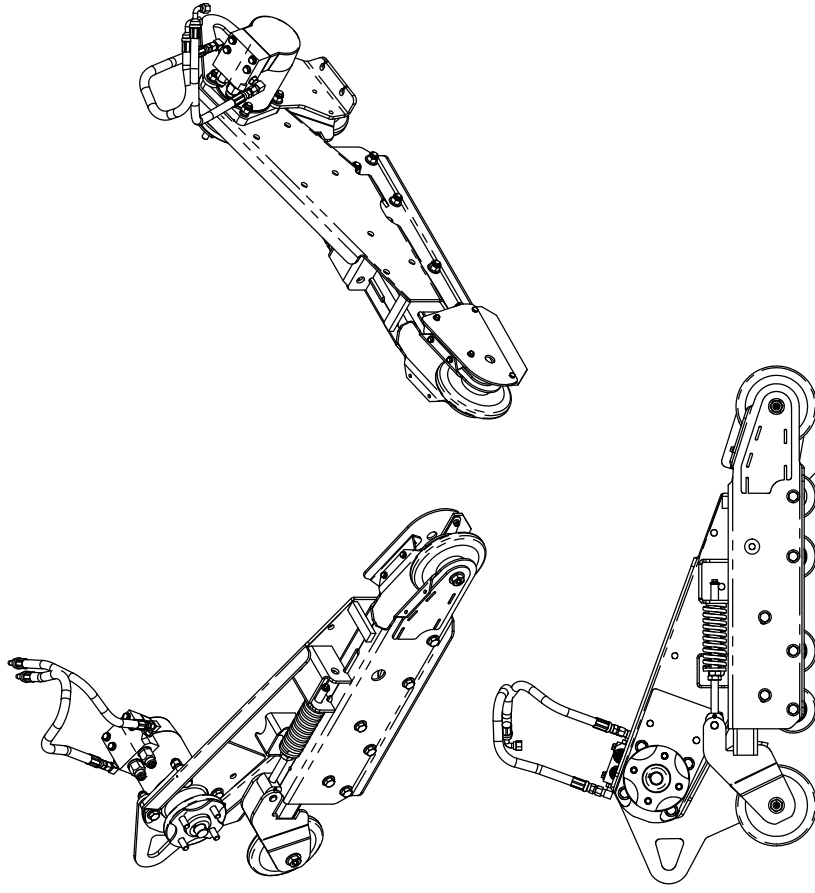
PRODUCT LINE: STUMP GRINDER DATE: 7-12

SCALE: 1:10

SHEET 1 OF 2 DWG# 00334-SG

BARRETO

ITEM NO.	QTY.	PART NO.	DESCRIPTION
1	2	100335	IDLER ASSEMBLY
2	2	05044	GREASE ZERK, 1/4-28 UNF
3	2	11490	ROLLER AXLE, 5/8 X 4-1/2"
4	1	10876	IDLER ARM
5	1	10910	ARM SLIDER
6	2	05084	HEX SOCKET FH CAP SCREW, #10-24 X 3/8
7	4	10272	BUSHING, IGUS MFI-1214-12
8	2	10907	ARM ROLLER
9	2	10908	SPACER
10	10	05098	NUT, NYLOCK, 1/2-13 NC ZINC
11	6	05590	HH CAP SCREW, 1/2-13 NC X 4 G5 ZINC
12	8	11144	ROLLER SPACER
13	19	05102	WASHER, 1/2 SAE ZINC HARDENED
14	4	00366	MID ROLLER ASSY
15	4	05272	WASHER, 5/8 SAE ZINC HARDENED
16	2	05096	NUT, NYLOCK, 1/4-20 NC ZINC
17	1	11474	FLAP BACKING
18	1	11475	FLAP
19	2	05237	HH CAP SCREW, 1/4-20 NC X 1 G5 ZINC
20	1	11247	ROLLER GUARD
21	5	05069	WHIZ LOCK, 1/4-20 NC X 5/8 ZINC
22	1	11251	ROLLER GUARD MOUNT
23	2	05099	NUT, NYLOCK, 5/8-11 NC ZINC
24	1	10849-R	RIGHT CARRIAGE
25	1	05078	WASHER, 1/4 USS ZINC
26	1	11674	SPRING, CENTURY D-1378
27	1	11462-R	WEIGHT MOUNT, RIGHT
28	1	04029	MOTOR, PARKER TF 0240WE080
29	1	10827	WHEEL HUB, 1-1/4" TAPERED, SOLID
30	4	11447	HH CAP SCREW, 1/2-13 NC X 2-1/2 G5 ZN
31	1	11470	SPRING GUIDE
32	1	12354	SPROCKET SHIM
33	1	11170	TENSIONER STUD
34	1	11157	WASHER, TENSION SPRING
35	2	10707	NUT, JAM, 5/8-11 NC ZINC
36	1	05039-7	CIRCLE COTTER, CC-7
37	1	11156	TENSIONER END
38	1	05250	CLEVIS PIN, 1/2 X 2-1/2 ZINC
39	1	05021	SET SCREW, 1/4-20 UNC X 5/16, CUP POINT
40	1	12367	HOSE, FRONT PUMP LEFT / RT MOTOR FRONT
41	1	12368	HOSE, FRONT PUMP RT / RT MOTOR REAR
42	1	12329	C-BALANCE MANIFOLD, SDC10-3S
43	4	05068	WASHER, 5/16 SAE ZINC
44	4	05566	HH CAP SCREW, 5/16-18 NC X 2 G5 ZINC
45	2	04538	FITTING, 6801-6-6
46	2	04405	C-BALANCE CARTRIDGE, CB10-HV
47	1	03290	SPACER WASHER, .532 X .750 X .125



BARRETO

TITLE: RIGHT CARRIAGE

PRODUCT LINE: STUMP GRINDER DATE: 7-12

SCALE: 1:16 DWG# 00334-SG

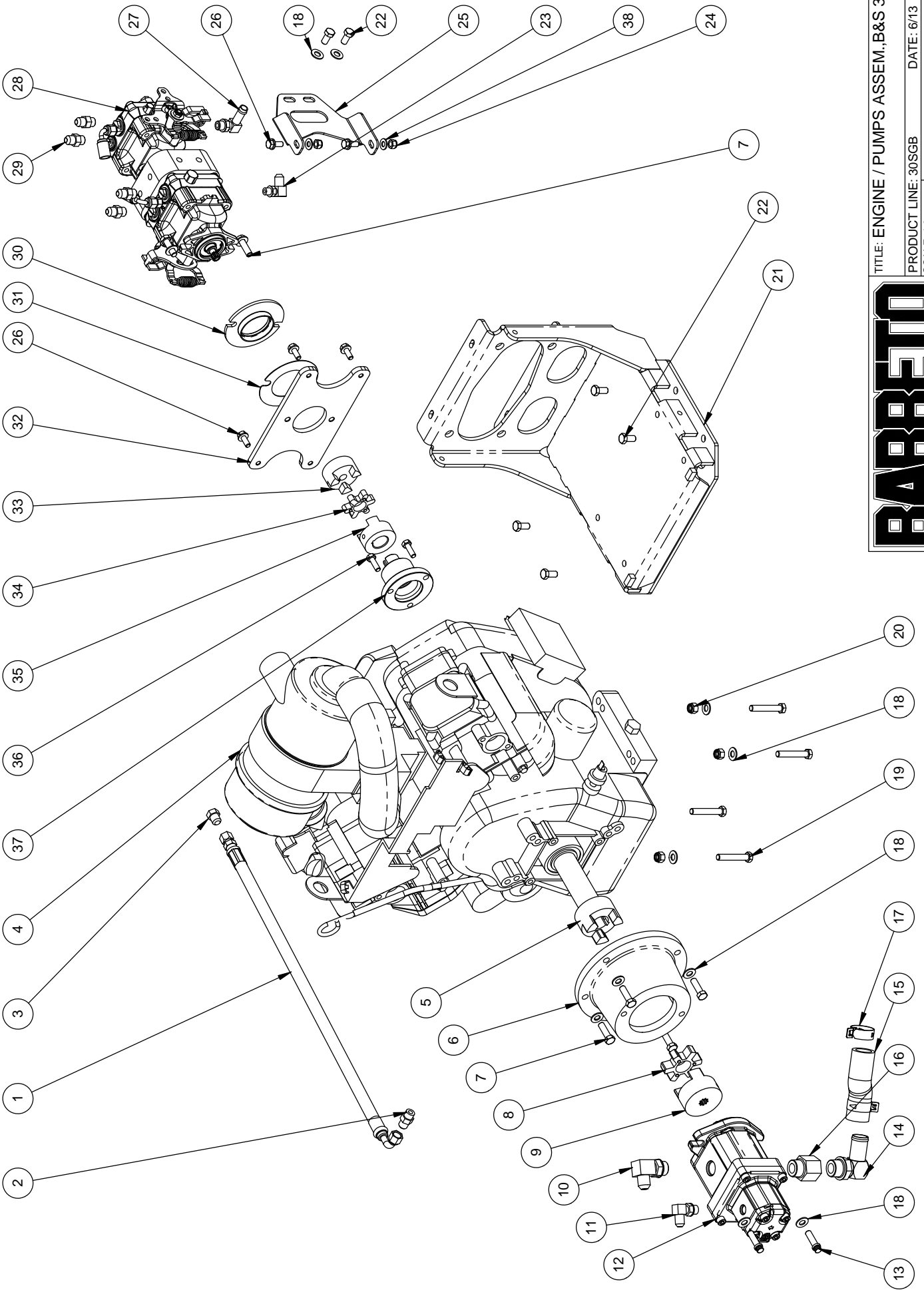
SHEET 2 OF 2

TITLE: ENGINE / PUMPS ASSEM., B&S 30

PRODUCT LINE: 30SGB DATE: 6/13

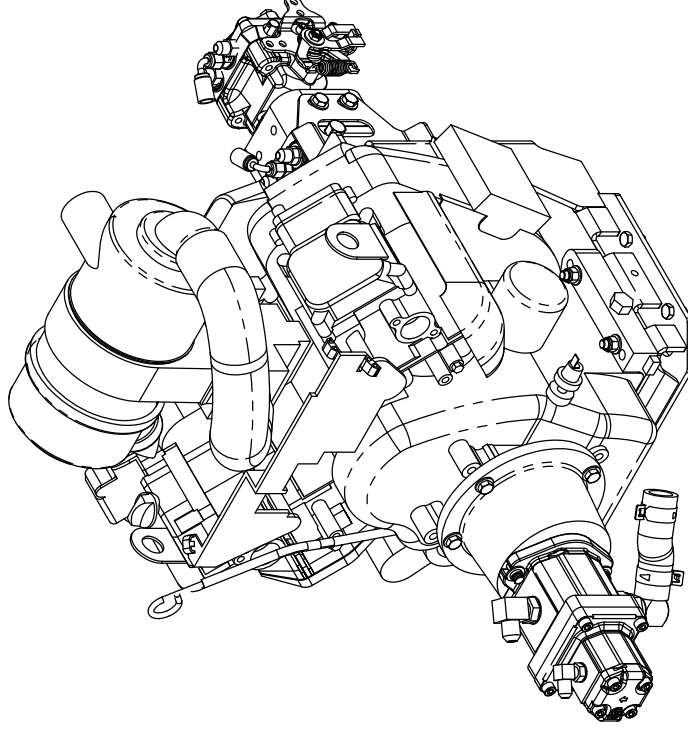
SCALE: 1:8 DWG#: 00390N2-BS30

BARRETO



SHEET 1 OF 2

ITEM NO.	QTY.	PART NO.	DESCRIPTION
1	1	12320	ENGINE DRAIN HOSE
2	1	04215	FITTING, 9067-6-14METRIC
3	1	04539	FITTING, 2408-6
4	1	B&S-30	ENGINE, BRIGGS 30
5	1	12454	JAW COUPLER, 1.125, L-099
6	1	02016	PUMP ADAPTER
7	6	05091	HH CAP SCREW, 3/8-16 NC X 1-1/4 G5 ZINC
8	1	12456	SPIDER, HYTREL, L-099
9	1	12455	JAW COUPLER, 9T SAE A, L-099
10	1	04211	FITTING, 6801-8-10
11	1	04538	FITTING, 6801-6-6
12	1	04021	TANDEM PUMP, PNT-14+1.2
13	2	05152	FLANGE SCREW 12 PT, 3/8-NC
14	1	04530	FITTING, 4601-16-12
15	1	10762-B	HOSE, SUMP, KOHLER 18
16	1	04233	FITTING, 6410-12-12
17	2	05225	CLAMP, 1-1/2" HOSE, CTB-36 ST
18	14	05101	WASHER, 3/8 SAE ZINC
19	4	05352	HH CAP SCREW, 3/8-16 NC X 2-1/4 G5 ZINC
20	4	05073	NUT, NYLOCK, 3/8-16 NC ZINC
21	1	12459B2	ENGINE MOUNT, BRIGGS
22	6	05057	HH CAP SCREW, 3/8-16 NC X 3/4 G5 ZINC
23	1	04526-01	FITTING, 6801-6-4
24	2	05273	NUT, NYLOCK, 5/16-18 NC ZINC
25	1	12376	PUMP SUPPORT
26	6	05131	HH FLANGE SCREW, 5/16-18 NC X 3/4 G8 ZINC
27	1	11070	FITTING, 4601-8-6
28	1	04031	PUMPS, TANDEM HYDROSTAT, PC, 6cc
29	4	10401	FITTING, 6400-6-6
30	1	12470 R1	PUMP PILOT
31	1	12470-S	PUMP SHIM
32	1	12469D	TAPPED PILOT
33	1	11289	JAW COUPLER, 1/2" BORE, L090
34	1	03022	SPIDER, RUBBER
35	1	03023	JAW COUPLER, 1" BORE L095
36	3	12380	HH CAP SCREW, M8-1.25 X 25MM ZINC
37	1	12285-BS	FRONT ENGINE SHAFT, BRIGGS
38	2	05068	WASHER, 5/16 SAE ZINC



BARRETO

TITLE: ENGINE & PUMPS ASSEMBLY
BRIGGS 31HP

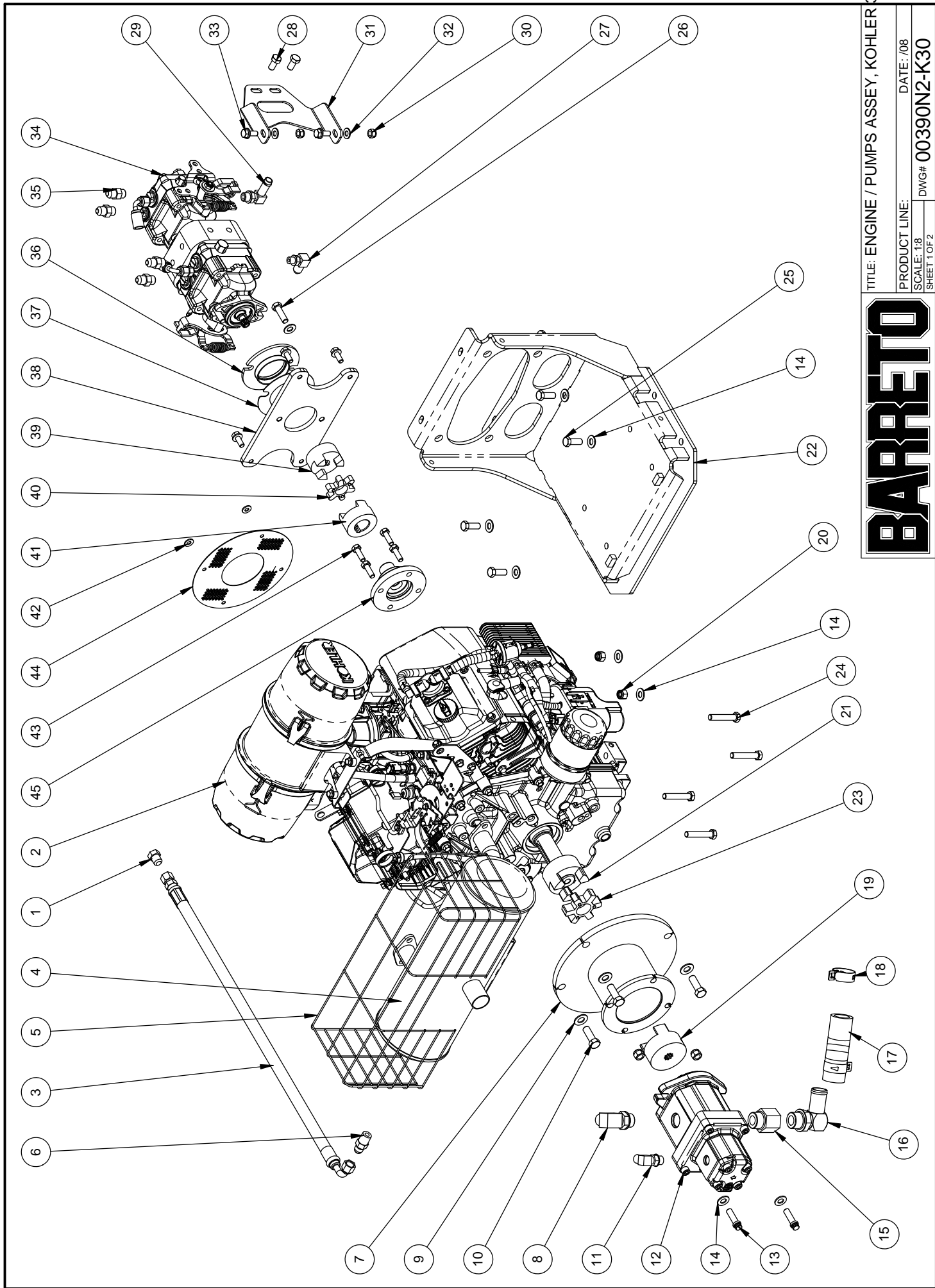
PRODUCT LINE: 30SGB

DATE: 6-13

SCALE: 1:8

DWG# 00390N2-BS30

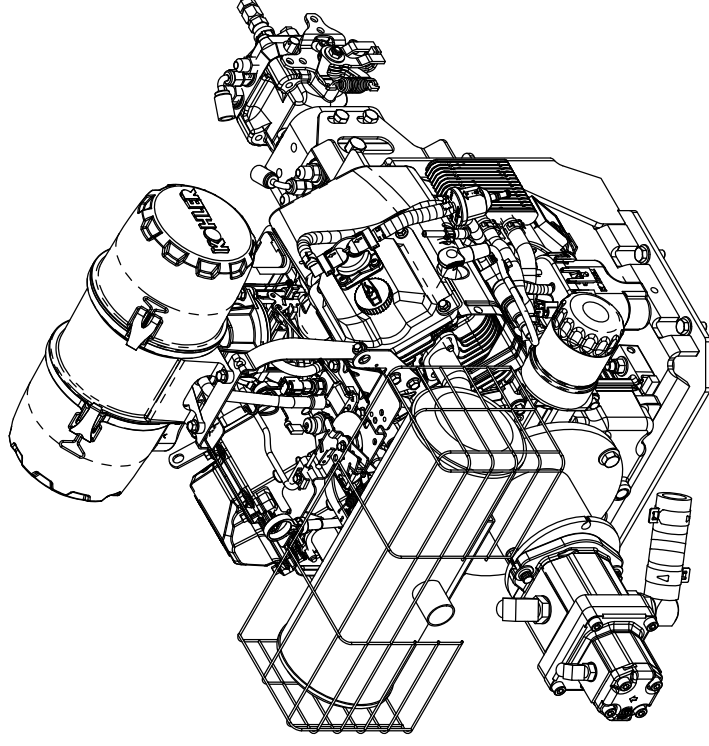
SHEET 2 OF 2



BARRETO

TITLE: ENGINE / PUMPS ASSEY, KOHLER 30
 PRODUCT LINE: DATE: /08
 SCALE: 1:8
 SHEET 1 OF 2 DWG# 00390N2-K30

ITEM NO.	QTY.	PART NO.	DESCRIPTION
1	1	04539	FITTING, 2408-6
2	1	07024EFI	ENGINE, KOHLER 29 EFI
3	1	12320	ENGINE DRAIN HOSE
4	1	07017-1	MUFFLER & MOUNT PARTS
5	1	07017-2	MUFFLER CAGE
6	1	10863	HYD ADAPTER 2404-6-6
7	1	12453	PUMP MOUNT
8	1	04211	FITTING, 6801-8-10
9	4	05149	WASHER, 7/16 SAE ZINC
10	4	05174	HH CAP SCREW, 7/16-14 NC X 1-1/4 G5 ZINC
11	1	04538	FITTING, 6801-6-6
12	1	04021	TANDEM PUMP, PNT-14+1.2
13	2	05152	FLANGE SCREW 12 PT, 3/8-NC
14	12	05101	WASHER, 3/8 SAE ZINC
15	1	04233	FITTING, 6410-12-12
16	1	04530	FITTING, 4601-16-12
17	1	12458	HOSE, SUMP, KOHLER 30
18	2	05225	CLAMP, 1-1/2" HOSE, CTB-36 ST
19	1	12455	JAW COUPLER, 9T SAE A, L-099
20	6	05073	NUT, NYLOCK, 3/8-16 NC ZINC
21	1	12454	JAW COUPLER, 1.125, L-099
22	1	12459K2	ENGINE MOUNT, KOHLER
23	1	12456	SPIDER, HYTREL, L-099
24	4	05262	HH CAP SCREW, 3/8-16 NC X 2 G5 ZINC
25	4	05059	HH CAP SCREW, 3/8-16 NC X 1 G5 ZINC
26	2	05091	HH CAP SCREW, 3/8-16 NC X 1-1/4 G5 ZINC
27	1	04526-01	FITTING, 6801-6-4
28	2	05057	HH CAP SCREW, 3/8-16 NC X 3/4 G5 ZINC
29	1	11070	FITTING, 4601-8-6
30	2	05273	NUT, NYLOCK, 5/16-18 NC ZINC
31	1	12376	PUMP SUPPORT
32	2	05068	WASHER, 5/16 SAE ZINC
33	6	05131	HH FLANGE SCREW, 5/16-18 NC X 3/4 G8 ZINC
34	1	04031	PUMPS, TANDEM HYDROSTAT, PC, 6cc
35	4	10401	FITTING, 6400-6-6
36	1	12470 R1	PUMP PILOT
37	1	12470-S	PUMP SHIM
38	1	12469D	TAPPED PILOT
39	1	11289	JAW COUPLER, 1/2" BORE, L090
40	1	03022	SPIDER, RUBBER
41	1	03023	JAW COUPLER, 1" BORE L095
42	4	05081	WASHER, 1/4 SAE ZINC
43	4	12380	HH CAP SCREW, M8-1.25 X 25MM ZINC
44	1	12474	FAN SCREEN
45	1	12285	FRONT ENGINE SHAFT



BARRETO

TITLE: ENGINE & PUMPS, KOHLER 29

PRODUCT LINE: SG30K

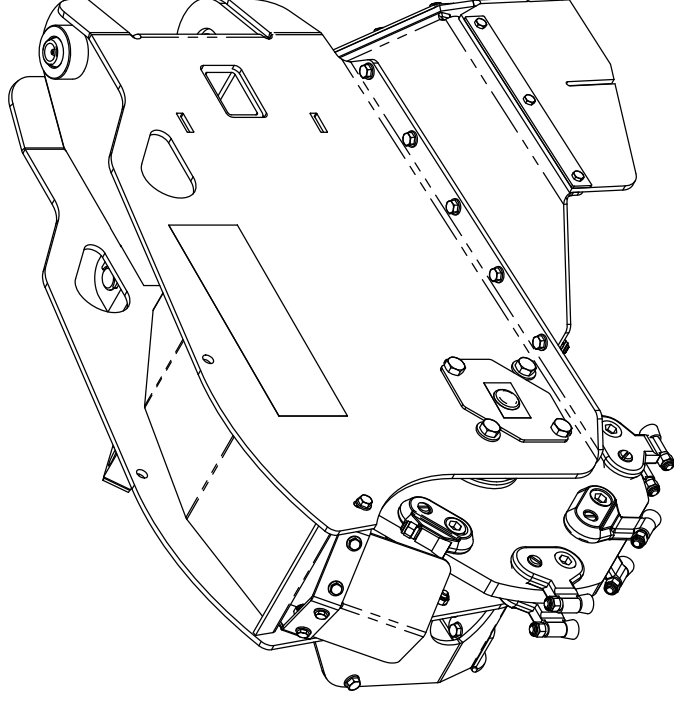
DATE: 6-13

SCALE: 1:8

DWG# 00390N2-K30

SHEET 2 OF 2

ITEM NO.	QTY.	PART NO.	DESCRIPTION
1	10	05237	HH CAP SCREW, 1/4-20 NC X 1 G5 ZINC
2	4	05125	HH CAP SCREW, 1/4-20 NC X 1-1/4 G5 ZINC
3	1	12275	RIGHT FLAP STRAP
4	1	12274	RIGHT FLAP
5	16	05567	HH FLANGE SCREW, 5/16-18 NC X 1" G8 ZINC
6	2	12270	MOTOR GUARD
7	4	05540	WASHER, 3/8 FENDER ZINC
8	1	12272	SKIRT, RIGHT
9	1	04218	FITTING, 6802-4-4
10	2	05068	WASHER, 5/16 SAE ZINC
11	19	05273	NUT, NYLOCK, 5/16-18 NC ZINC
12	2	05353	SH CAP SCREW, 7/16-20 NF X 1-3/4 ZINC
13	1	04030	GEAR MOTOR, 41cc
14	2	11038	FITTING, 6801-8-12
15	1	05569	SH CAP SCREW, 1/2-13 NC X 1 ZINC
16	1	05585	SH CAP SCREW, 1/2-13 NC X 1-1/4 ZINC
17	2	05067	HH CAP SCREW, 1/2-13 NC X 1 G5 ZINC
18	6	05102	WASHER, 1/2 SAE ZINC HARDENED
19	1	00492	CUT WHEEL ASSY
20	4	05300-01	HH CAP SCREW, 1/2-13 NC X 1-1/2 G5 ZINC
21	4	05046	NUT, GRIPCO, 1/2-13 NC G5 ZINC
22	1	12267	BEARING COVER
23	1	12252	CUTTER HEAD
24	1	12273	LEFT FLAP
25	1	12276	LEFT FLAP STRAP
26	1	12277	REAR FLAP STRAP
27	18	05096	NUT, NYLOCK, 1/4-20 NC ZINC
28	1	12271	LEFT SKIRT
29	1	12258	SWING PIN
30	1	05256	GREASE ZERK, 1/8 NPT
31	1	05065	HH CAP SCREW, 5/16-18 NC X 2-3/4 G5 ZINC
32	3	05131	HH FLANGE SCREW, 5/16-18 NC X 3/4 G8 ZINC
33	1	12261	ROD PIN
34	2	05138	HH FLANGE SCREW, 5/16-18 NC X 1-1/4 G8 ZINC
35	1	12269	GUARD BRACE
36	2	03040-02	DECAL, "BARRETO", 3-1/2 X 11-1/4
37	1	03040-04	DECAL, "GREASE DAILY"
38	1	12477	FRONT FLAP MOUNT
39	1	12478	FRONT FLAP
40	8	05081	WASHER, 1/4 SAE ZINC
41	4	05535	HH CAP SCREW, 1/4-20 NC X 7/8 G5 ZINC
42	2	12479	FRONT FLAP KEEPER
43	1	12481	REAR FLAP MOUNT
44	1	12480	REAR FLAP
45	1	12482	FLAP KEEPER
46	1	11656	TUBE CLAMP



BARRETO

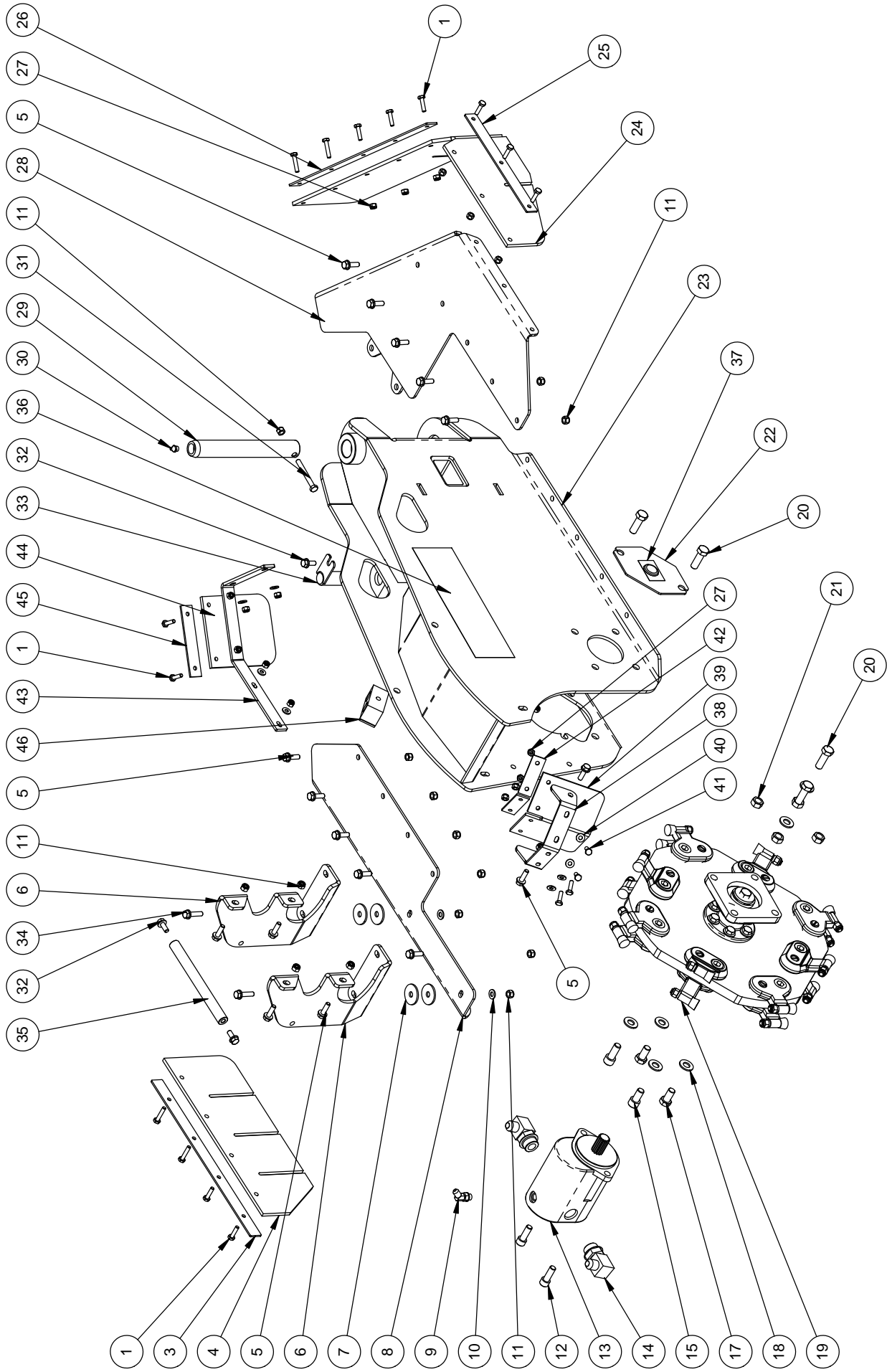
TITLE: CUTTER HEAD ASSY

PRODUCT LINE: STUMP GRINDER DATE: 7-12

SCALE: 1:10

SHEET 1 OF 2

DWG# 00490

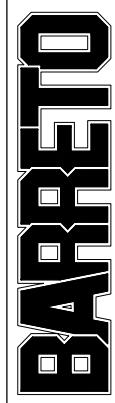


TITLE: CUTTER HEAD ASSEMBLY

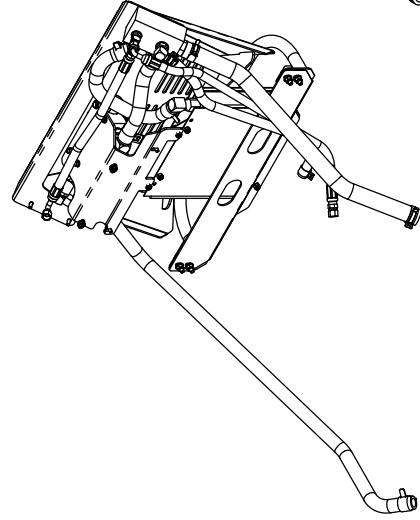
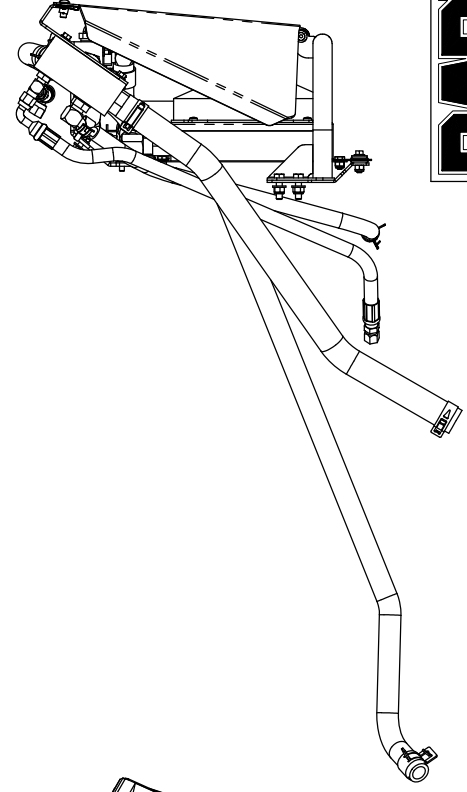
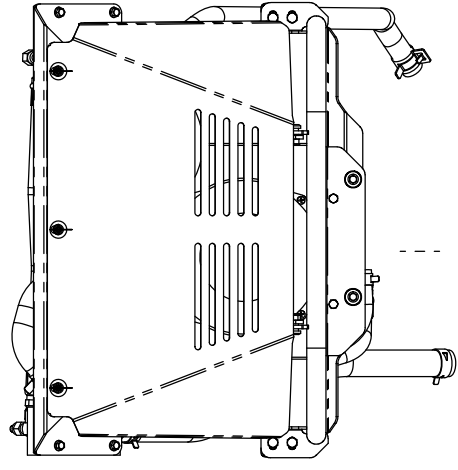
PRODUCT LINE: STUMP CUTTER DATE: 12-12

SCALE: 1:16 DWG#: 00490

SHEET 2 OF 2



ITEM NO.	QTY.	PART NO.	DESCRIPTION	ITEM NO.	QTY.	PART NO.	DESCRIPTION
1	6	05557	HH CAP SCREW, 1/4-20 NC X 1/2 G5 ZINC	29	1	12335	HOSE, THERMO / JUNCTION, 3/4
2	1	12316	COOLER / FILTER MOUNT	30	1	12370	PUMP FEED, LEFT
3	2	04227	FITTING, 4501-12-8	31	2	12131	CLAMP, 1/2" HOSE, CTB-22
4	2	05237	HH CAP SCREW, 1/4-20 NC X 1 G5 ZINC	32	1	12356	RETURN HOSE, 1"
5	1	10404	FITTING, 6801-6-8	33	4	05193	RUBBER GROMMET, .62 X .38
6	1	04202-M	FITTING, 4601-12-12, TOP PORTED #8	34	4	11741	SPACER
7	6	05069	WHIZ LOCK, 1/4-20 NC X 5/8 ZINC	35	4	05567	HH FLANGE SCREW, 5/16-18 NC X 1" G8 ZINC
8	1	12357	HOSE, GRINDER VALVE / FILTER 3/4	36	12	05096	NUT, NYLOCK, 1/4-20 NC ZINC
9	1	04212-OR	FILTER HEAD, #12 O-RING, NO TAP	37	4	05068	WASHER, 5/16 SAE ZINC
10	1	03952	FILTER, HYDRAULIC OIL, WITH BY-PASS	38	1	12315	COOLER BRACKET
11	1	11546	THERMO ADAPTER	39	6	05273	NUT, NYLOCK, 5/16-18 NC ZINC
12	1	03225	O-RING, 2-116N70, 15-16 OD X 3/32 SECTION	40	1	12340	HOSE, CYLINDER VALVE RETURN
13	2	05560	HH CAP SCREW, 1/4-20 NC X 2-1/4 G5 ZINC	41	4	05535	WHIZ LOCK, 1/4-20 NC X 7/8 ZINC
14	10	05081	WASHER, 1/4 SAE ZINC	42	4	05101	WASHER, 3/8 SAE ZINC
15	1	11545	THERMOSTAT VALVE BODY	43	1	11533	OIL COOLER, B&M 70266
16	1	11544	THERMOSTAT VALVE, CT 1731	44	1	04033	FAN, 7.5" PULLER
17	1	04523	FITTING, 4601-12-10	45	1	12460	FAN SHROUD
18	8	05008	CLAMP, 1" HOSE, CTB-29	46	1	12339	HOSE, HYDROSTAT RETURN
19	1	12334	HOSE, FILTER / COOLER, 3/4	47	4	05190	NUT, NYLOCK, 10-24 NC ZINC
20	1	12336	HOSE, COOLER / JUNCTION, 3/4	48	4	05191	SCREW #10-24 X 1/2 PPH
21	1	10362	FITTING, 4603-12-12	49	1	12461	COVER MOUNT
22	1	04228	FITTING, 6804-6-6-6	50	1	12463	TOP MOUNT
23	1	12337	RETURN JUNCTION	51	1	12462	BACK COVER
24	1	04572	FITTING, 4601-8-8	52	2	05111	BH SHOULDER SCREW, 3/8 X 3/8
25	1	04217	FITTING, 4604-16-12	53	3	05359	CLIP NUT, 5/16-18
26	1	04219	FITTING, 4604-12-12	54	3	05510	BUTTON HD SOCKET CAP SCR, 5/16-18 X 3/4
27	2	05225	CLAMP, 1-1/2" HOSE, CTB-36 ST	55	1	12464	TEMP SWITCH, ACT B4130FD607-P100
28	1	04202	FITTING, 4601-12-12				



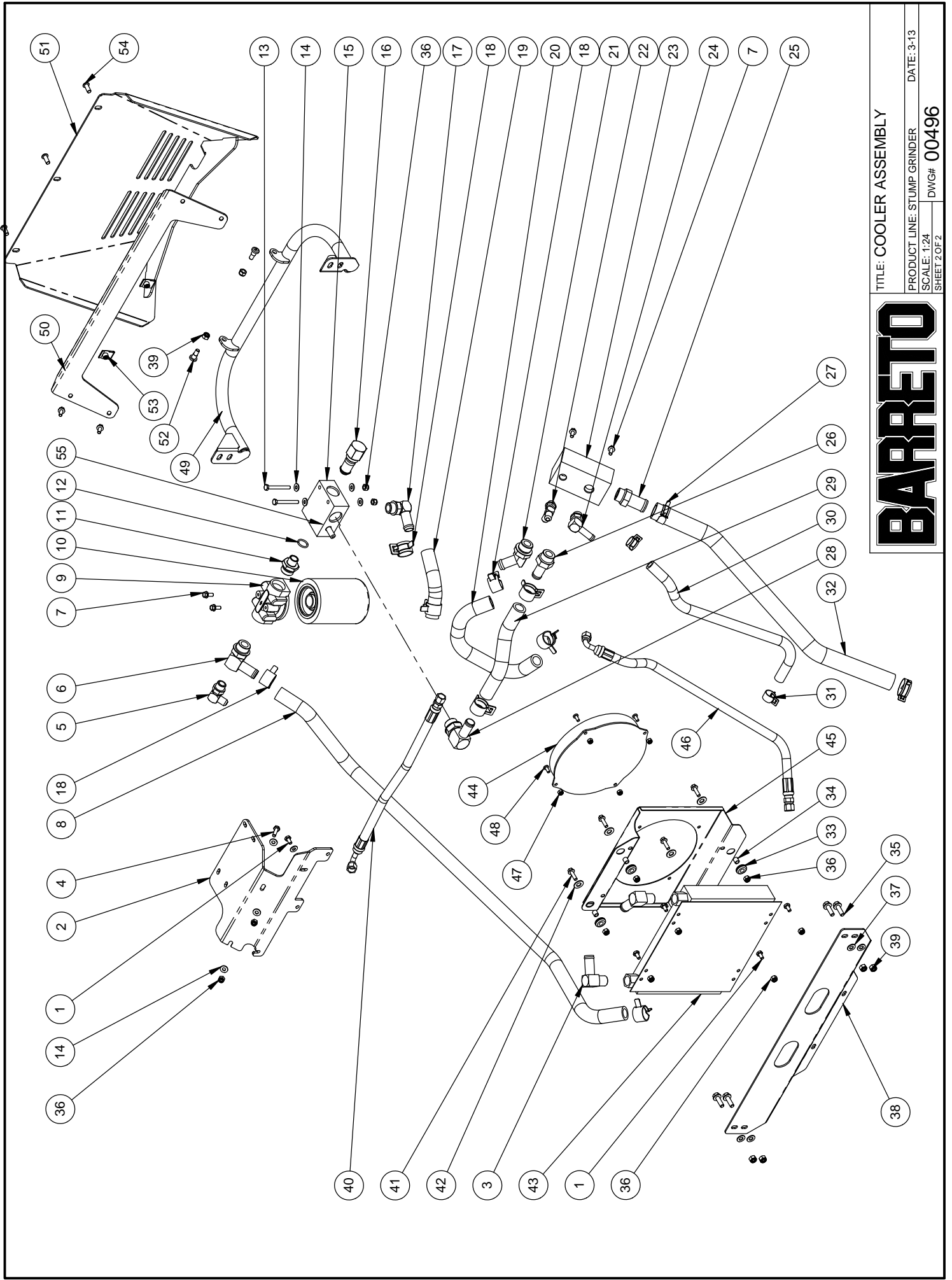
TITLE: COOLER ASSEMBLY

BARRETO

PRODUCT LINE: STUMP CUTTER DATE: 2-13

SCALE: 1:10
SHEET 1 OF 2

DWG# 00496



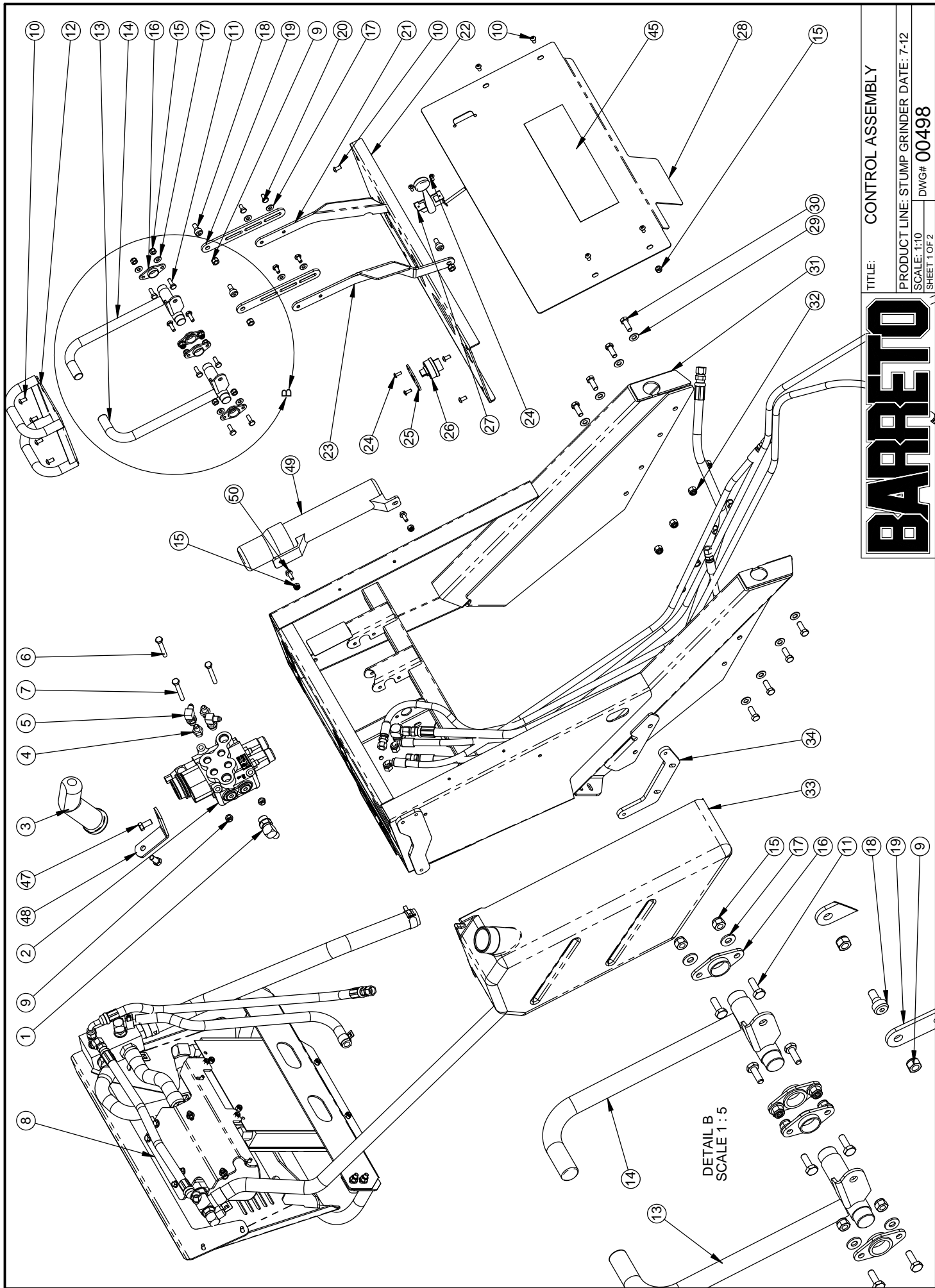
TITLE: COOLER ASSEMBLY

PRODUCT LINE: STUMP GRINDER DATE: 3-13

SCALE: 1:24 DWG#: 00496

SHEET 2 OF 2

BARRETO



TITLE: CONTROL ASSEMBLY

PRODUCT LINE: STUMP GRINDER DATE: 7-12

SCALE: 1:10

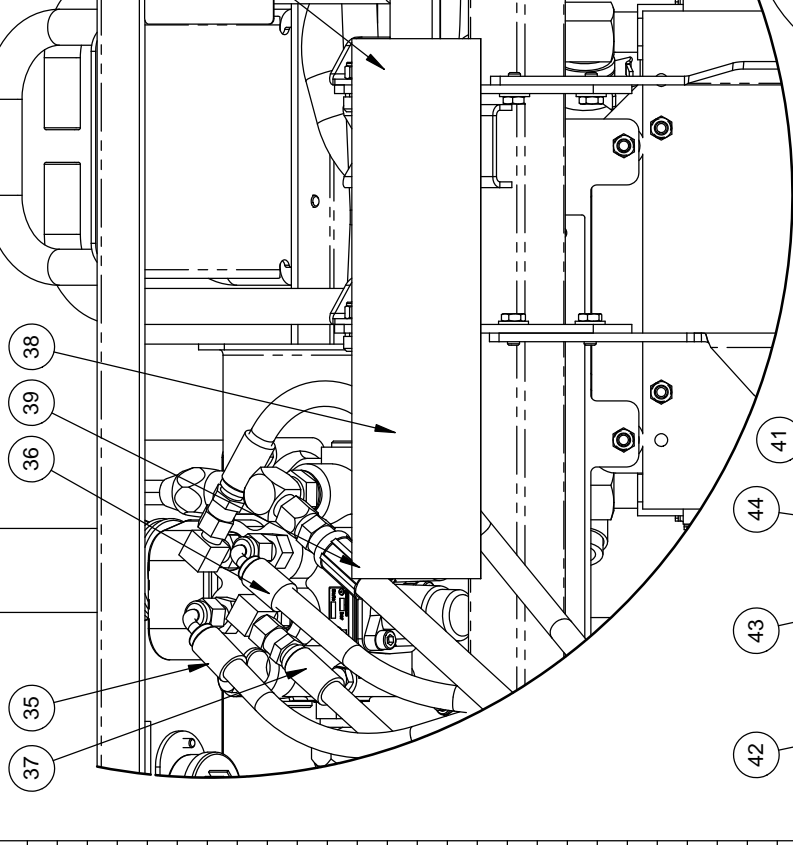
SHEET 1 OF 2

DWG# 00498

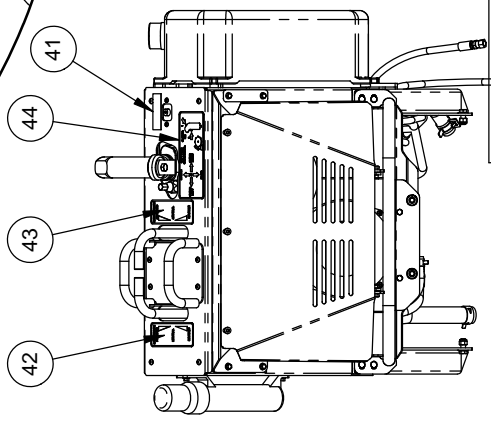
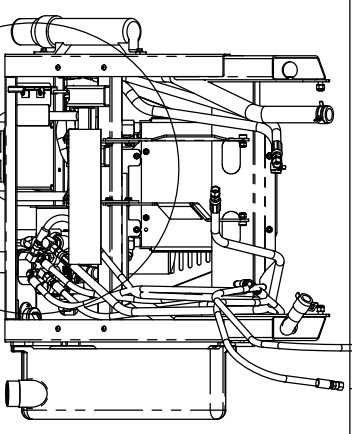
BARRETO

DETAIL B
SCALE 1:5

ITEM NO.	QTY.	PART NO.	DESCRIPTION	ITEM NO.	QTY.	PART NO.	DESCRIPTION
1	2	10404	FITTING, 6801-6-8	48	1	12386B	JOYSTICK MOUNT
2	1	04022	VALVE, ROQUJET 6202N11XA41DD	49	1	12090	INSTRUCTION CANISTER
3	1	12379	JOYSTICK HANDLE	50	2	05069	WHIZ LOCK, 1/4-20 NC X 5/8 ZINC
4	2	04561	FITTING, 6400-4-6	37			
5	2	04527-01	FITTING, 6801-4-6	38			
6	1	05175	HH CAP SCREW, 5/16-18 NC X 2-1/4 G5 ZINC	39			
7	2	05568	HH CAP SCREW, 5/16-18 NC X 2-1/2 G5 ZINC	40			
8	1	00496	COOLER ASSEMBLY	41			
9	7	05273	NUT, NYLOCK, 5/16-18 NC ZINC	42			
10	12	05507	BUTTON HD SOCKET CAP SCR, 1/4-20 X 1/2	43			
11	8	05554	HH CAP SCREW, 1/4-20 NC X 3/4 G5 ZINC	44			
12	1	12351	HAND REST	45			
13	1	12312	SPEED LEVER, RIGHT	46			
14	1	12311	SPEED LEVER, LEFT	47			
15	12	05096	NUT, NYLOCK, 1/4-20 NC ZINC				
16	4	12381	IGUS FLANGE JFL-20				
17	12	05081	WASHER, 1/4 SAE ZINC				
18	4	05351	SH SHOULDER SCREW, 3/8 X 1/4				
19	2	12330	SPEED LINK, TOP				
20	4	05557	HH CAP SCREW, 1/4-20 NC X 1/2 G5 ZINC				
21	1	12331	SPEED LINK, LOWER				
22	1	12332	CONTROL PANEL				
23	1	12457	SPEED LINK, LOWER RT				
24	4	05233	SCREW #10-24 X 1/2 PPH				
25	1	11627K	IGNITION SWITCH PLATE				
26	1	IGN-SW-KOHLER	IGNITION SWITCH, KOHLER				
27	1	03515	THROTTLE CABLE				
28	1	12314	FRONT COVER				
29	8	05101	WASHER, 3/8 SAE ZINC				
30	8	05059	HH CAP SCREW, 3/8-16 NC X 1 G5 ZINC				
31	1	12288	CONTROL TOWER				
32	8	05073	NUT, NYLOCK, 3/8-16 NC ZINC				
33	1	03263N	FUEL TANK, "BARRETO"				
34	1	11552	TANK MOUNT				
35	1	12374	HOSE, RT-A / LIFT ROD				
36	1	12372	HOSE, LEFT B / SWING ROD				
37	1	12375	HOSE, RT-B / LIFT END				
38	1	12373	HOSE, LEFT A / SWING END				
39	1	12371	HOSE, PUMP / CYLINDER VALVE				
40	1	04440-05	DECAL, ENGINE THROTTLE				
41	1	03341-07	DECAL, "IGNITION OFF/ON"				
42	1	04451-01	DECAL, LEFT TRACK				
43	1	04451-02	DECAL, RIGHT TRACK				
44	1	04451-03	DECAL, CUTTER CONTROL				
45	1	03040-02	DECAL, "BARRETO", 3-1/2 X 11-1/4				
46	1	12465	COVER SPACER				
47	2	12466	HH CAP SCREW, M8-1.25 X 25MM ZINC				



DETAIL A
SCALE 1 : 4



BARRETO

TITLE: CONTROL ASSEMBLY

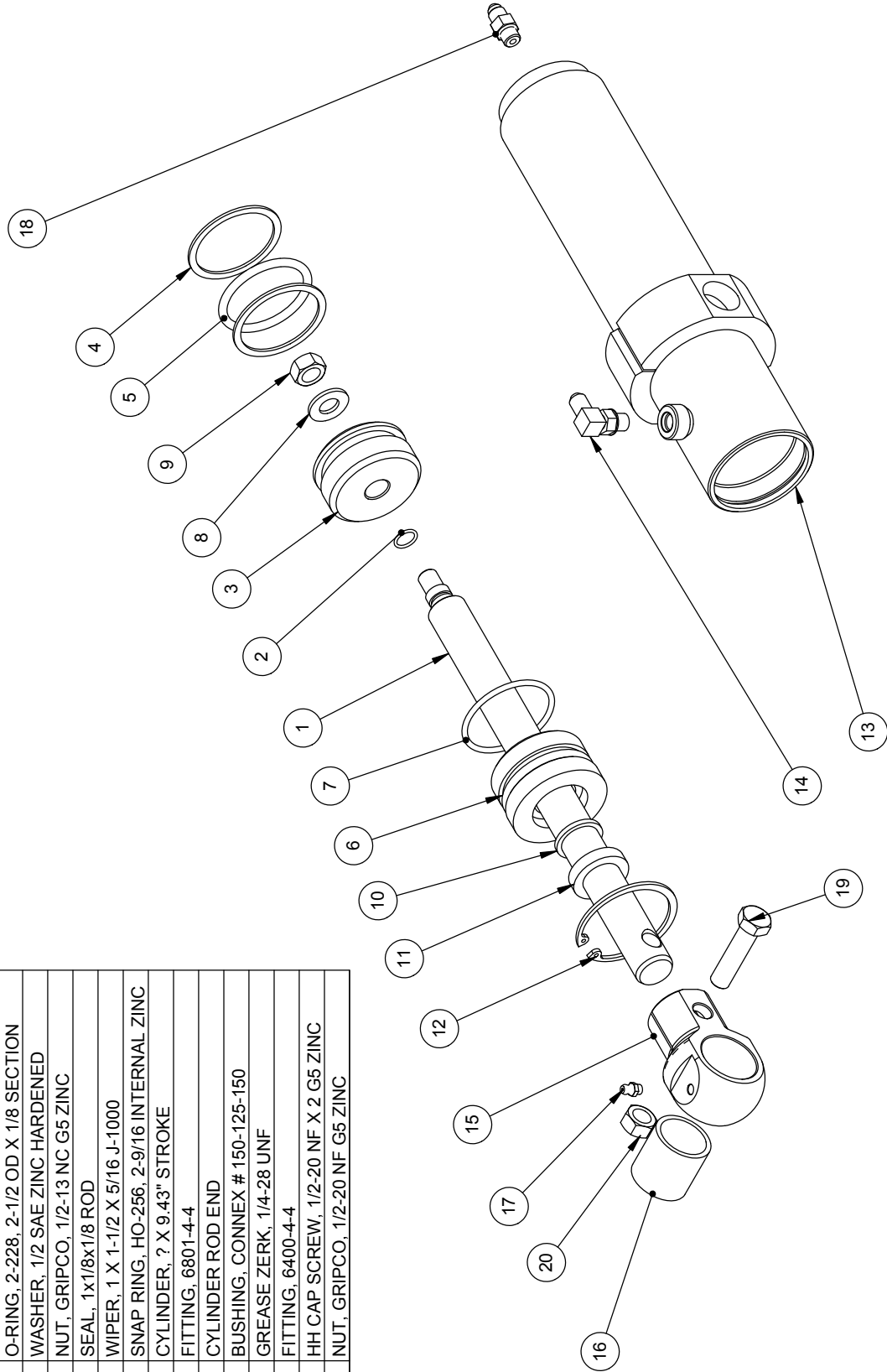
PRODUCT LINE: STUMP GRINDER DATE: 7-12

SCALE: 1:16

DWG# 00498

SHEET 2 OF 2

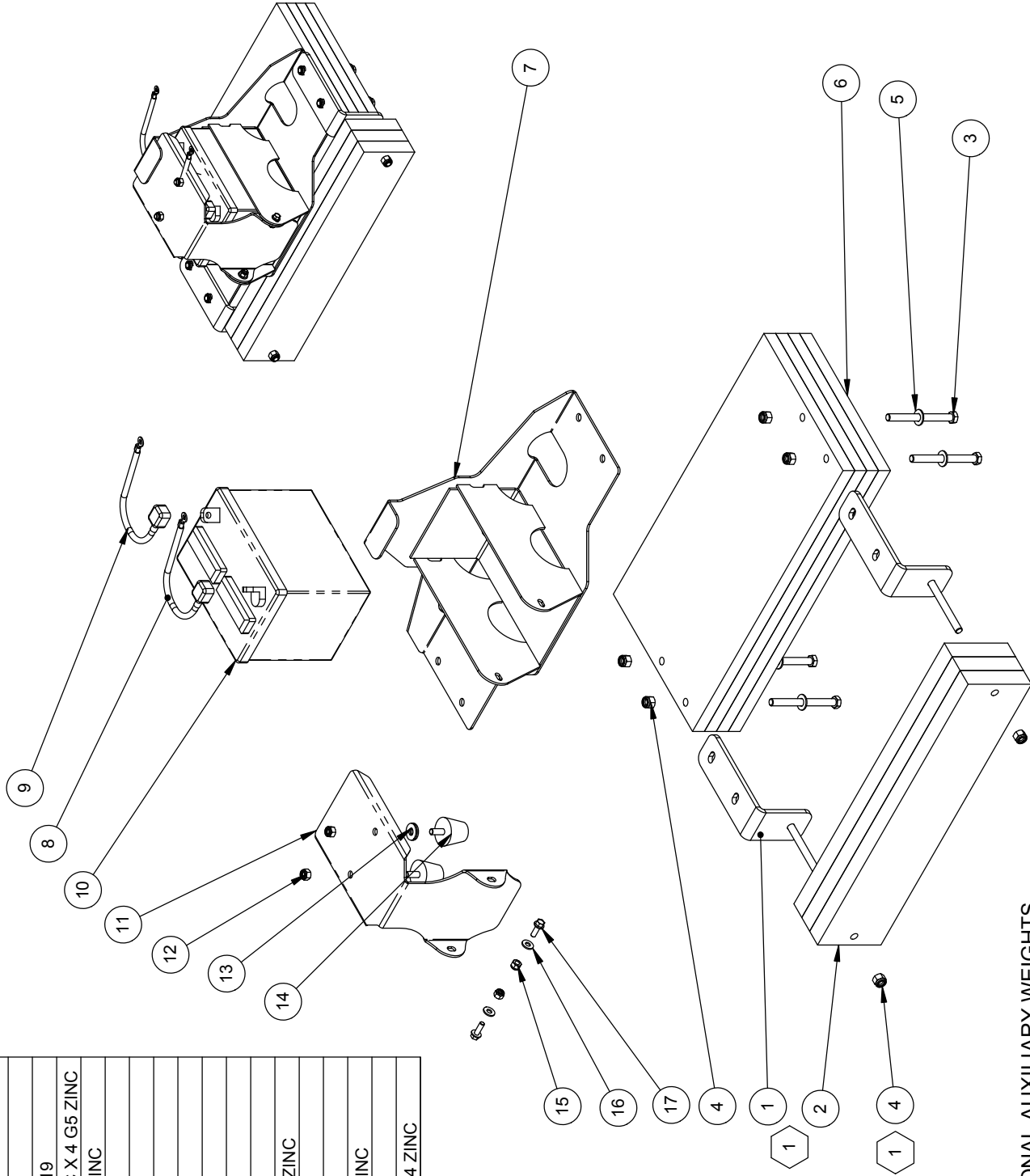
REF	QTY.	PART NO.	DESCRIPTION
1	1	02701	CYLINDER ROD
2	1	03232	O-RING, 2-014, 5/8 OD X 1/16 SECTION
3	1	02612	PISTON
4	2	03237	BACK-UP RING, 8-330N90 PARBAK
5	1	03236	O-RING, 2-330, 2-1/2 OD X 3/16 SECTION
6	1	02613	CYLINDER END
7	1	03234	O-RING, 2-228, 2-1/2 OD X 1/8 SECTION
8	1	05102	WASHER, 1/2 SAE ZINC HARDENED
9	1	05046	NUT, GRIPCO, 1/2-13 NC G5 ZINC
10	1	03259	SEAL, 1x1/8x1/8 ROD
11	1	03255	WIPER, 1 X 1-1/2 X 5/16 J-1000
12	1	05211	SNAP RING, HO-256, 2-9/16 INTERNAL ZINC
13	1	10704	CYLINDER, ? X 9.43" STROKE
14	1	04555	FITTING, 6801-4-4
15	1	02616	CYLINDER ROD END
16	1	03502	BUSHING, CONNEX # 150-125-150
17	1	05044	GREASE ZERK, 1/4-28 UNF
18	1	04560	FITTING, 6400-4-4
19	1	05251	HH CAP SCREW, 1/2-20 NF X 2 G5 ZINC
20	1	05076	NUT, GRIPCO, 1/2-20 NF G5 ZINC



BARRETO

TITLE: CYLINDER ASSEMBLY
 2.5 X 9.43" STROKE
 PRODUCT LINE: TRACK TRENCHER
 SCALE: 1:4
 SHEET 1 OF 1
 DATE: 11/13/06
 DWG# 00303

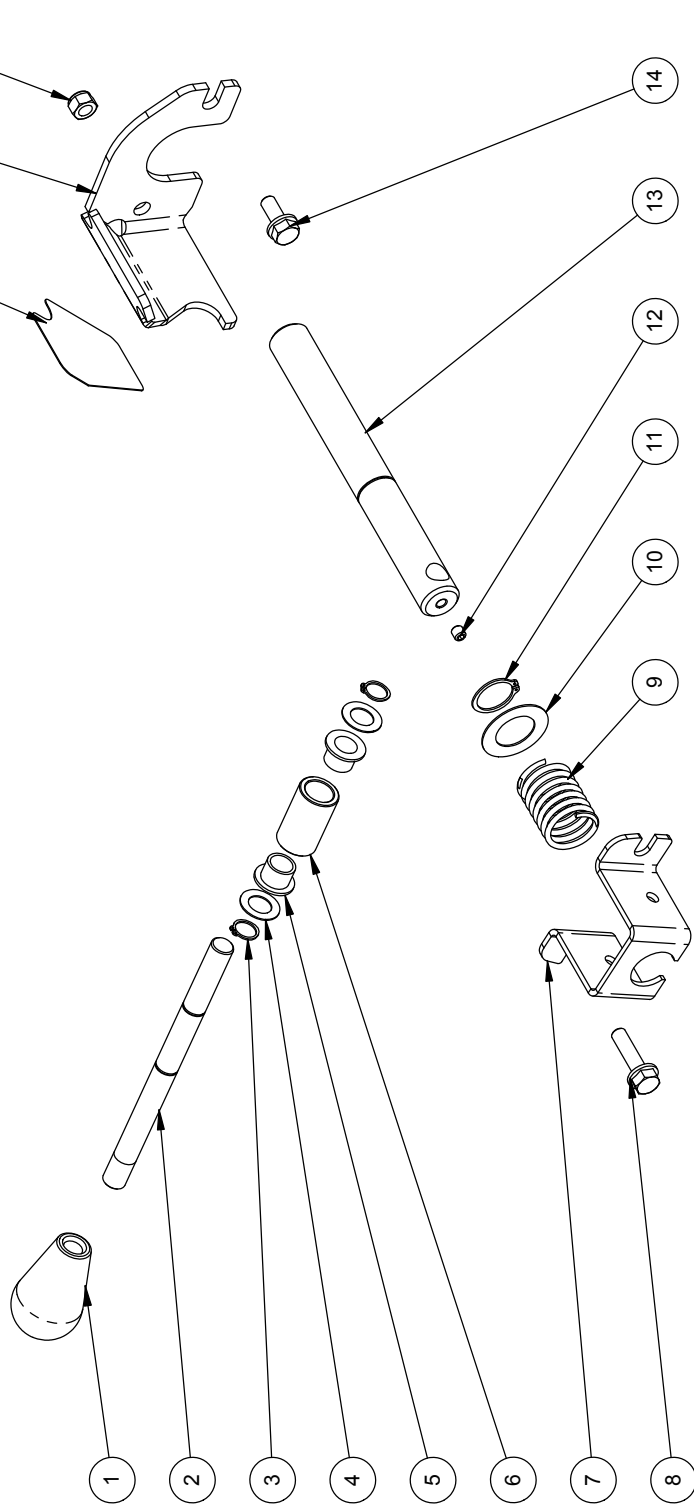
REF	QTY.	PART NO.	DESCRIPTION
1	2	11457	WEIGHT HANGER
2	3	11456	AUXILIARY WEIGHT, 1X4X19
3	4	10757	HH CAP SCREW, 3/8-16 NC X 4 G5 ZINC
4	6	05073	NUT, NYLOCK, 3/8-16 NC ZINC
5	4	05101	WASHER, 3/8 SAE ZINC
6	4	11634	WEIGHT, 3/4 X 10
7	1	11539	BATTERY MOUNT
8	1	11321	BATTERY CABLE, POS
9	1	11322	BATTERY CABLE, NEG
10	1	11537	BATTERY, GT-X U1 300
11	1	11542	BATTERY CAP, W/ PAD
12	2	05273	NUT, NYLOCK, 5/16-18 NC ZINC
13	4	10615	WASHER, 5/16 USS ZINC
14	2	11258	RUBBER BUMPER
15	2	05096	NUT, NYLOCK, 1/4-20 NC ZINC
16	2	05081	WASHER, 1/4 SAE ZINC
17	2	05049	WHIZ LOCK, 1/4-20 NC X 3/4 ZINC



1 PARTS INCLUDED WITH OPTIONAL AUXILIARY WEIGHTS
 PART NUMBER A1400 - USED WITH 42" & 48" BOOMS

BARRETO

ITEM NO.	QTY.	PART NO.	DESCRIPTION
1	1	03508	SPEED KNOB
2	1	11709	PARK LEVER
3	2	05506	SNAP RING, 1/2" EXTERNAL, SH-50
4	2	10113	THRUST WASHER, .518 X .873 X .030
5	2	03501	BUSHING, IGUS MFI-0810-08
6	1	11708	ROLLER
7	1	11707	SPRING BASE
8	1	05138	HH FLANGE SCREW, 5/16-18 NC X 1-1/4 G8 ZINC
9	1	03354	SPRING, CENTURY 1539
10	1	03274	THRUST WASHER, .891 X 1.502 X .035, HARD
11	1	05602	SNAP RING, SH-87-P, 7/8" EXTERNAL
12	1	05143	SET SCREW .25 NF X .25 CUP
13	1	11705	BRAKE PIN
14	1	05131	HH FLANGE SCREW, 5/16-18 NC X 3/4 G8 ZINC
15	1	12355	CAM PLATE
16	1	05273	NUT, NYLOCK, 5/16-18 NC ZINC
17	1	04450-16	BRAKE DECAL



BARRETO

TITLE: PARK BRAKE ASSEMBLY

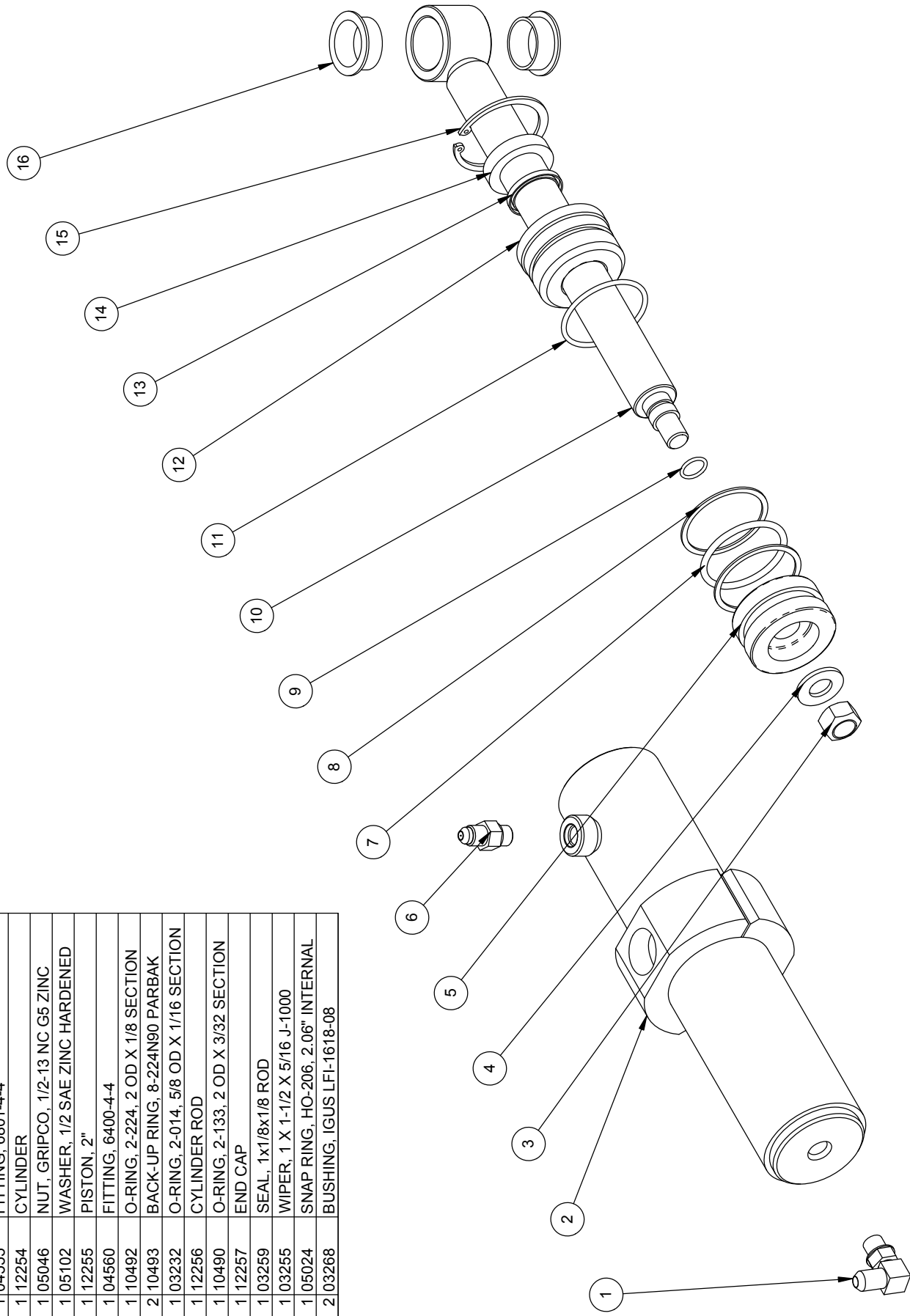
PRODUCT LINE: STUMP GRINDER DATE: 7-12

SCALE: 1:4

SHEET 1 OF 1

DWG# 00458-SG

ITEM NO.	QTY.	PART NO.	DESCRIPTION
1	1	04555	FITTING, 6801-4-4
2	1	12254	CYLINDER
3	1	05046	NUT, GRIPCO, 1/2-13 NC G5 ZINC
4	1	05102	WASHER, 1/2 SAE ZINC HARDENED
5	1	12255	PISTON, 2"
6	1	04560	FITTING, 6400-4-4
7	1	10492	O-RING, 2-224, 2 OD X 1/8 SECTION
8	2	10493	BACK-UP RING, 8-224N90 PARBAK
9	1	03232	O-RING, 2-014, 5/8 OD X 1/16 SECTION
10	1	12256	CYLINDER ROD
11	1	10490	O-RING, 2-133, 2 OD X 3/32 SECTION
12	1	12257	END CAP
13	1	03259	SEAL, 1x1/8x1/8 ROD
14	1	03255	WIPER, 1 X 1-1/2 X 5/16 J-1000
15	1	05024	SNAP RING, HO-206, 2.06" INTERNAL
16	2	03268	BUSHING, IGUS LFI-1618-08



TITLE: CYLINDER, 2" X 7.8

PRODUCT LINE: STUMP GRINDER DATE: 7-12

SCALE: 1:3

SHEET 1 OF 1

DWG# 00491

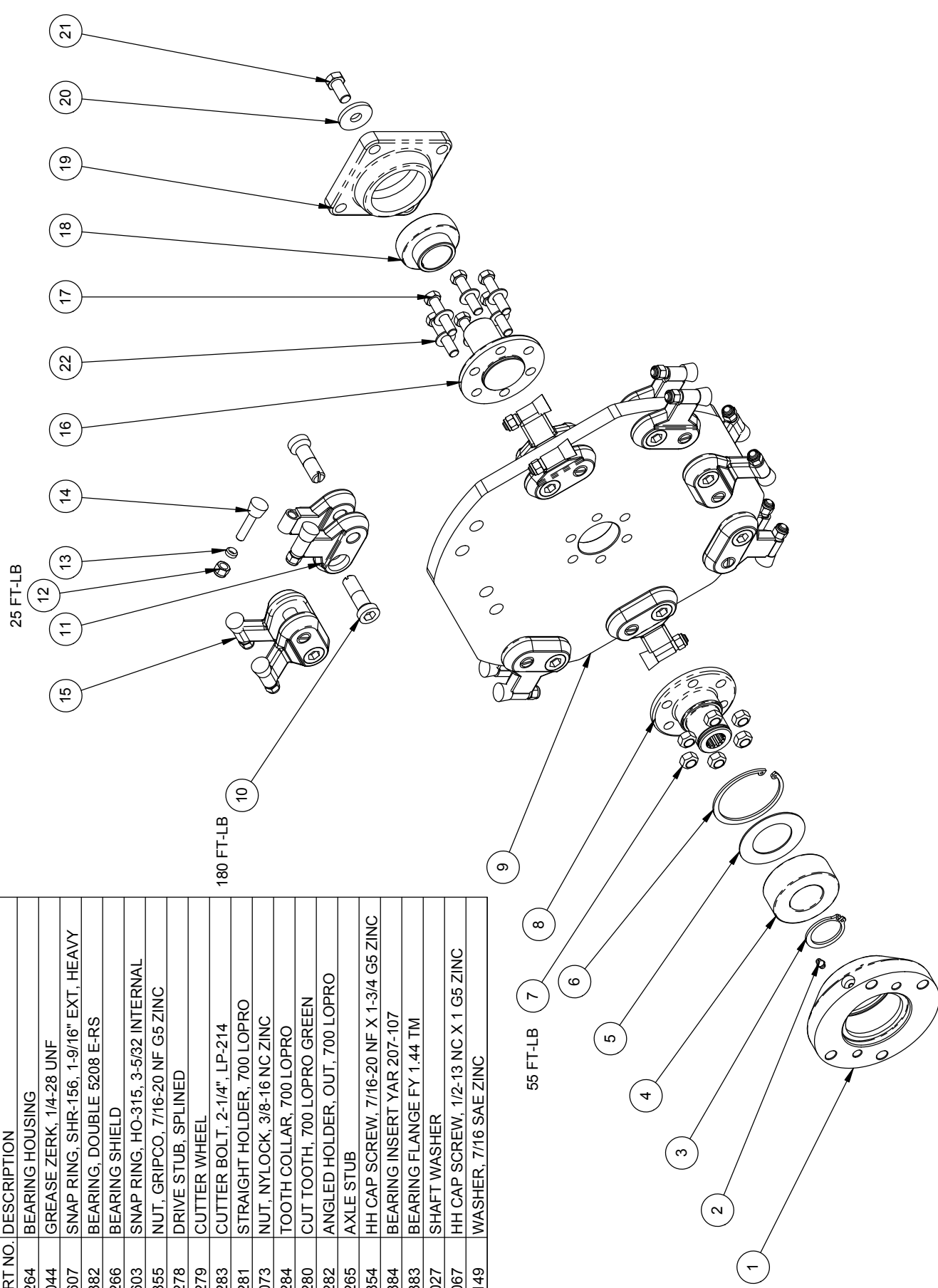
BARRETO

ITEM NO.	QTY.	PART NO.	DESCRIPTION
1	1	12264	BEARING HOUSING
2	1	05044	GREASE ZERK, 1/4-28 UNF
3	1	05607	SNAP RING, SHR-156, 1-9/16" EXT, HEAVY
4	1	12382	BEARING, DOUBLE 5208 E-RS
5	1	12266	BEARING SHIELD
6	1	05603	SNAP RING, HO-315, 3-5/32 INTERNAL
7	6	05355	NUT, GRIPCO, 7/16-20 NF G5 ZINC
8	1	12278	DRIVE STUB, SPLINED
9	1	12279	CUTTER WHEEL
10	16	12283	CUTTER BOLT, 2-1/4", LP-214
11	8	12281	STRAIGHT HOLDER, 700 LOPRO
12	16	05073	NUT, NYLOCK, 3/8-16 NC ZINC
13	16	12284	TOOTH COLLAR, 700 LOPRO
14	16	12280	CUT TOOTH, 700 LOPRO GREEN
15	8	12282	ANGLED HOLDER, OUT, 700 LOPRO
16	1	12265	AXLE STUB
17	6	05354	HH CAP SCREW, 7/16-20 NF X 1-3/4 G5 ZINC
18	1	12384	BEARING INSERT YAR 207-107
19	1	12383	BEARING FLANGE FY 1.44 TM
20	1	11027	SHAFT WASHER
21	1	05067	HH CAP SCREW, 1/2-13 NC X 1 G5 ZINC
22	6	05149	WASHER, 7/16 SAE ZINC

25 FT-LB

180 FT-LB

55 FT-LB



TITLE: CUT WHEEL ASSY

BARRETO

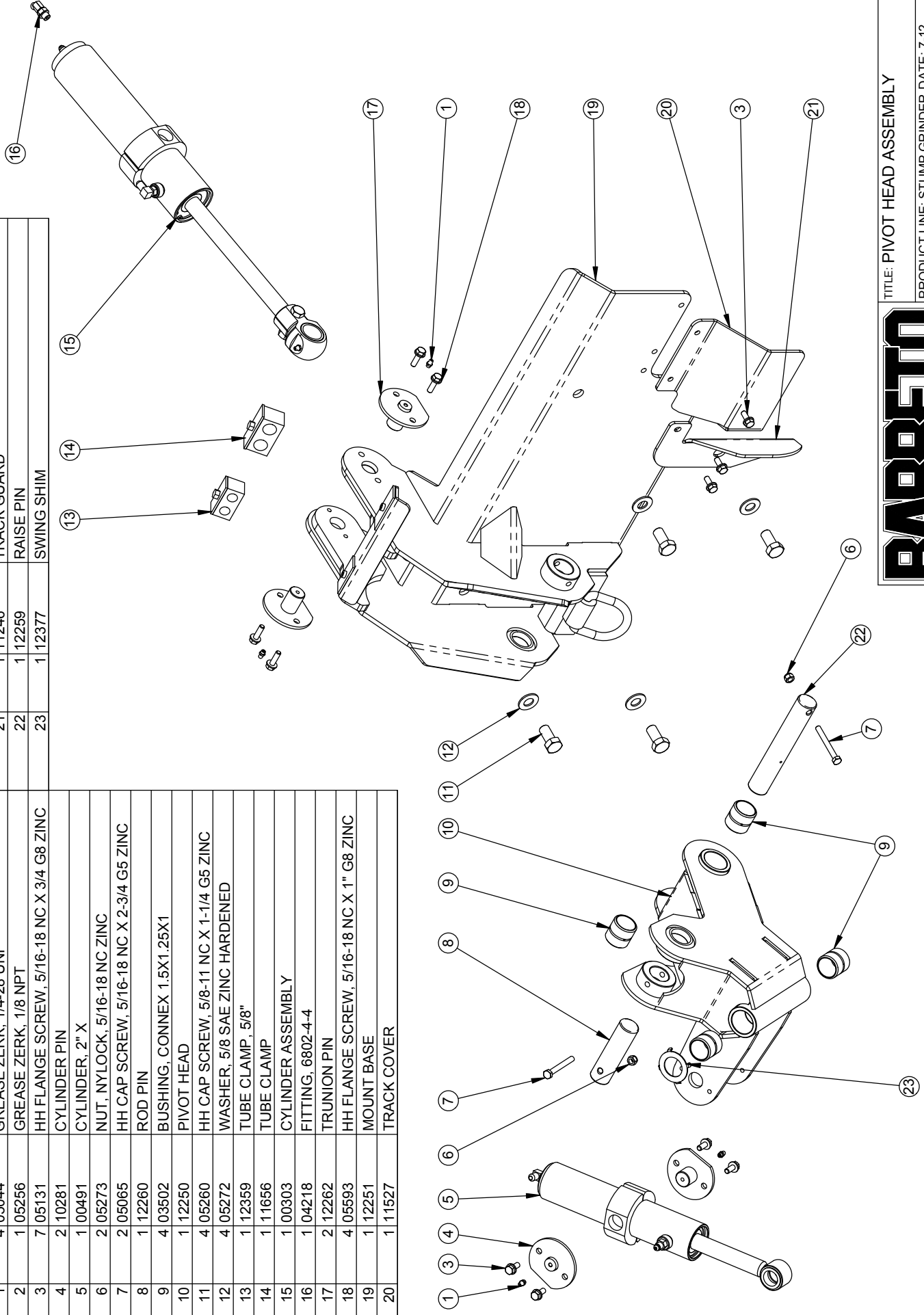
PRODUCT LINE: STUMP GRINDER DATE: 7/12

SCALE: 1:6

SHEET 1 OF 1

DWG# 00492

ITEM NO.	QTY.	PART NO.	DESCRIPTION	ITEM NO.	QTY.	PART NO.	DESCRIPTION
1	4	05044	GREASE ZERK, 1/4-28 UNF	21	1	11246	TRACK GUARD
2	1	05256	GREASE ZERK, 1/8 NPT	22	1	12259	RAISE PIN
3	7	05131	HH FLANGE SCREW, 5/16-18 NC X 3/4 G8 ZINC	23	1	12377	SWING SHIM
4	2	10281	CYLINDER PIN				
5	1	00491	CYLINDER, 2" X				
6	2	05273	NUT, NYLOCK, 5/16-18 NC ZINC				
7	2	05065	HH CAP SCREW, 5/16-18 NC X 2-3/4 G5 ZINC				
8	1	12260	ROD PIN				
9	4	03502	BUSHING, CONNEX 1.5X1.25X1				
10	1	12250	PIVOT HEAD				
11	4	05260	HH CAP SCREW, 5/8-11 NC X 1-1/4 G5 ZINC				
12	4	05272	WASHER, 5/8 SAE ZINC HARDENED				
13	1	12359	TUBE CLAMP, 5/8"				
14	1	11656	TUBE CLAMP				
15	1	00303	CYLINDER ASSEMBLY				
16	1	04218	FITTING, 6802-4-4				
17	2	12262	TRUNION PIN				
18	4	05593	HH FLANGE SCREW, 5/16-18 NC X 1" G8 ZINC				
19	1	12251	MOUNT BASE				
20	1	11527	TRACK COVER				



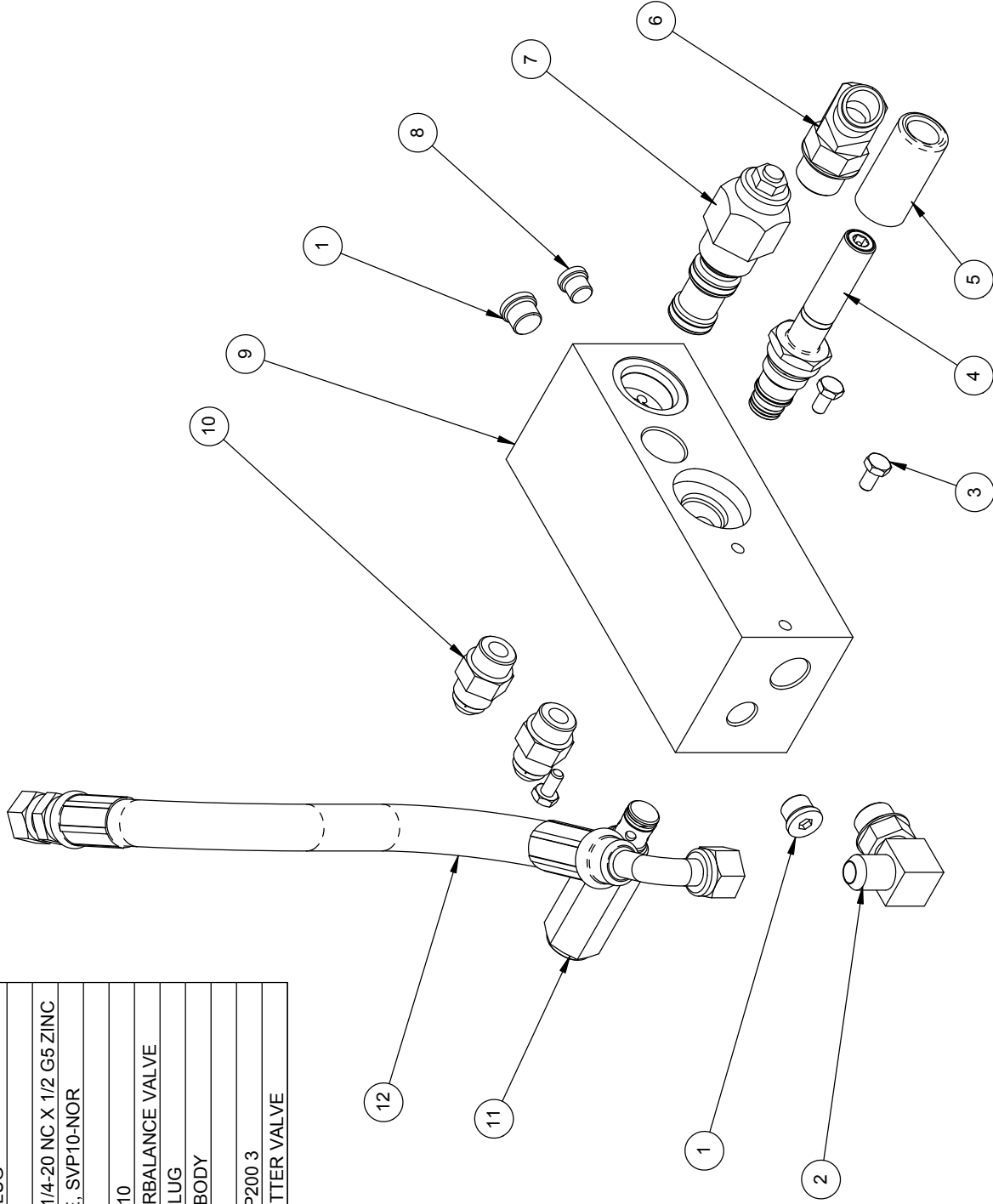
TITLE: PIVOT HEAD ASSEMBLY

BARRETO

PRODUCT LINE: STUMP GRINDER DATE: 7-12

SCALE: 1:8 SHEET 1 OF 1 DWG# 00494

ITEM NO.	QTY.	PART NO.	DESCRIPTION
1	2	03302	FITTING, 6409-6 PLUG
2	1	04554	FITTING, 6801-8-8
3	3	05557	HH CAP SCREW, 1/4-20 NC X 1/2 G5 ZINC
4	1	04028	SOLENOID VALVE, SVP10-NOR
5	1	04028-COIL	SOLENOID COIL
6	1	10363	FITTING, 4603-12-10
7	1	04023	CP441-1 COUNTERBALANCE VALVE
8	1	03300	FITTING, 6409-4 PLUG
9	1	12313	GRINDER VALVE BODY
10	2	04520	FITTING, 6400-8-8
11	1	04024	RELIEF VALVE, CP200 3
12	1	12358	HOSE, PUMP / CUTTER VALVE



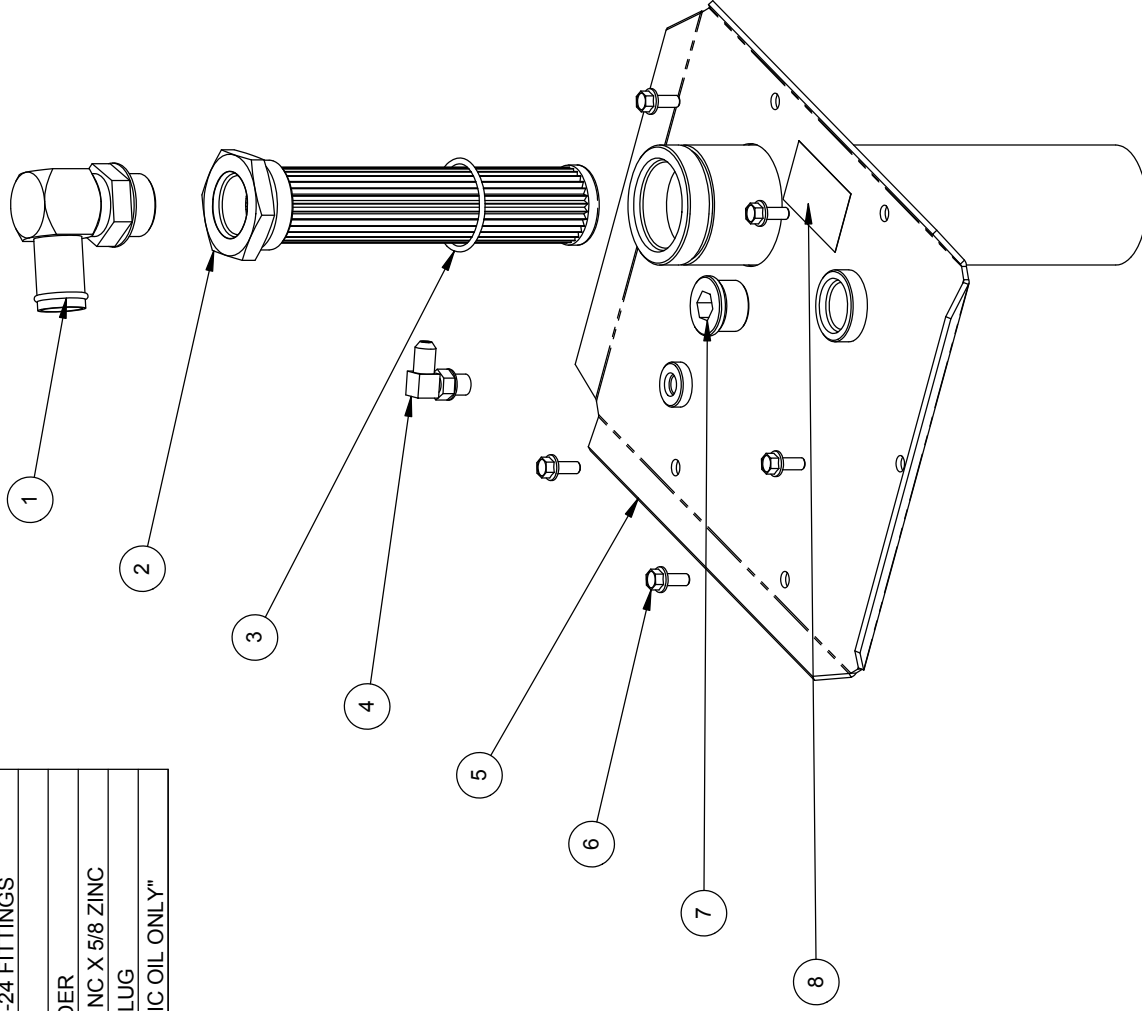
TITLE: CUTTER VALVE



PRODUCT LINE: STUMP CUTTER DATE: 12-12

SCALE: 1:3 SHEET 1 OF 1 DWG# 00495

ITEM NO.	QTY.	PART NO.	DESCRIPTION
1	1	10395	FITTING, 4601-16-16
2	1	10636	SUMP SCREEN, #24 EXT #16 INT O-RING
3	1	03292	O-RING, 3-924N90, -24 FITTINGS
4	1	04555	FITTING, 6801-4-4
5	1	12352	LID, STUMP GRINDER
6	6	05069	WHIZ LOCK, 1/4-20 NC X 5/8 ZINC
7	1	10526	FITTING, 6409-12 PLUG
8	1	03040-06	DECAL, "HYDRAULIC OIL ONLY"



TITLE: LID ASSEMBLY

PRODUCT LINE: STUMP GRINDER DATE: 7-12

SCALE: 1:4 DWG# 00499

SHEET 1 OF 1

BARRETO